

4

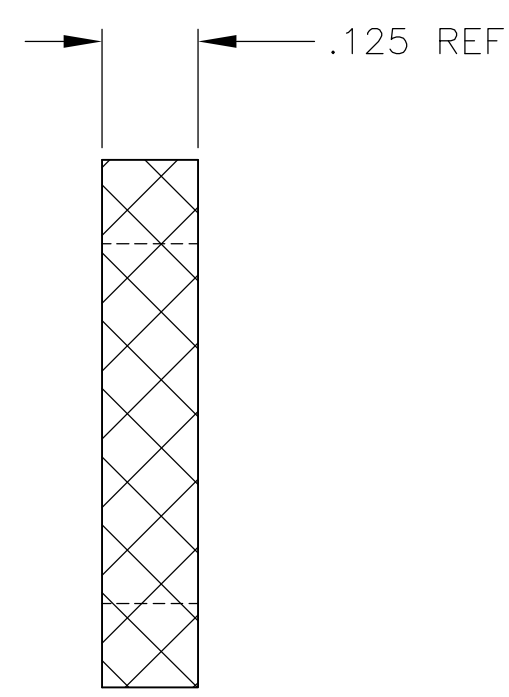
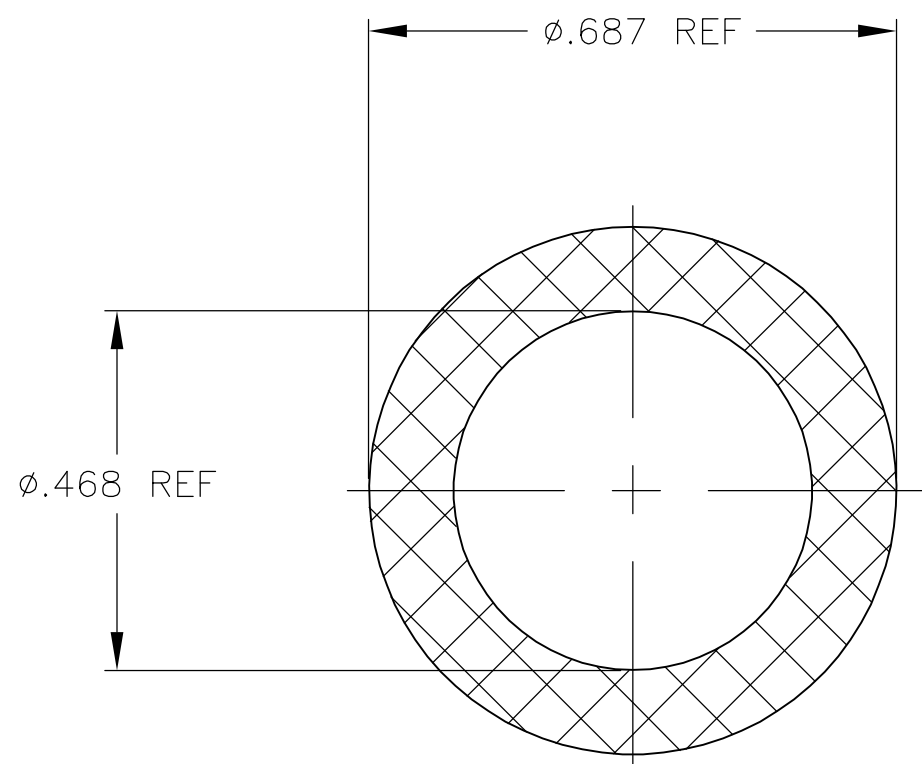
3

2

1

THIS DRAWING IS UNPUBLISHED. RELEASED FOR PUBLICATION
 © COPYRIGHT - BY TYCO ELECTRONICS CORPORATION. ALL RIGHTS RESERVED.

LOC	DIST	REVISIONS			
P	LTR	DESCRIPTION	DATE	DWN	APVD
DF	S0	0	RELEASED	8-12-04	CT DE



836783-1
 PART NUMBER

THIS DRAWING IS A CONTROLLED DOCUMENT.		DWN C.C.THOMAS 12AUG04	Tyco Electronics Corporation Harrisburg, Pa 17105-3608		
DIMENSIONS: INCHES		CHK D.EABY 8-12-04			
		APVD D.EABY 8-12-04	NAME EMI WIRE MESH GASKET		
TOLERANCES UNLESS OTHERWISE SPECIFIED: 0 PLC ± - 1 PLC ± - 2 PLC ± - 3 PLC ± - 4 PLC ± - ANGLES ± - FINISH -		PRODUCT SPEC -	RESTRICTED TO -		
MATERIAL MONEL PER QQ-N-281 CLASS A AMS 4730		APPLICATION SPEC -	SIZE A3	CAGE CODE 00779	DRAWING NO C-836783
CUSTOMER DRAWING			SCALE 4:1	SHEET 1 OF 1	REV 0