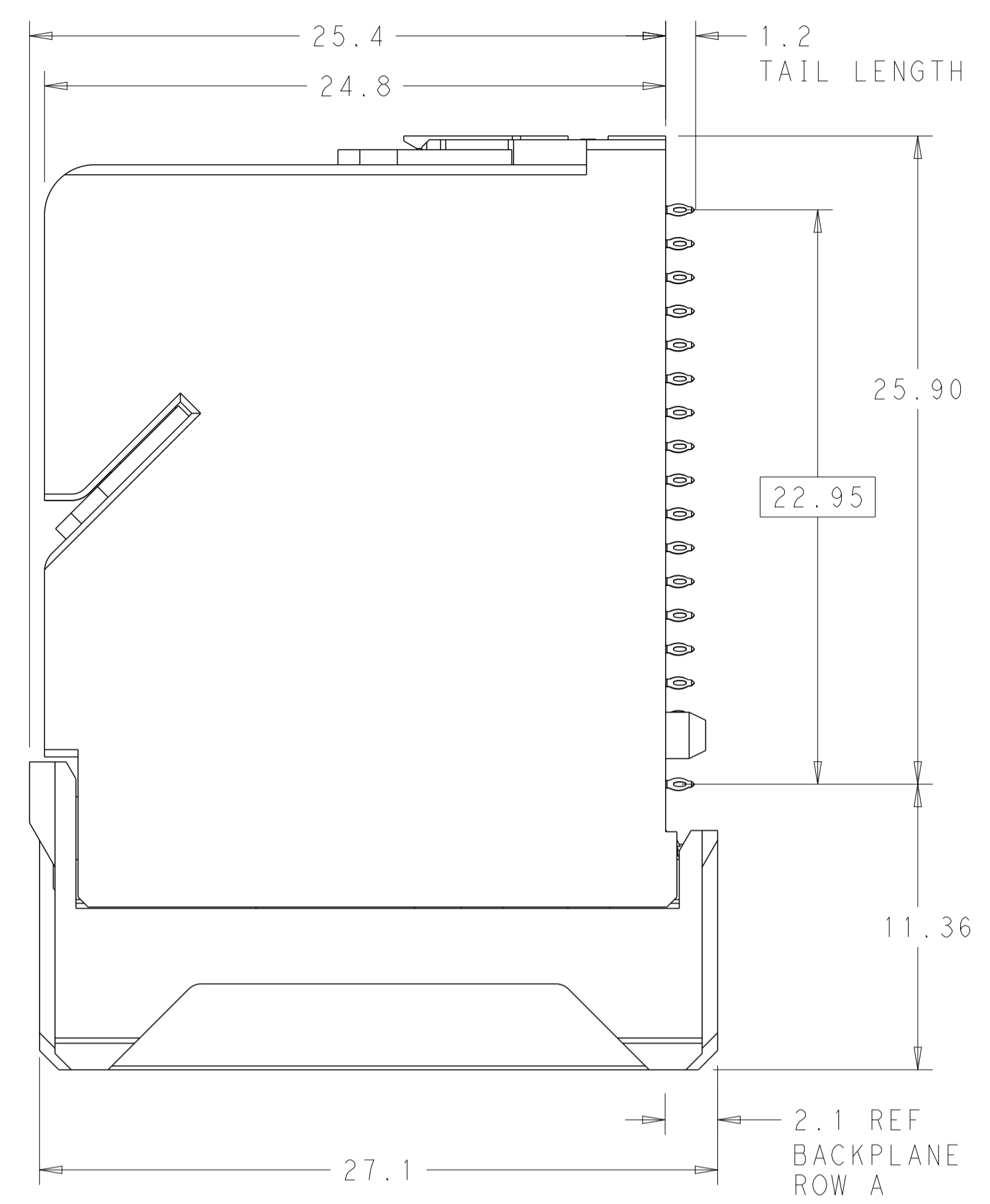
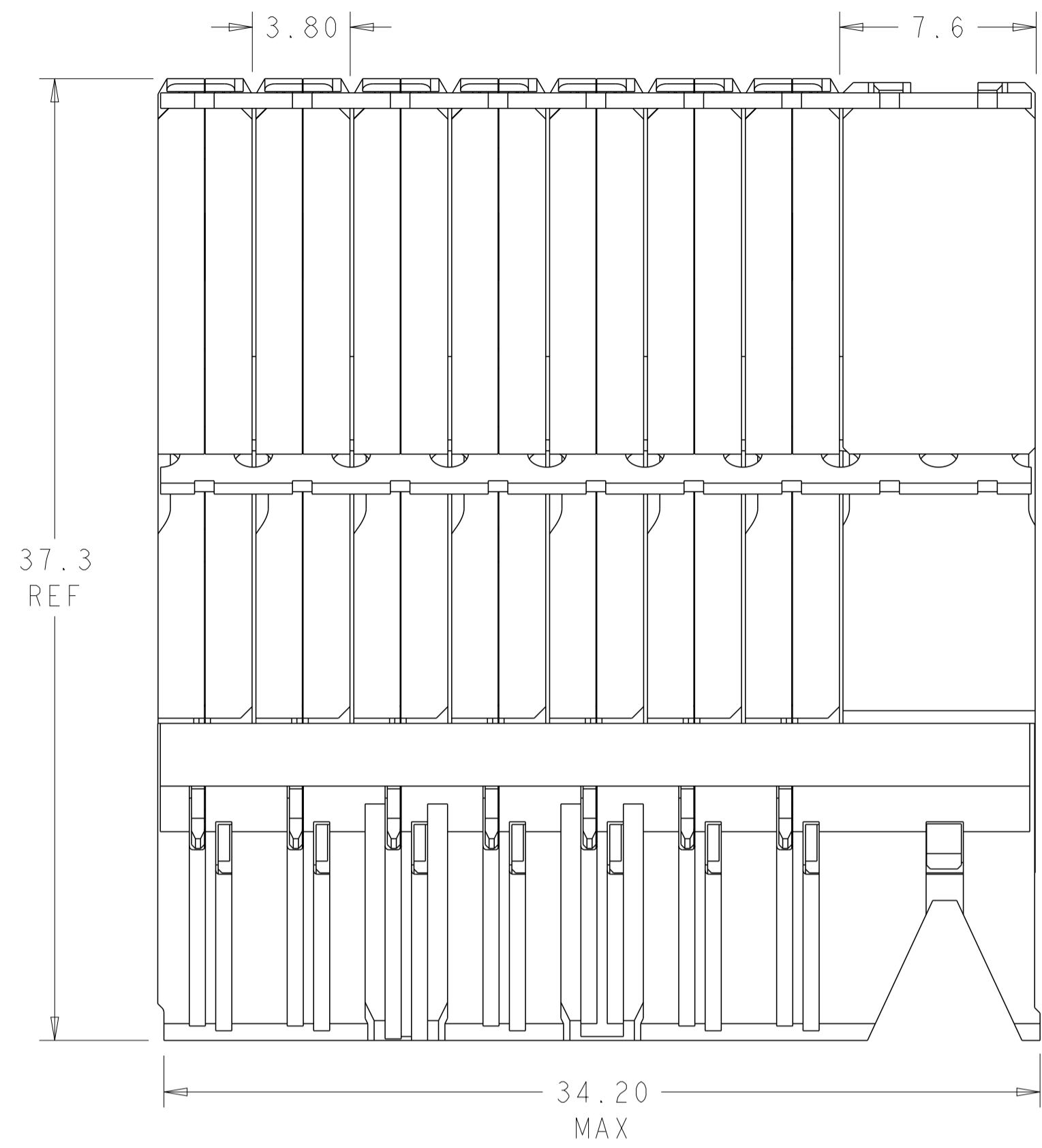
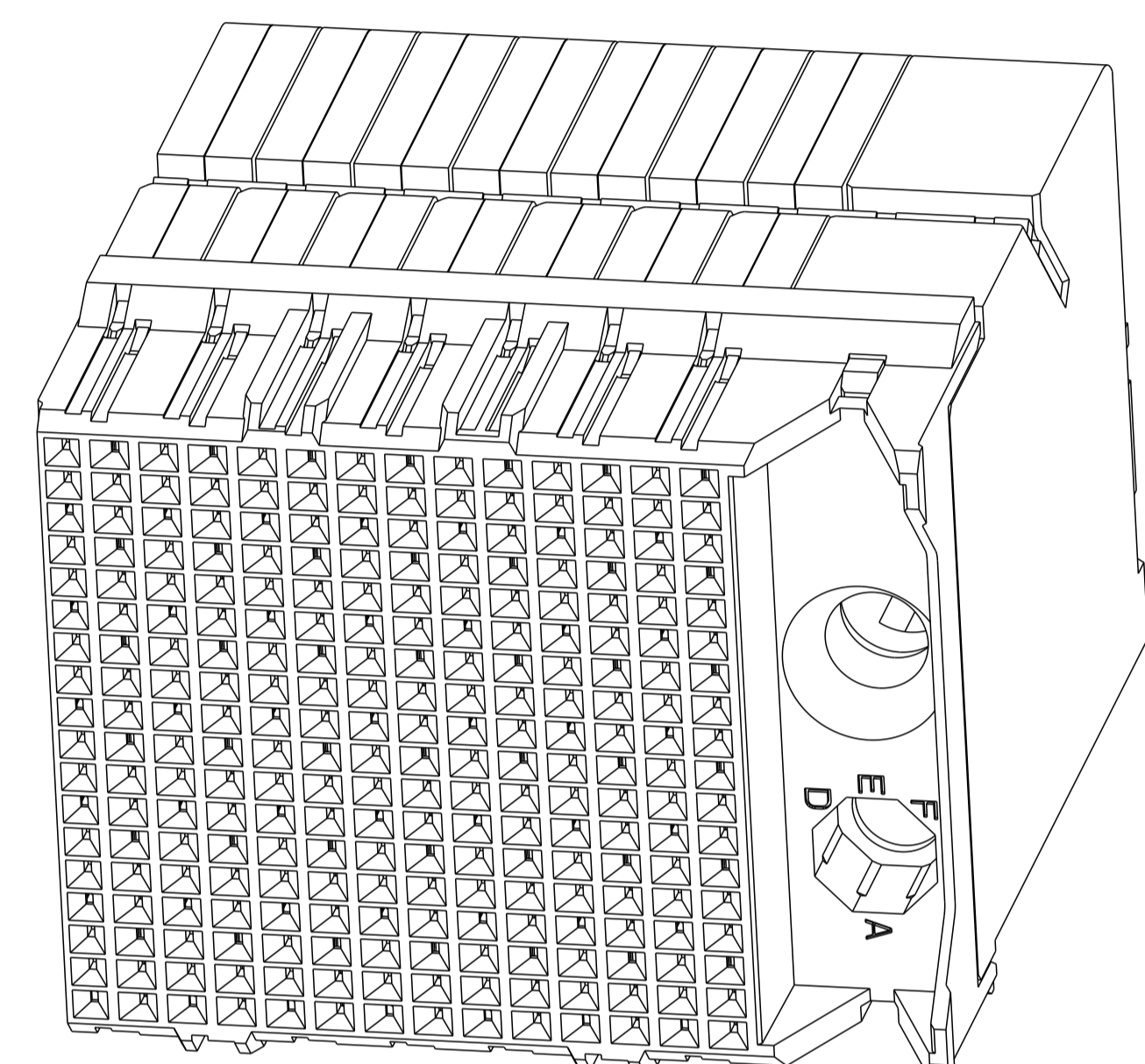


REVISIONS				
P	LTN	DESCRIPTION	DATE	APVD
E		REVISED PER ECO-15-012351	03SEP2015	AP SY

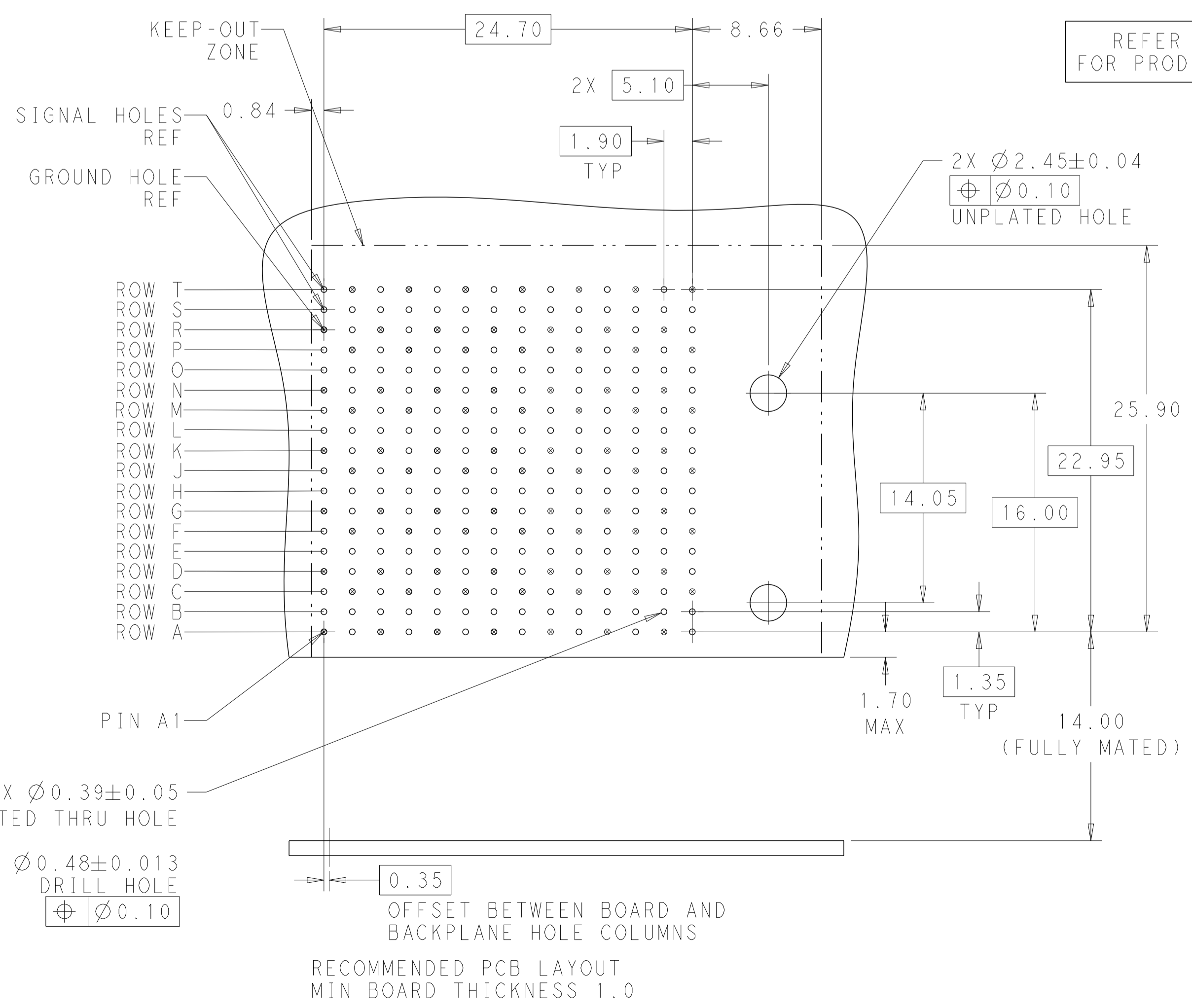
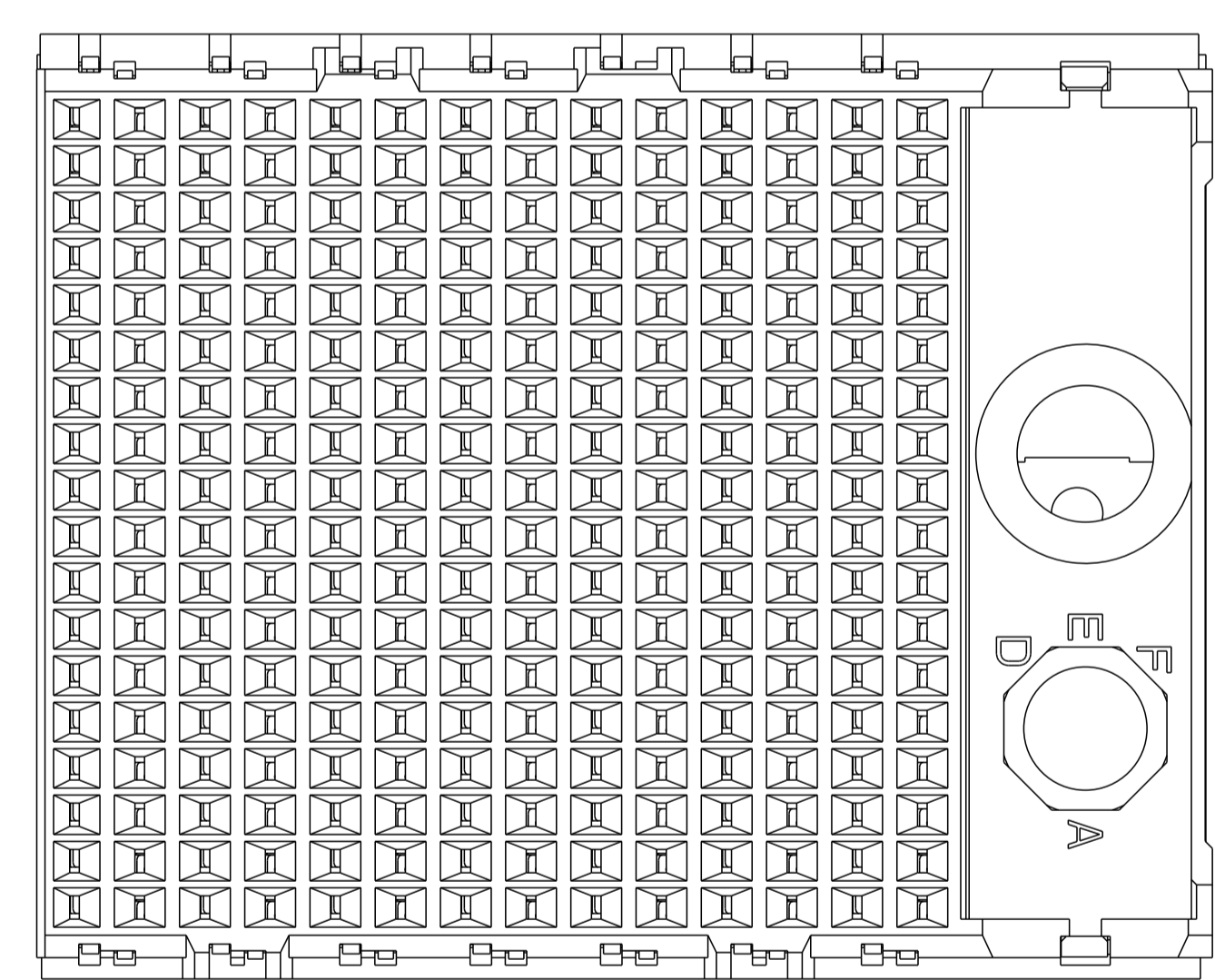


- ⚠ MATERIAL:  
HOUSING: LCP, GLASS FILLED, UL94V-0.  
TERMINALS: HIGH PERFORMANCE COPPER ALLOY.
- ⚠ FINISH:  
30µ" SELECTIVE GOLD IN CONTACT AREA. SELECTIVE TIN ON PCB TAILS, NICKEL OVERALL.
- 3. CONNECTORS SUPPLIED WITH MOUNTING SCREWS



SCALE 4:1

REFER TO WWW.TE.COM FOR PRODUCT AVAILABILITY



KEY POSITION CHART	
	NONE
	A
	B
	C
	D
	E
	F
	G
	H

252X Ø0.39±0.05 PLATED THRU HOLE  
 252X Ø0.48±0.013 DRILL HOLE  
 Ø0.10

KEY POSITION	FINISH	PART NUMBER
H	⚠	8-2057990-1
G	⚠	7-2057990-1
F	⚠	6-2057990-1
E	⚠	5-2057990-1
D	⚠	4-2057990-1
C	⚠	3-2057990-1
B	⚠	2-2057990-1
A	⚠	1-2057990-1
NONE	⚠	2057990-1

THIS DRAWING IS A CONTROLLED DOCUMENT.

DIMENSIONS:	TOLERANCES UNLESS OTHERWISE SPECIFIED:	OWN: B. CARBO 19AUG2010	NAME: IMPACT, STD, R/A, 6 PAIR, 14 COLUMN, DAUGHTERCARD, RIGHT GUIDED SIGNAL MODULE, 0.39 EYELET
mm	0 PLC ±0.2	CHK: D. DIXON 19AUG2010	SIZE: CAGE CODE DRAWING NO
	1 PLC ±0.10	APVD: D. DIXON 19AUG2010	RESTRICTED TO
	3 PLC ±0.10	PRODUCT SPEC	WEIGHT
	4 PLC ±0.10	APPLICATION SPEC	SCALE 5:1
MATERIAL	ANGLES	SIZE	SHEET 1 OF 1
FINISH	SEE TABLE	WEIGHT	REV E
		Customer Drawing	