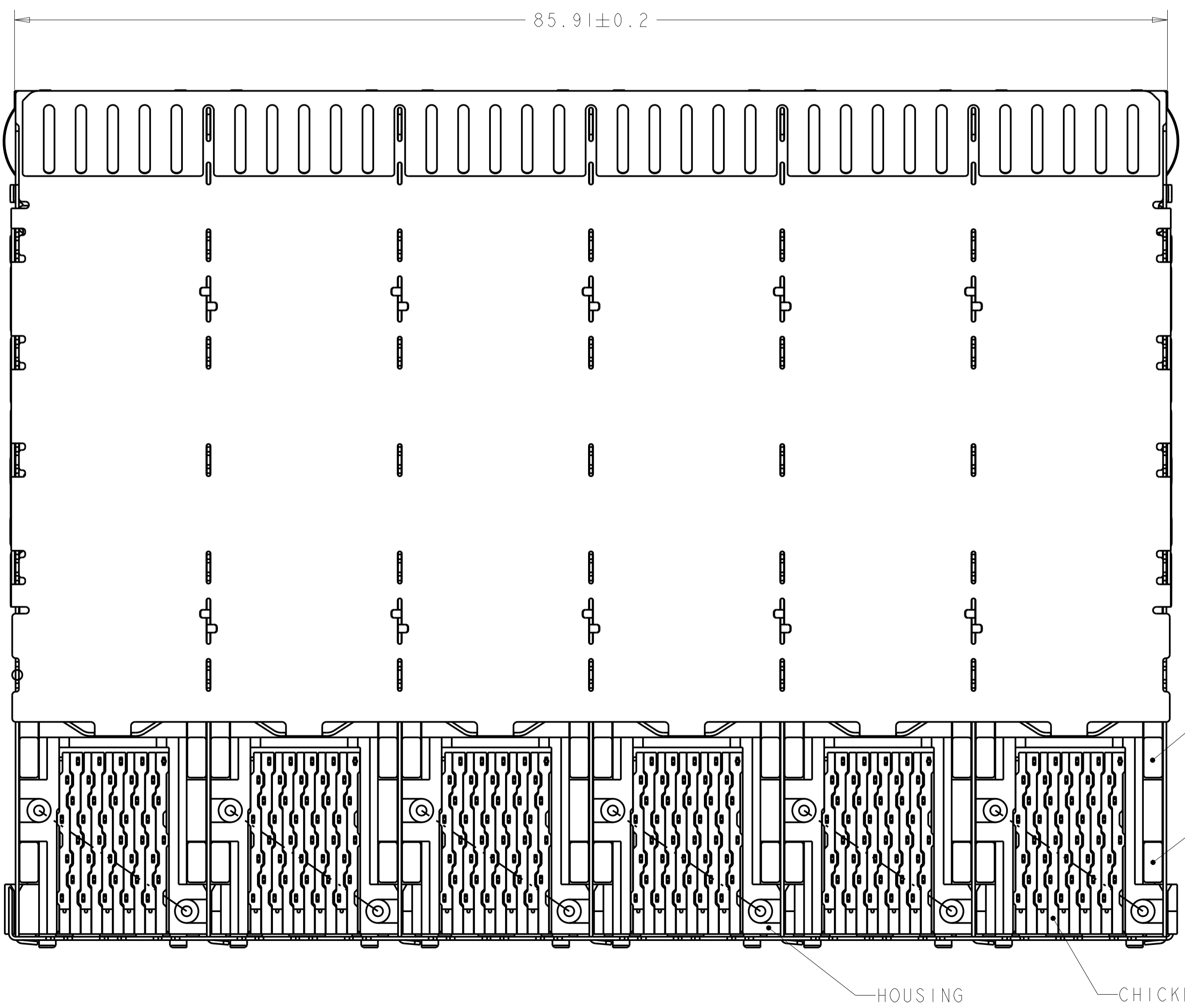
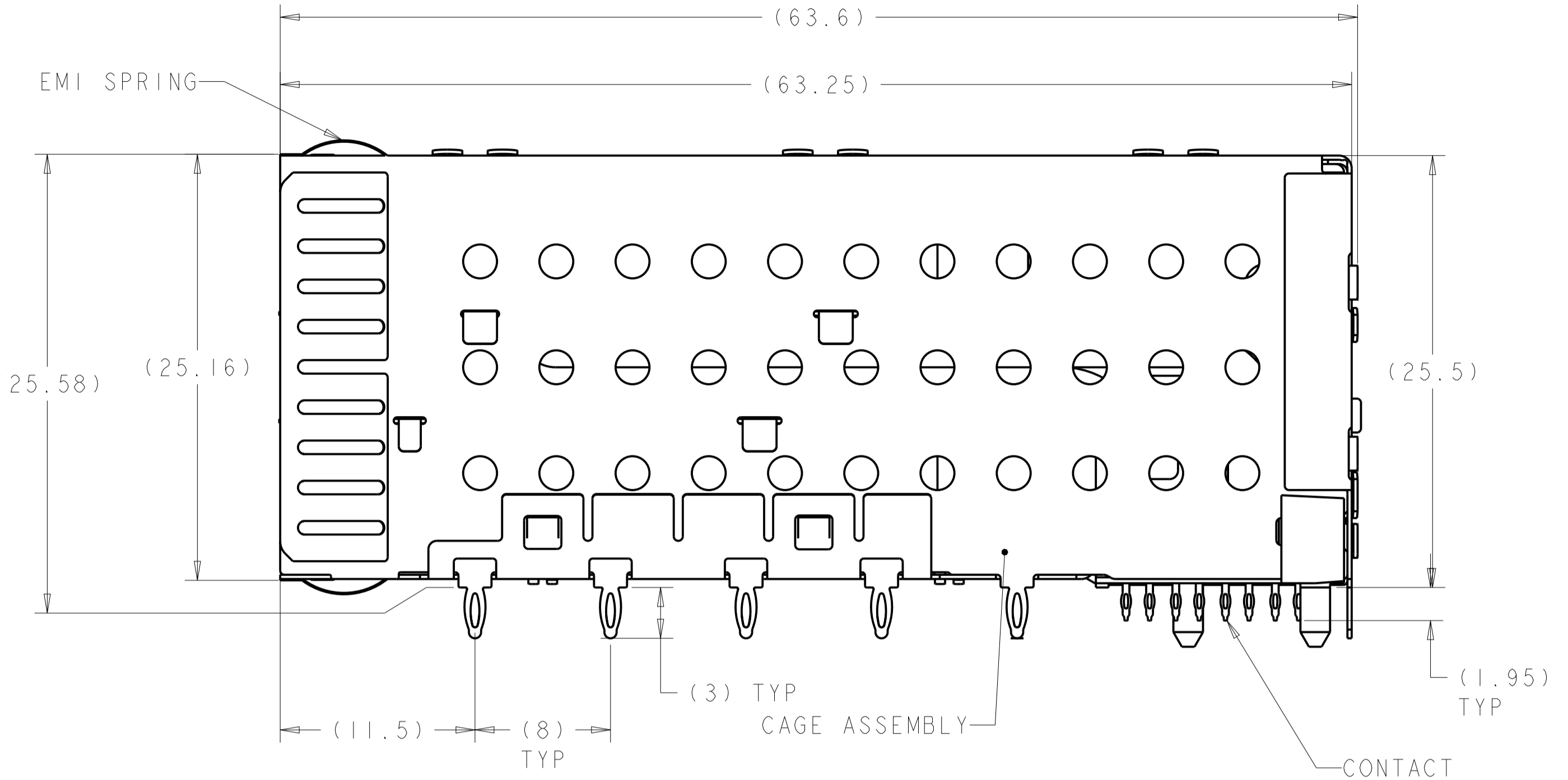
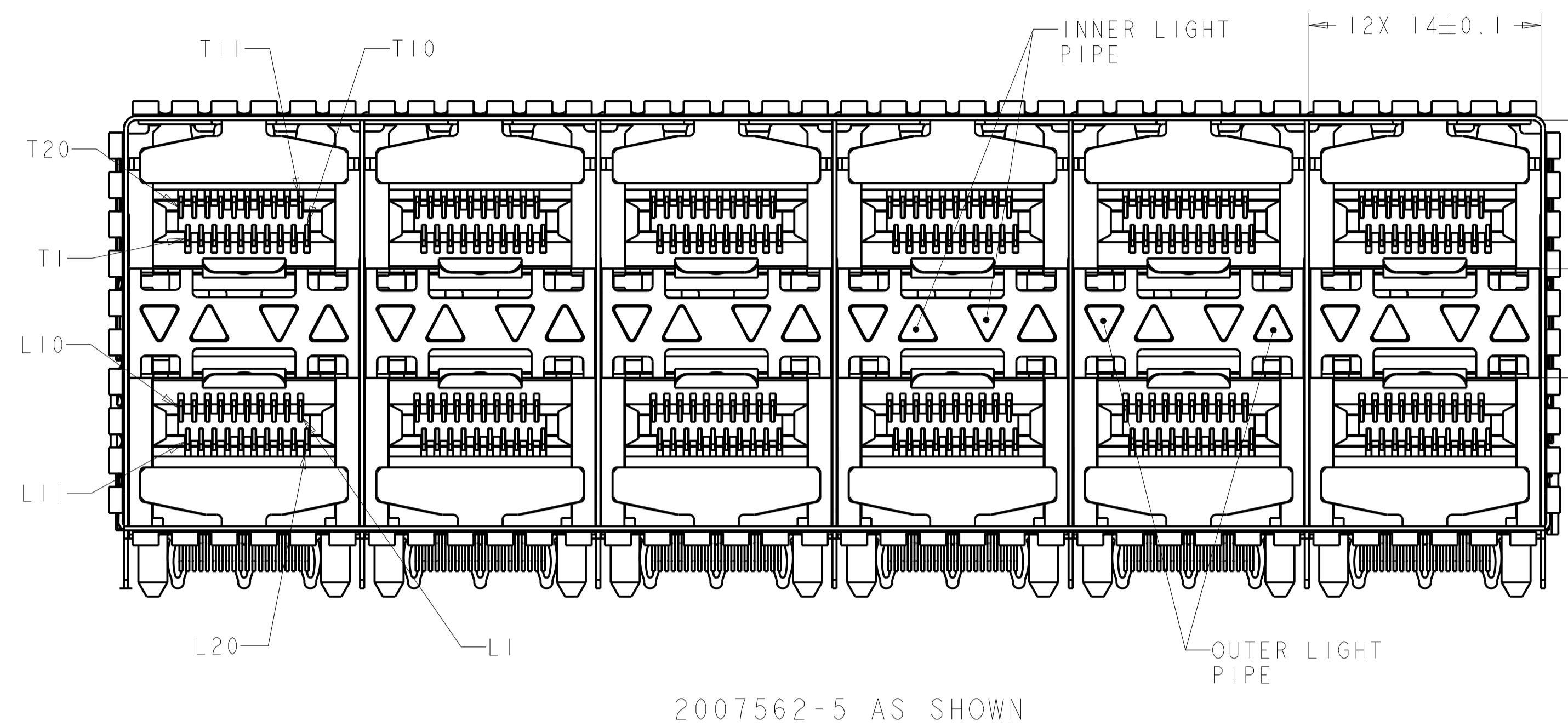


LOC	DIST	REVISIONS			
GP	00	REV	DATE	BY	APPV
		D	04APR2016	AP	RP
		E	06SEP2018	IT	SH
		E1	28AUG2020	IT	SH



- △ MATERIALS:
 CAGE ASSEMBLY- NICKEL SILVER ALLOY PER ASTM B 122.
 EMI SPRING- COPPER ALLOY.
 HOUSING- BLACK LCP, UL 94V-0 RATED.
 CHICKLET- BLACK LCP, UL 94V-0 RATED.
 LIGHT PIPE- POLYCARBONATE, CLEAR.
 INSERT- LCP, BLACK, UL 94V-0.
 CONTACT- COPPER ALLOY.
- △ DATUM AND BASIC DIMENSIONS ESTABLISHED BY CUSTOMER.
- 3. MINIMUM PCB THICKNESS OF 1.5.
- △ CONTACT FINISH- CONFORMS TO THE REQUIREMENTS OF TYCO ELECTRONICS PRODUCT SPECIFICATION 108-2331, BASED ON EIA/ECA-364-1000.01A, (CONTROLLED ENVIRONMENT APPLICATIONS) ON MATING INTERFACE, TIN-LEAD ON NEEDLE EYE.
- △ CONTACT FINISH- CONFORMS TO THE REQUIREMENTS OF TYCO ELECTRONICS PRODUCT SPECIFICATION 108-2331 BASED ON EIA/ECA-364-1000.01A, (CONTROLLED ENVIRONMENT APPLICATIONS) ON MATING INTERFACE, TIN ON NEEDLE EYE.

- △ FOR HOLE SIZE AND PLATINGS, SEE APPLICATION SPEC 114-13219.
- △ THE ENTIRE AREA OF THE CONNECTOR FOOTPRINT, INDICATED BY THE DASHED LINE, TO BE CONSIDERED THE KEEPOUT AREA FOR COMPONENTS AND SIGNAL TRACES, TOP SIDE ONLY. TOP SIDE TRACES ALLOWED WITHIN CONNECTOR HOLE PATTERN.
- △ LIGHT PIPE PAD LAYOUT IS FOR 0805 LOW PROFILE LED PACKAGE WITH A HEIGHT OF 0.8mm.
- △ EMI SPRING FINISH: 0.8µm MINIMUM MATTE TIN OVER 0.8µm MINIMUM NICKEL, NONPLATED EDGES PERMISSIBLE.
- △ ADDITIONAL COMPONENT LOCATED WITHIN LATCH PLATE FOR EMI SUPPRESSION.
- △ CAGE ASSEMBLY FINISH: NICKEL PLATING 1.27UM MIN ALL OVER, EDGE EXPOSED ARE ALLOWED. CONTACT FINISH: CONFORMS TO THE REQUIREMENTS OF TYCO ELECTRONICS PRODUCT SPECIFICATION 108-2331 BASED ON EIA/ECA-364-1000.01A, (CONTROLLED ENVIRONMENT APPLICATIONS) ON MATING INTERFACE, TIN ON NEEDLE EYE.

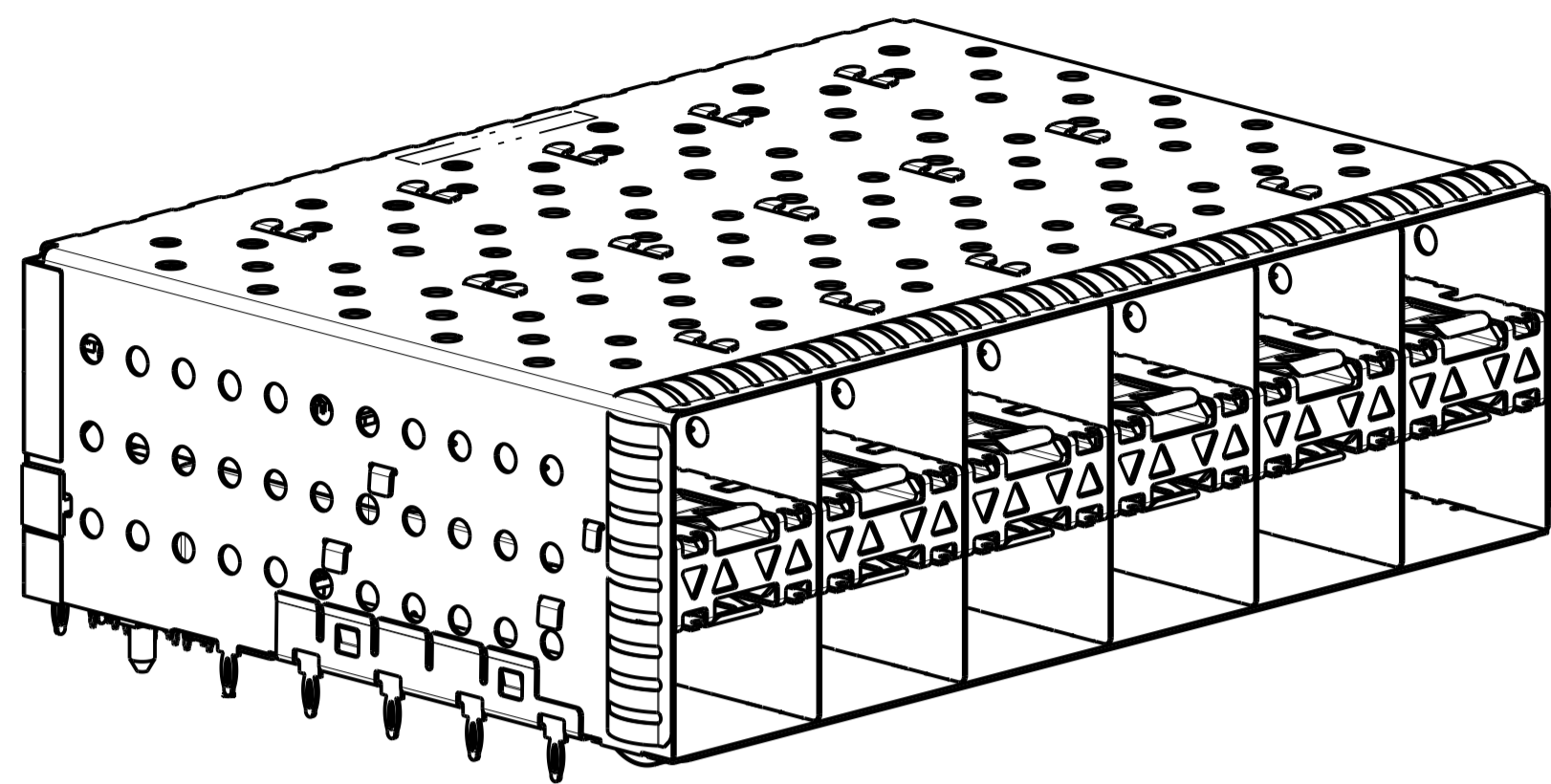
NO	△	DESCRIPTION	PART NUMBER
	△	NO LIGHT PIPES	2-2007562-8
	△	INNER 2 LIGHT PIPES	1-2007562-9
YES	△	NO LIGHT PIPES	1-2007562-8
	△	OUTER 2 LIGHT PIPES	1-2007562-7
	△	INNER 2 LIGHT PIPES	1-2007562-6
	△	4 LIGHT PIPES	1-2007562-5
NO	△	NO LIGHT PIPES	2007562-8
	△	OUTER 2 LIGHT PIPES	2007562-7
	△	INNER 2 LIGHT PIPES	2007562-6
	△	4 LIGHT PIPES	2007562-5
ENHANCED EMI	FINISH	DESCRIPTION	PART NUMBER

THIS DRAWING IS A CONTROLLED DOCUMENT. DIMENSIONING AND TOLERANCING PER: ASME Y14.5M-2009. DIMENSIONS: mm. TOLERANCES UNLESS OTHERWISE SPECIFIED: 0 PLC ±0.10, 1 PLC ±0.10, 2 PLC ±0.10, 3 PLC ±0.10, 4 PLC ±0.10, ANGLES ±°. FINISH: △ 4 △ 5 △ 9.

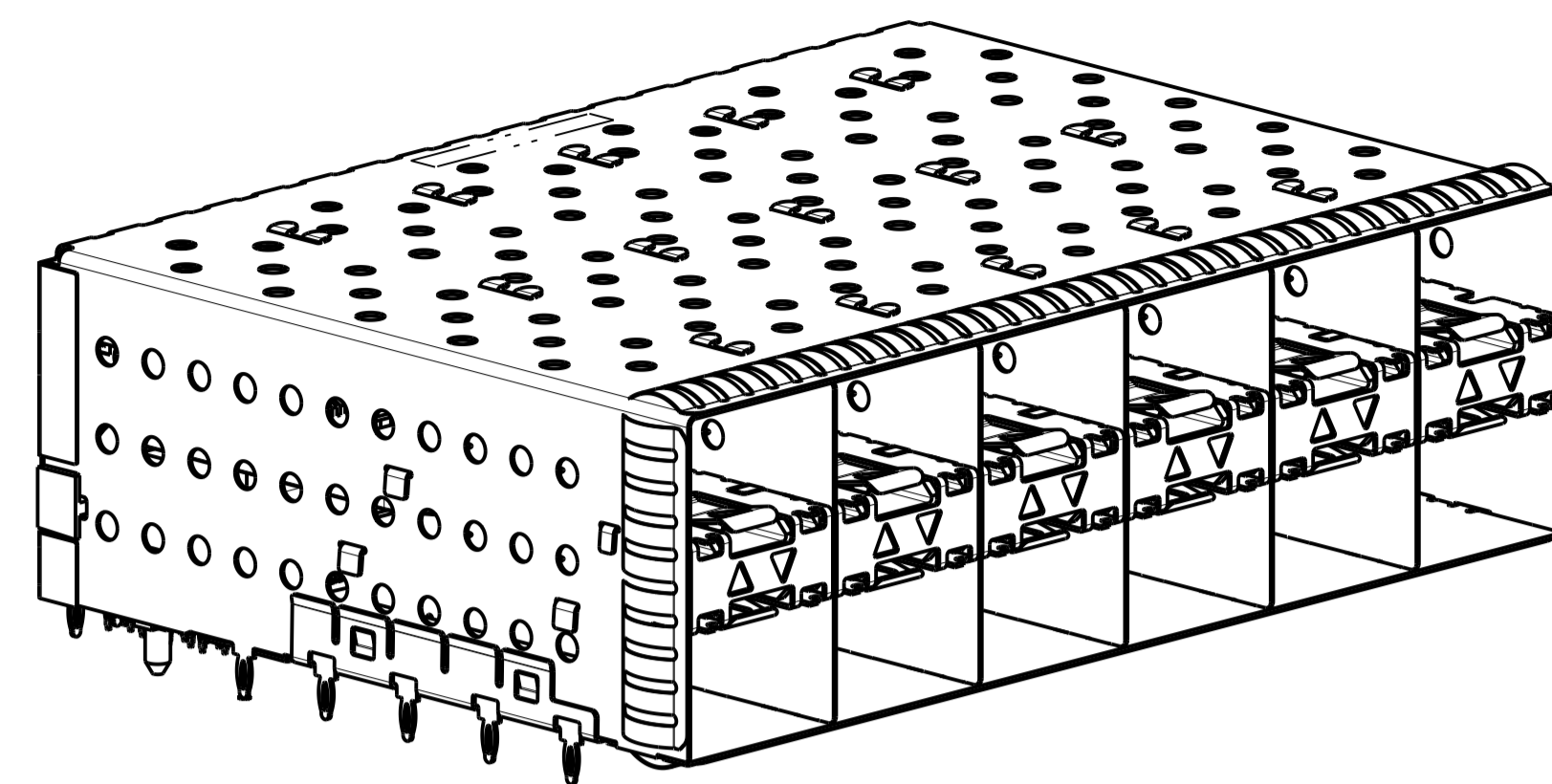
APPROVED: D. SZCZESNY, 14JAN2008. PRODUCT SPEC: 108-2331. APPLICATION SPEC: 114-13219. WEIGHT: . CUSTOMER DRAWING. SCALE: 4:1. SHEET 1 OF 4. REV E1.

STE TE Connectivity
 NAME: CAGE AND PT CONNECTOR ASSEMBLY, WITH EMI SPRINGS, PRESS FIT, 2X6, STACKED SFP+
 SIZE: CAGE CODE DRAWING NO: A100779, DRAWING NO: C=2007562

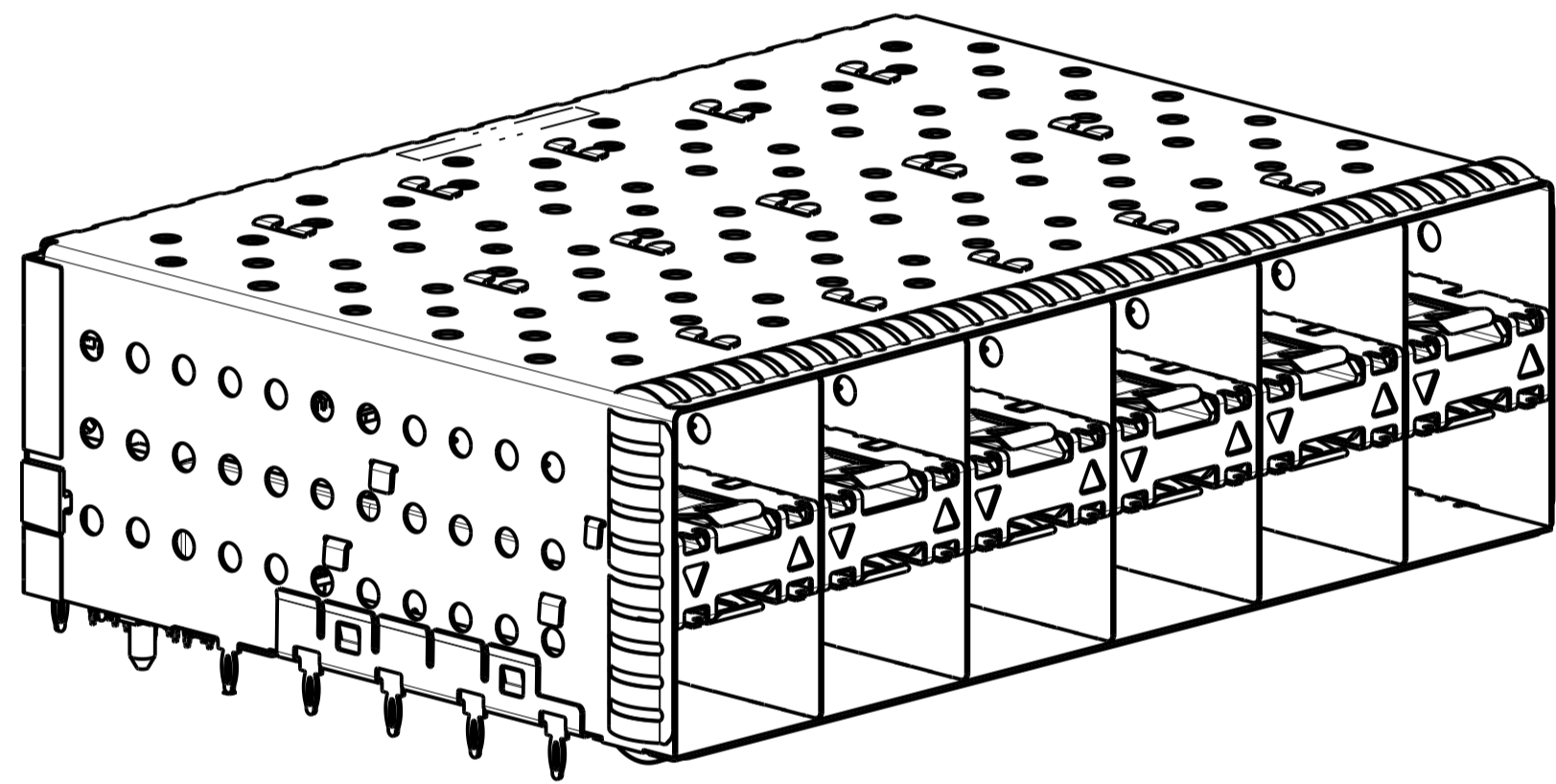
LOC	DIST	REV	DATE	BY	APPV
		1			
		2			
		3			
		4			



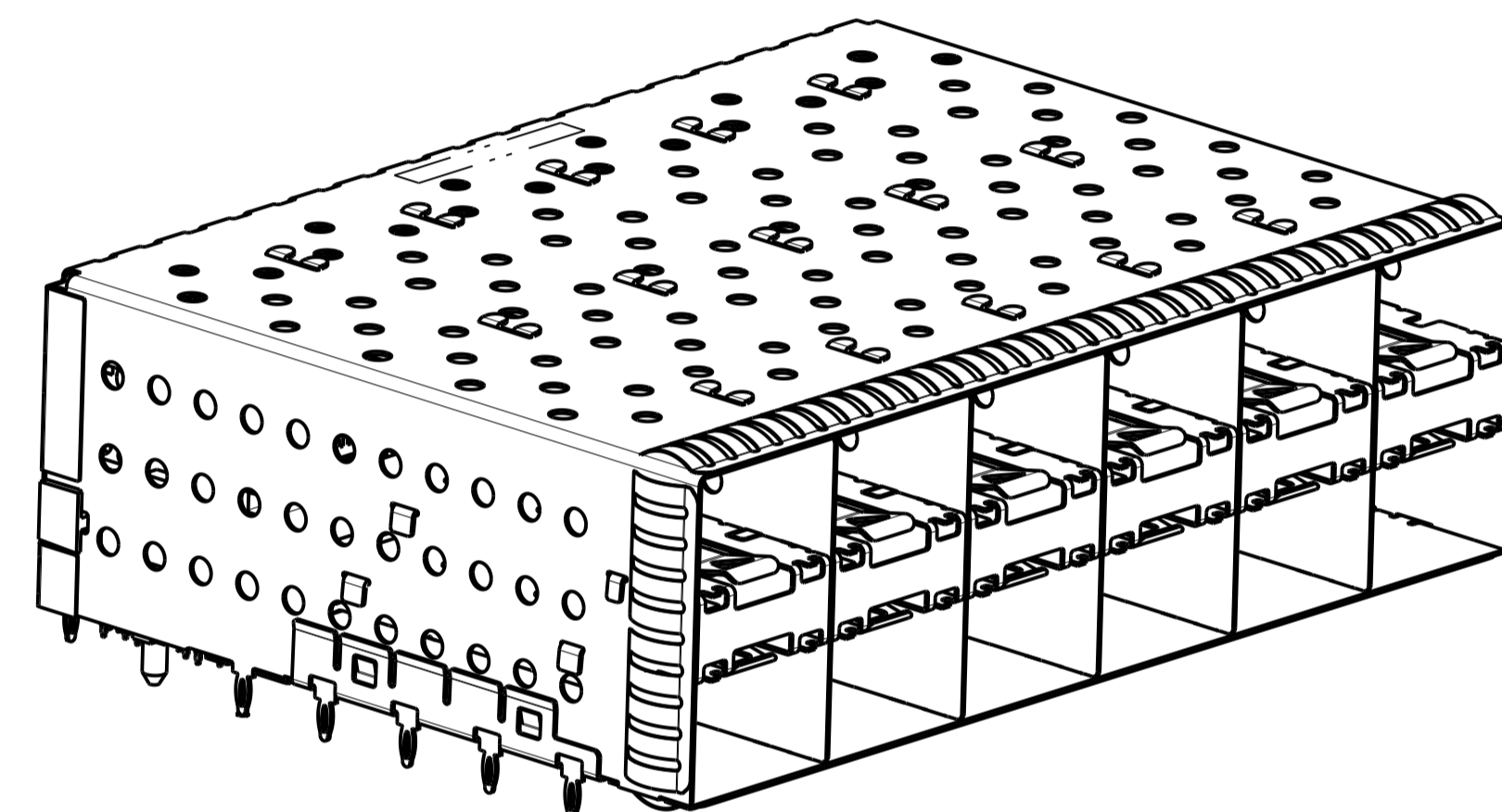
2007562-5 AND 1-2007562-5
 SCALE 2:1



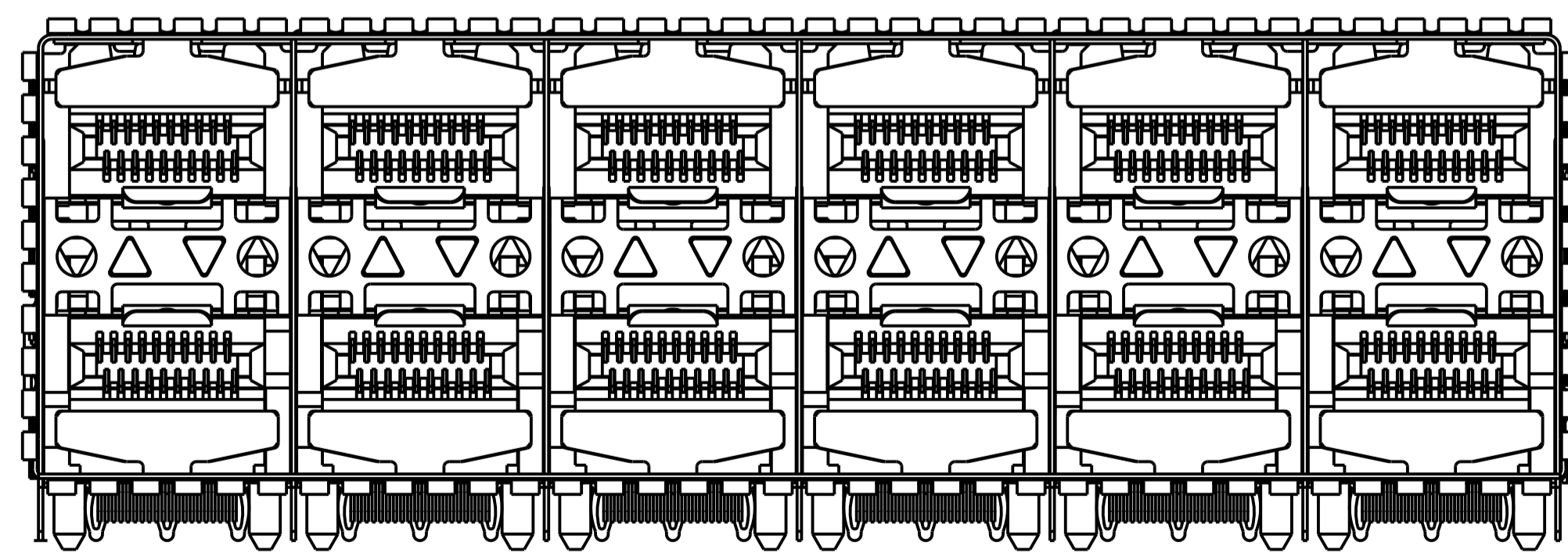
2007562-6 AND 1-2007562-6
 SCALE 2:1



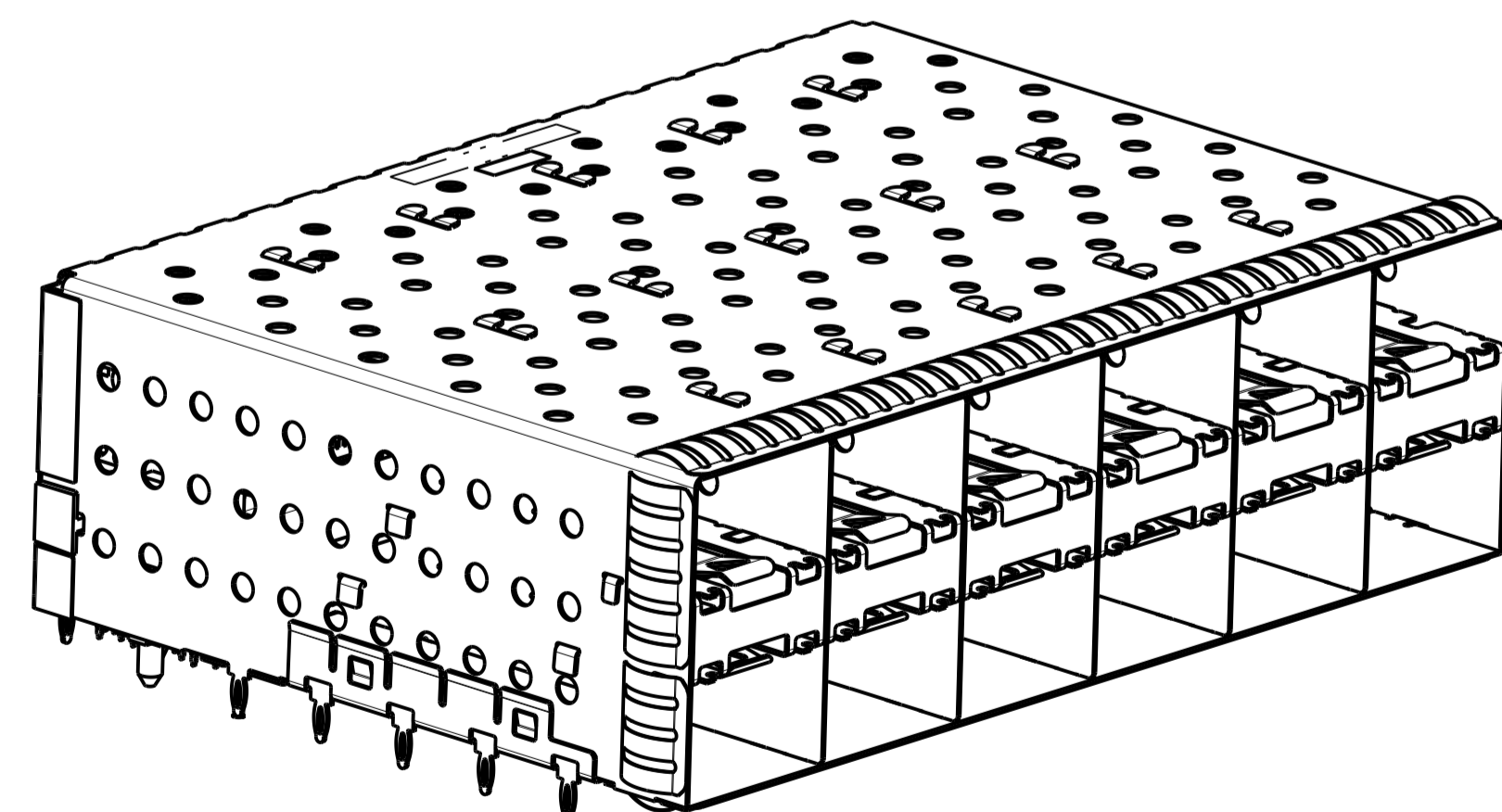
2007562-7 AND 1-2007562-7
 SCALE 2:1



2007562-8 AND 1-2007562-8
 SCALE 2:1



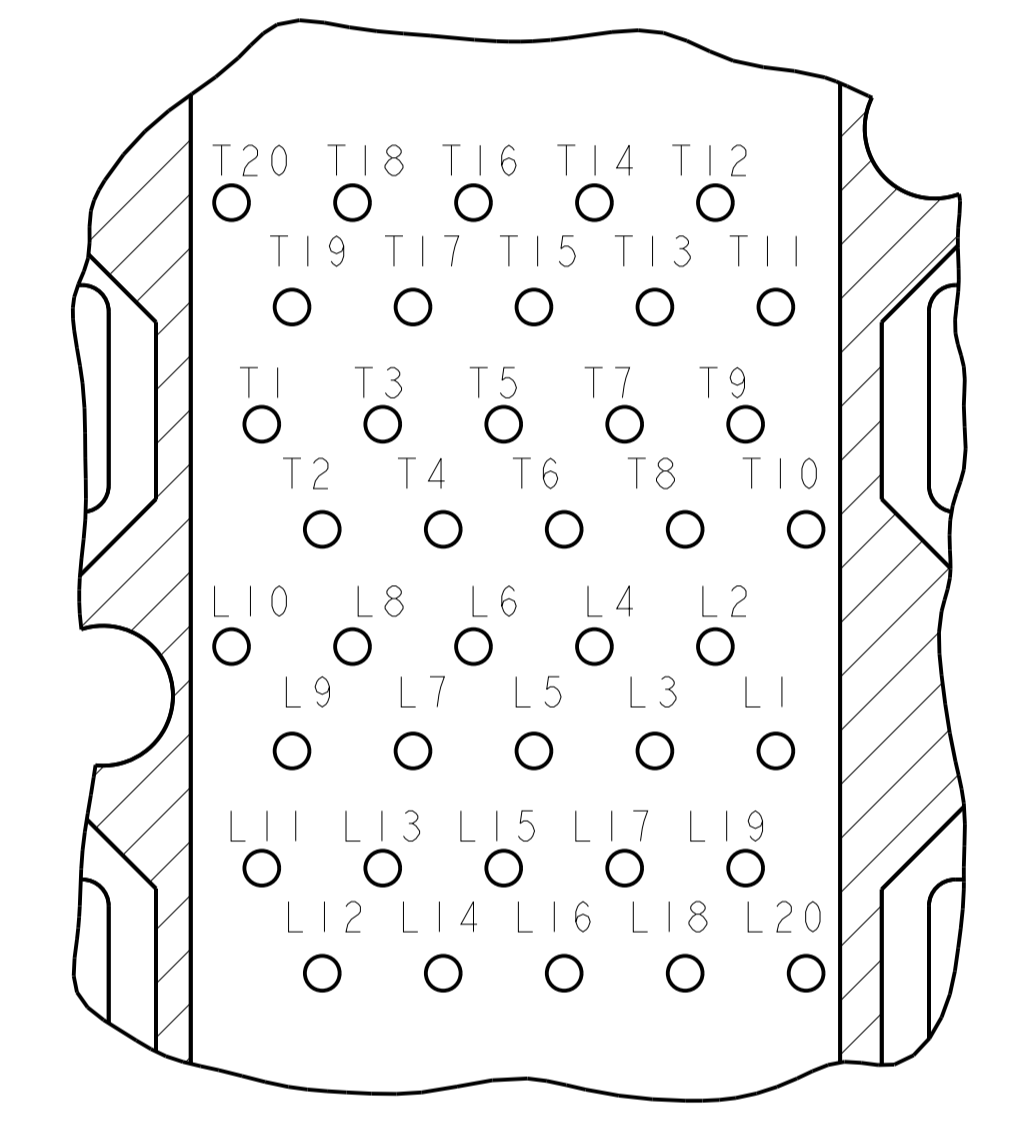
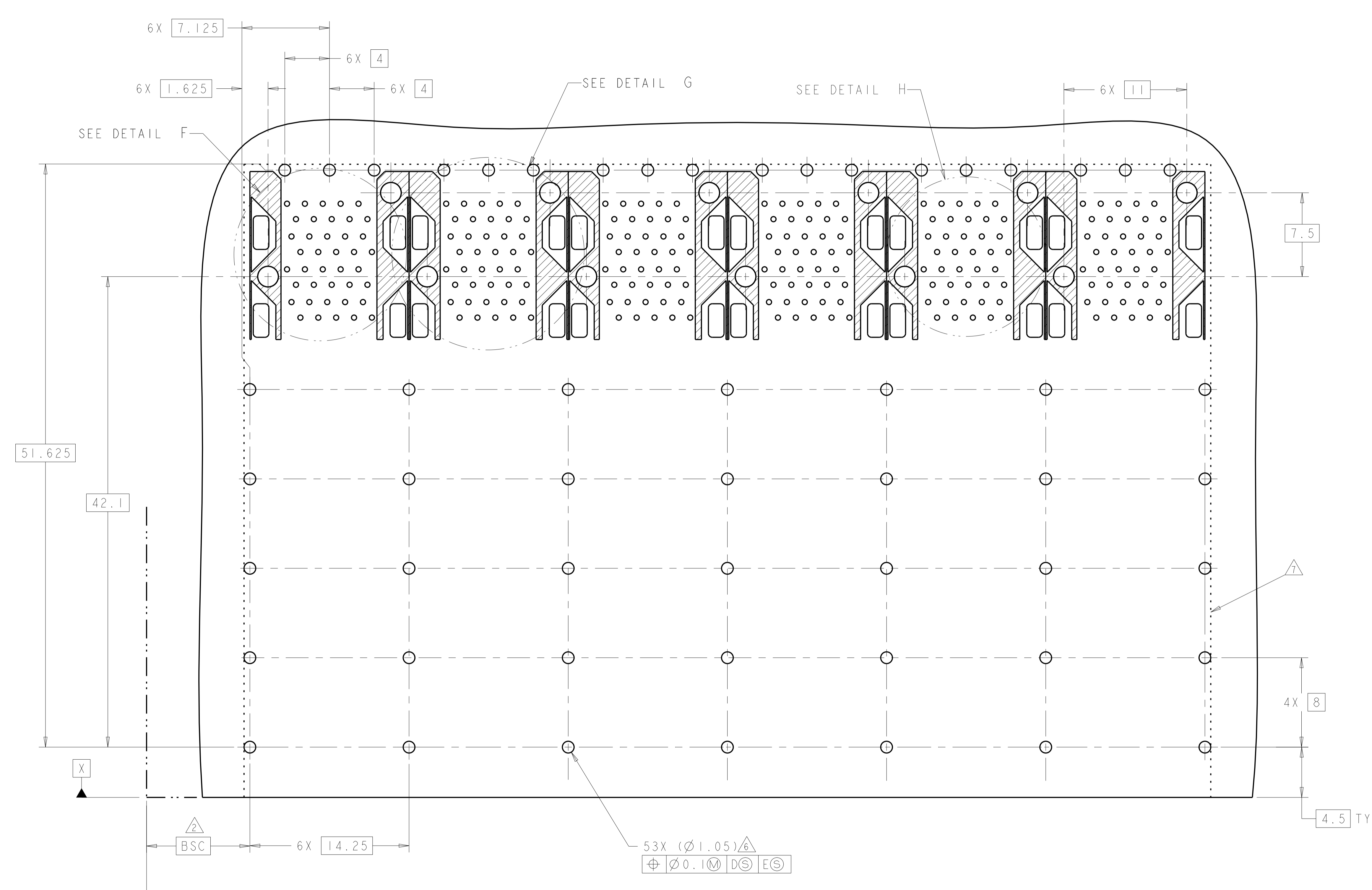
1-2007562-9
 SCALE 3:1



2-2007562-8
 SCALE 2:1

THIS DRAWING IS A CONTROLLED DOCUMENT. DIMENSIONING AND TOLERANCING PER ASME Y14.5M-2009. DIMENSIONS: mm. TOLERANCES UNLESS OTHERWISE SPECIFIED: 0 PLC ±0.10, 1 PLC ±0.10, 2 PLC ±0.10, 3 PLC ±0.10, 4 PLC ±. ANGLES ±°. MATERIAL: FINISH: ±.		DWN: M_SHIRK 14JAN2008 CHK: D_SZCZESNY 14JAN2008 APPV: D_SZCZESNY 14JAN2008 PRODUCT SPEC: 108-2331 APPLICATION SPEC: 114-13219 WEIGHT: CUSTOMER DRAWING	STE TE Connectivity NAME: CAGE AND PT CONNECTOR ASSEMBLY, WITH EMI SPRINGS, PRESS FIT, 2X6, STACKED SFP+ SIZE: A1 CAGE CODE: 00779 DRAWING NO: 2007562 SCALE: 4:1 SHEET 2 OF 4 REV E1
---	--	--	---

LOC	DIST	REV	DATE	BY	APPV
		1			
		2			
		3			
		4			



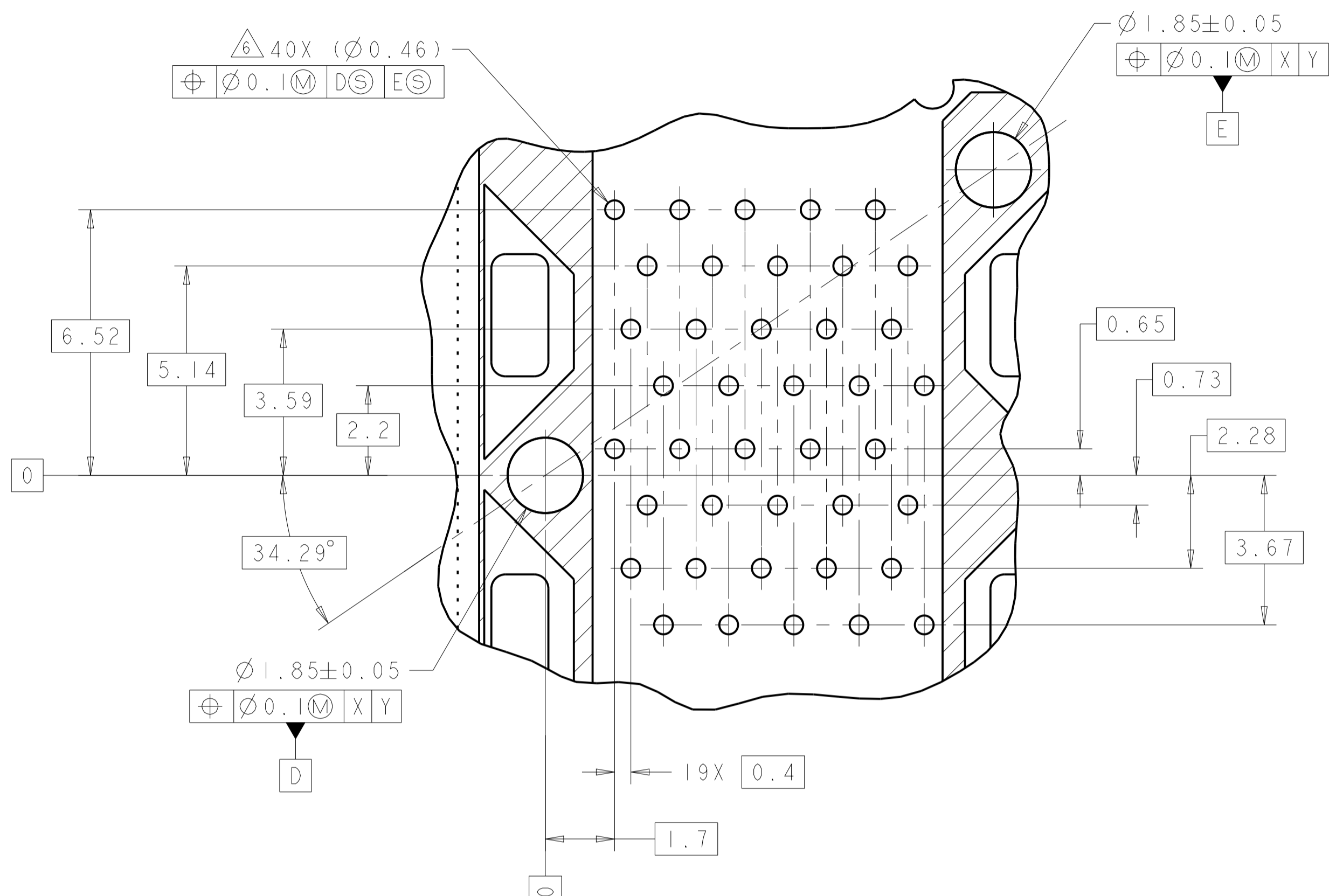
DETAIL H
 CONNECTOR PIN-OUT
 COMPONENT SIDE OF BOARD
 6X INDIVIDUALLY
 SCALE 10:1

RECOMMENDED PCB LAYOUT
 COMPONENT SIDE OF BOARD
 SCALE 5:1

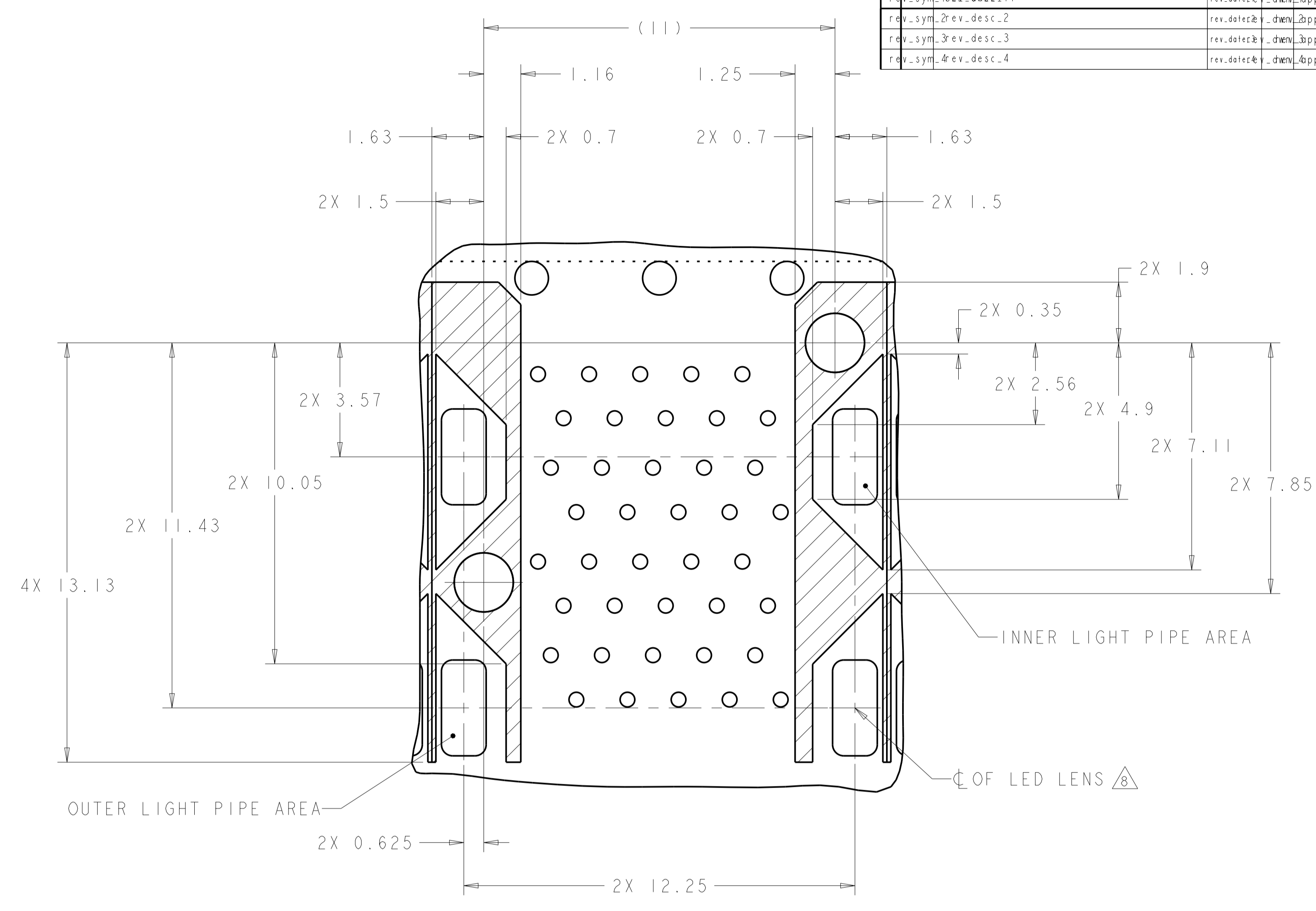
53X (Ø1.05) Δ
 $\oplus \text{Ø}0.1 \text{M} \text{DS} \text{ES}$

THIS DRAWING IS A CONTROLLED DOCUMENT. DIMENSIONING AND TOLERANCING PER ASME Y14.5M-2009.		DWN: M. SHIRK 14JAN2008 CHK: D. SZCZESNY 14JAN2008 APVD: D. SZCZESNY 14JAN2008	TE Connectivity
DIMENSIONS: mm TOLERANCES UNLESS OTHERWISE SPECIFIED: 0 PLC ±0.10 1 PLC ±0.10 2 PLC ±0.10 3 PLC ±0.10 4 PLC ±0.10 ANGLES ±°		NAME: CAGE AND PT CONNECTOR ASSEMBLY, WITH EMI SPRINGS, PRESS FIT, 2X6, STACKED SFP+ PRODUCT SPEC: 108-2331 APPLICATION SPEC: 114-13219 WEIGHT: - FINISH: -	
MATERIAL: -		CUSTOMER DRAWING	SCALE: 4:1 SHEET: 3 OF 4 REV: E

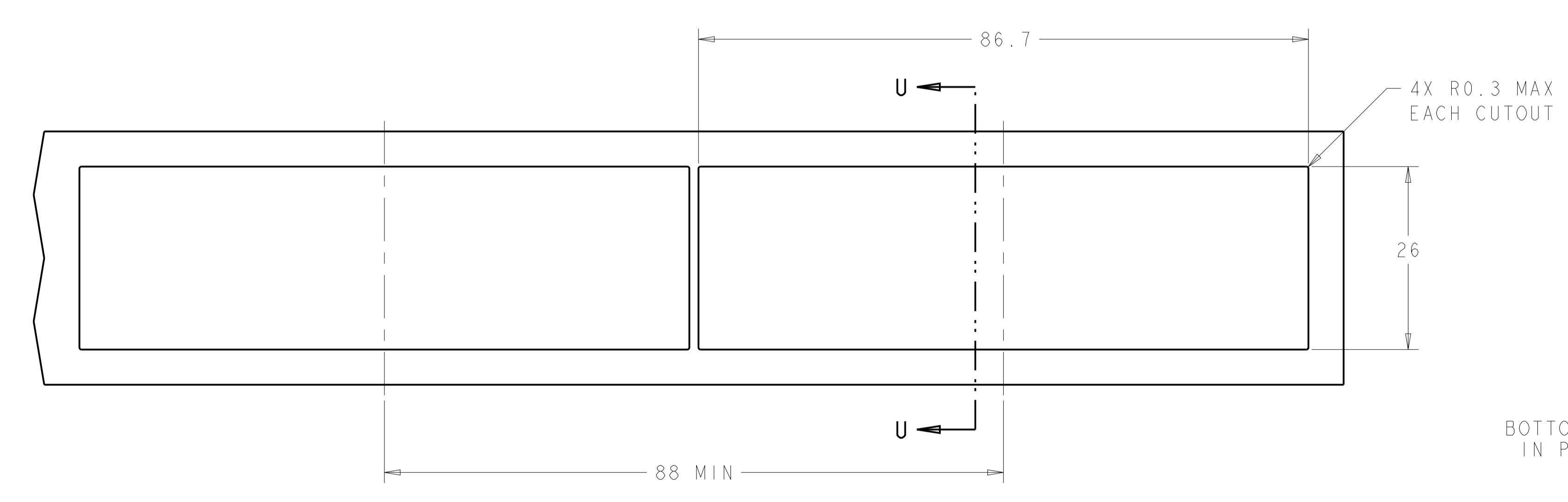
REV	DATE	BY	CHK	APPV	DESCRIPTION
1					rev_desc_1
2					rev_desc_2
3					rev_desc_3
4					rev_desc_4



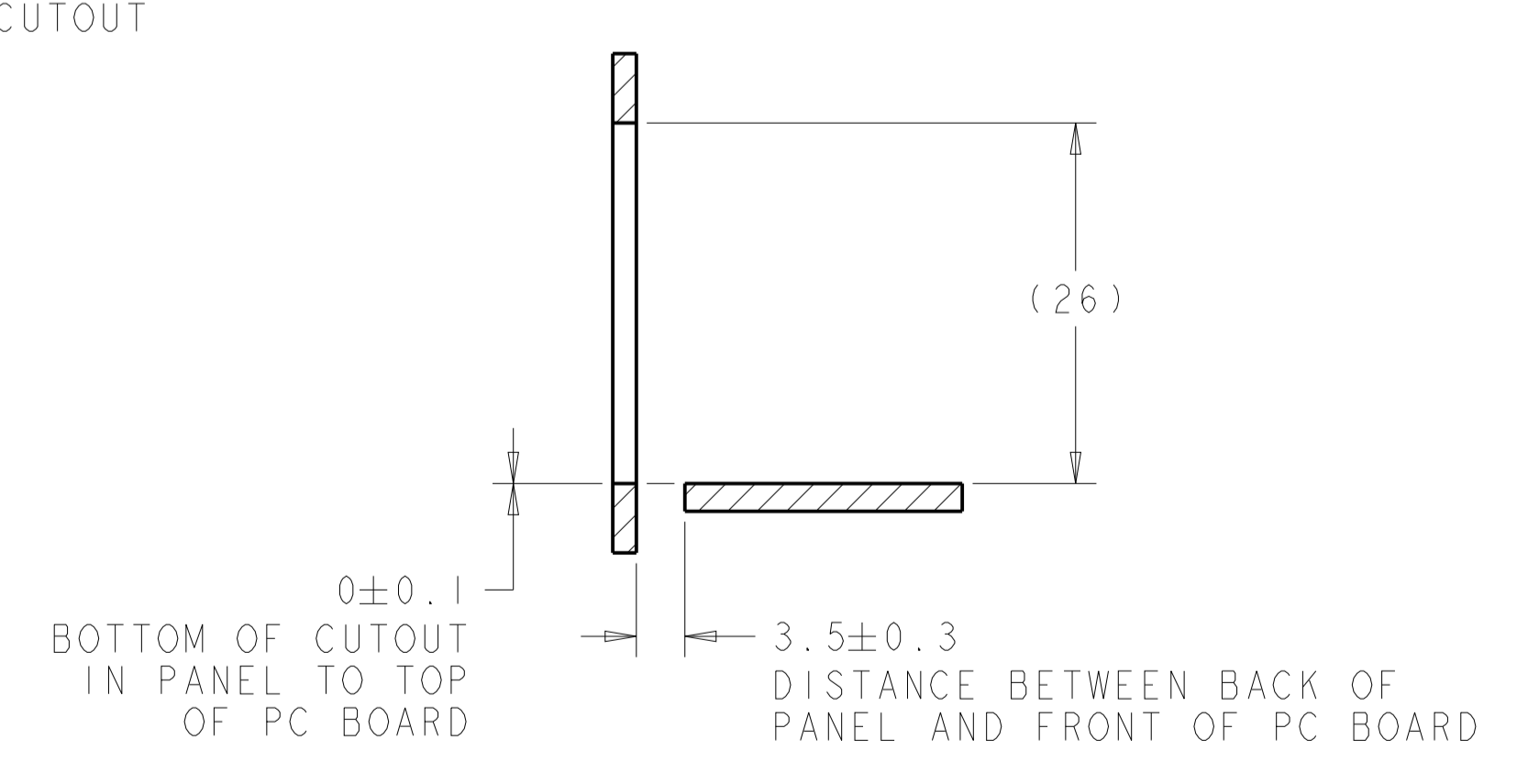
DETAIL F
6X INDIVIDUALLY
SCALE 10:1



DETAIL G
CONNECTOR HOUSING
KEEPOUT ZONE
6X INDIVIDUALLY
SCALE 10:1



RECOMMENDED PANEL CUTOUT
AND PC BOARD, PANEL POSITION
SCALE 2:1



SECTION U-U
0±0.1
BOTTOM OF CUTOUT
IN PANEL TO TOP
OF PC BOARD
3.5±0.3
DISTANCE BETWEEN BACK OF
PANEL AND FRONT OF PC BOARD

THIS DRAWING IS A CONTROLLED DOCUMENT. DIMENSIONING AND TOLERANCING PER: ASME Y14.5M-2009. DIMENSIONS: mm. TOLERANCES UNLESS OTHERWISE SPECIFIED: 0 PLC ±0.10, 1 PLC ±0.10, 2 PLC ±0.10, 3 PLC ±0.10, 4 PLC ±0.10, ANGLES ±°. MATERIAL: FINISH: .		DWN: M. SHIRK 14JAN2008 CHK: D. SZCZESNY 14JAN2008 APPV: D. SZCZESNY 14JAN2008 PRODUCT SPEC: 108-2331 APPLICATION SPEC: 114-13219 WEIGHT: . CUSTOMER DRAWING	STE TE Connectivity NAME: CAGE AND PT CONNECTOR ASSEMBLY, WITH EMI SPRINGS, PRESS FIT, 2X6, STACKED SFP+ SIZE: CAGE CODE DRAWING NO: A100779C=2007562 RESTRICTED TO: . SCALE: 4:1 SHEET 4 OF 4 REV: E
---	--	--	--