

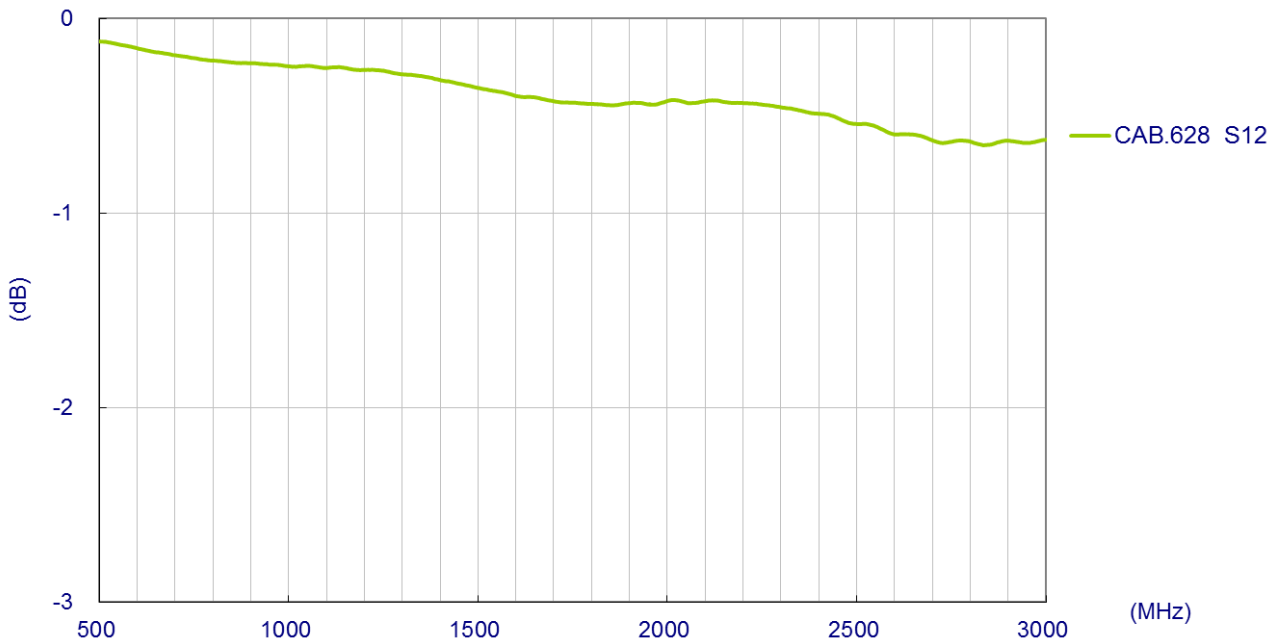
Specification

Part No. : **CAB.628**

Description : Taoglas Cable Assembly
IPEX MHFI to RP-SMA(F) Bulkhead Straight Connector
with 95mm \varnothing 1.13 cable

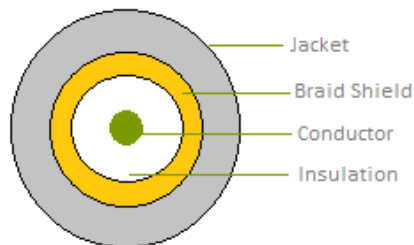


1. Cable Insertion Loss

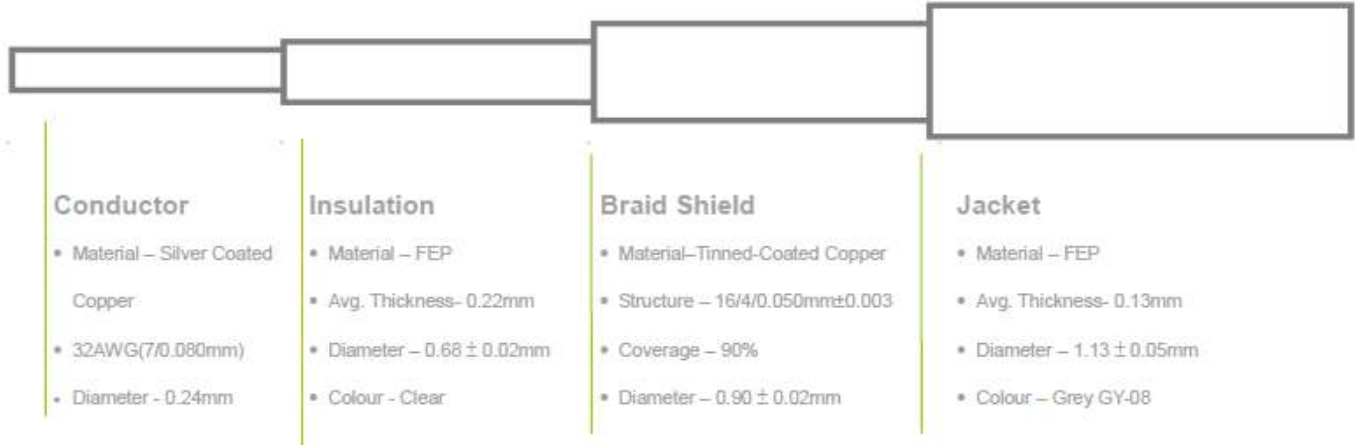


2. 1.13 Cable Specification

2.1 Drawing – Cross Section



2.2 Structure and Dimensions

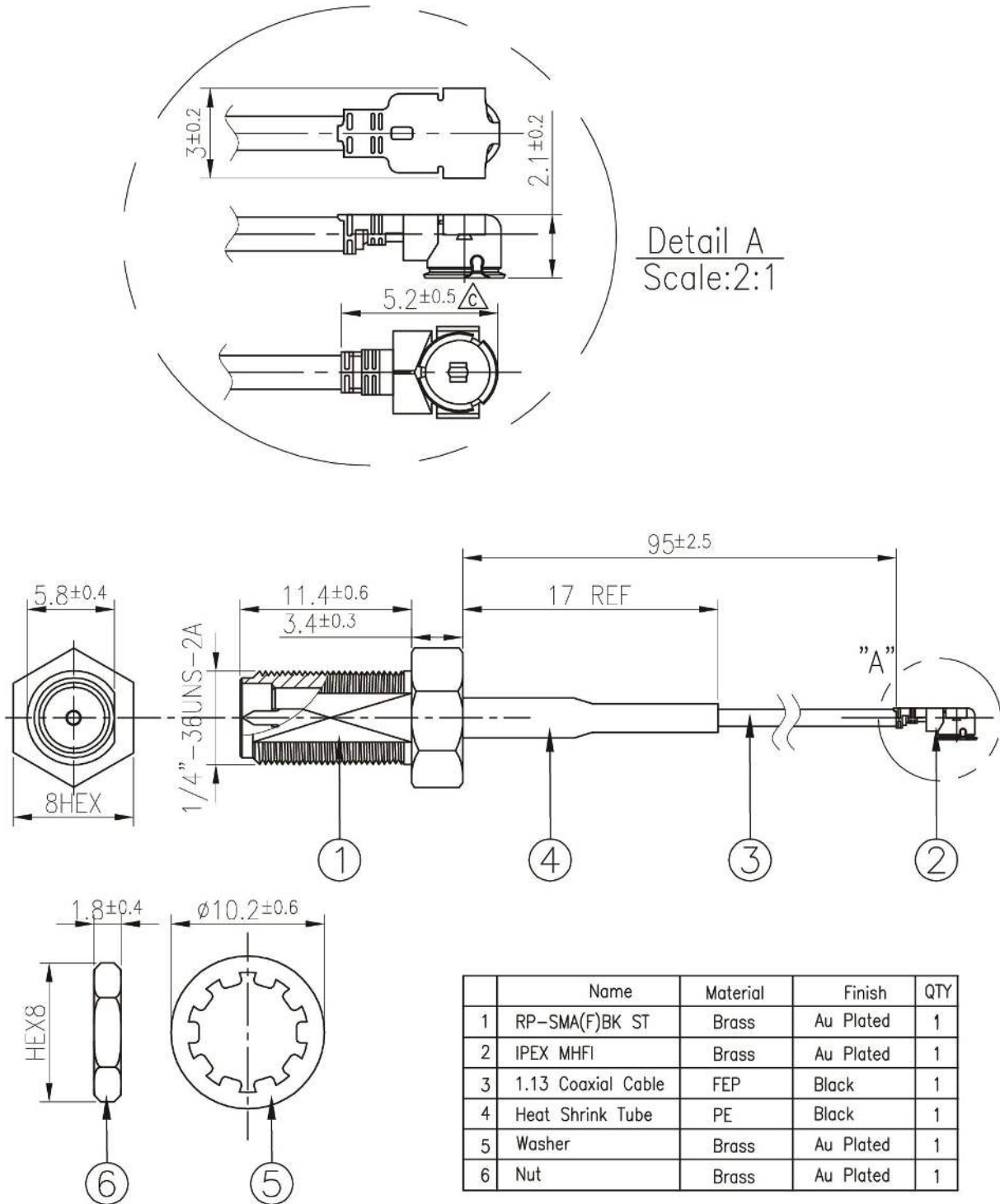


2.3 Electrical & Physical Specification

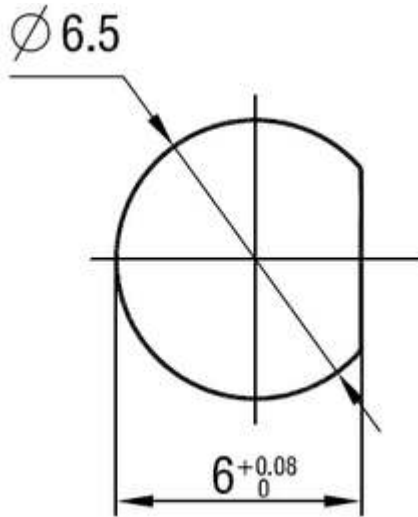
| | | | | |
|----|------------------------|-----------------------|--------------------------------|--|
| 1 | Item: | 32 AWG | | |
| 2 | Rating Temp Voltage: | 105°C 30V UL 1979 | | |
| 3 | Insulation Resistance: | 1000 MEGA OHM-KM Min. | | |
| 4 | Conductor Resistance: | 545 OHM/KM/20°C Max. | | |
| 5 | Dielectric Strength: | AC 1.0 KV/minute | | |
| 6 | Spark test: | 2.5 KV | | |
| 7 | Insulation | Unaged | Tensile Strength Elongation | 2500 PSI Min.(1.76Kg/mm ²) 200% min. |
| | | Aged | Tensile Strength Elongation | Unaged Min 75%(168HRS*232°C) Unaged Min 75%(168HRS*232°C) |
| 8 | Jacket | Unaged | Tensile Strength Elongation | 2500 PSI Min.(1.76Kg/mm ²) 200% min. |
| | | Aged | Tensile Strength Elongation | Unaged Min 75%(168HRS*232°C) Unaged Min 75%(168HRS*232°C) |
| 9 | Nom. Impedance | 50 ± 3 Ohms | | |
| 10 | Nom. Capacitance | 96 ± 3 pF/m | | |
| 11 | Nom. Vel. Of Prop. | 69% | | |
| 12 | VSWR (0-6GHz) | Max 1.3 | | |
| 13 | Flame Test | VW-1 OK | | |
| 14 | Attenuation (dB/1M) | 2.0GHz | 2.80 | |
| | | 2.4GHz | 3.10 | |
| | | 3.0GHz | 3.50 | |
| | | 4.0GHz | 4.00 | |
| | | 5.0GHz | 4.60 | |
| | | 6.0GHz | 5.10 | |

3. Technical Drawing

3.1 CAB.628



3.2 Recommended Mounting Hole – SMA(F) Bulkhead



Taoglas makes no warranties based on the accuracy or completeness of the contents of this document and reserves the right to make changes to specifications and product descriptions at any time without notice.

Taoglas reserves the rights to this document and the information contained herein. Reproduction, use or disclosure to third parties without express permission is strictly prohibited.

Copyright © Taoglas Ltd.