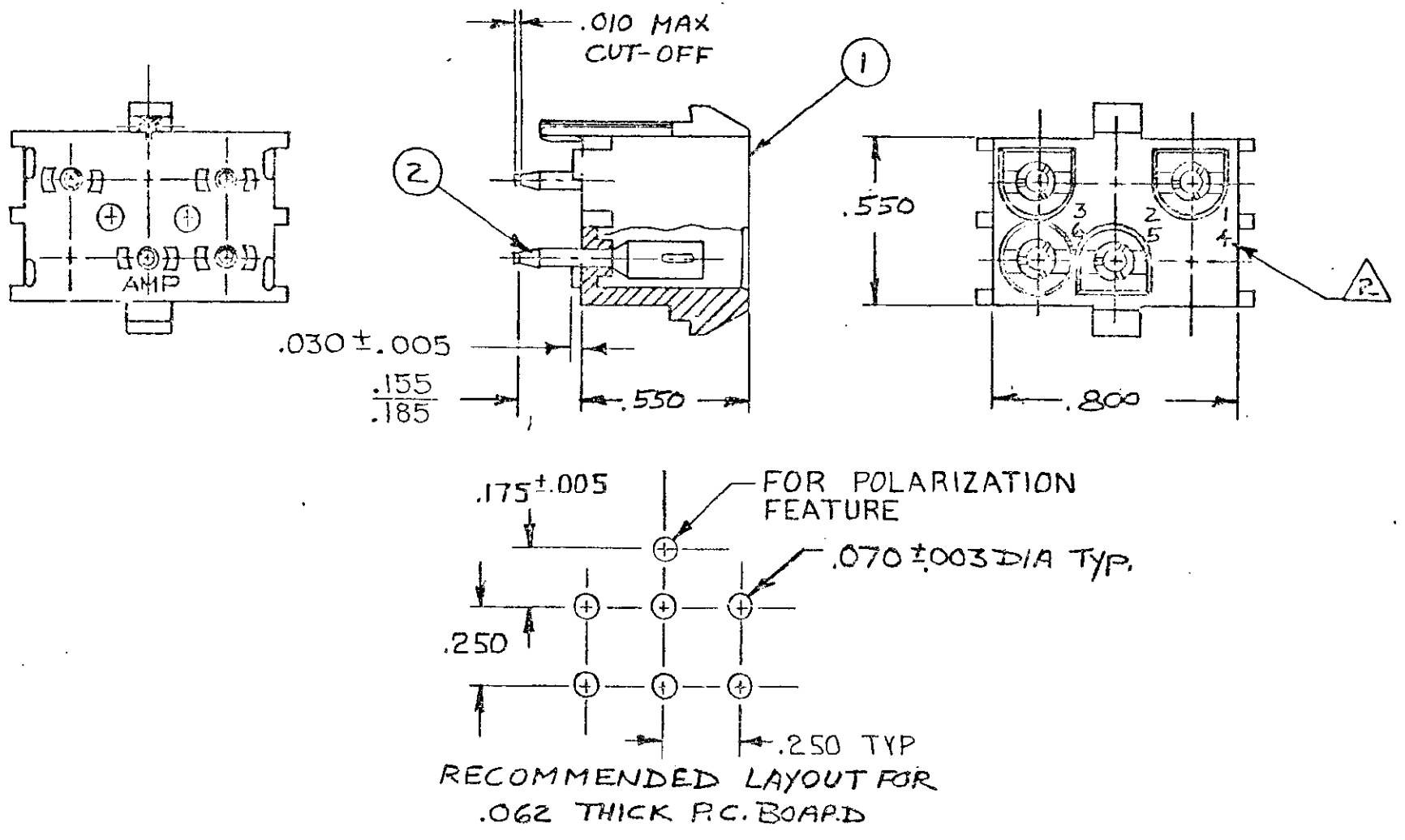


THIS DRAWING IS UNPUBLISHED. RELEASED FOR PUBLICATION 19

© COPYRIGHT 19 BY AMP INCORPORATED, HARRISBURG, PA. ALL INTERNATIONAL RIGHTS RESERVED. AMP PRODUCTS MAY BE COVERED BY U.S. AND FOREIGN PATENTS AND/OR PATENTS PENDING.

REVISIONS					
P/F	ZONE	LTR	DESCRIPTION	DATE	APPROVED
✓	✓		O RELEASED NEW DRAWING, TT133-17	3/2/83	AMS/DH
✓			A REVISED PER ECN M-7383	9-9-83	SDW RS
✓			B REVISED PER ECN AG 214	1-27-84	MC RS
✓			B1 RESTORATION	6-24-85	WJ/NJ
✓			C REVISE PER CM-1511	2-10-88	FVC RS
✓			D REV PER ECN 0730-3928-92	1-7-93	MSG RS
✓			E REV PER EC 0730-0111-95	8-29-95	JH RS



1. PARTS COMPLY WITH AMP SOLDERABILITY SPEC. 109-11-3.

2. CIRCUIT IDENTIFICATION CHARACTERS ARE ADJACENT TO THE INDICATED CAVITIES, BUT LOCATION AND ORIENTATION MAY DIFFER FROM PRINT.

No. PER ASS'Y	DESCRIPTION	MATERIAL & FINISH	ITEM No.	PART NO
6	SOCKET	PH BRZ, PRE-TIN	2	643423-1
1	HOUSING	NYLON, 94V-2, NATURAL	1	

UNLESS OTHERWISE SPECIFIED DIMENSIONS ARE IN INCHES. TOLERANCES ON: DECIMALS ±.015 ANGLES ±	CONTRACT NO		AMP INCORPORATED Harrisburg, Pa.	
	DR	3-2-83		
MATERIAL SEE TABLE	CHK	A.S. Heide 4/7/83	NAME HEADER ASSEMBLY, SOCKET, POLARIZED, UNIVERSAL MATE-N-LOK™ 6 CIRCUIT	
	APPD	C. Quella 4/8/83	DRAWING NO 643423	
FINISH SEE TABLE	DSGN APPD	SIZE 13	FSCM NO 00779	DRAWING NO 643423
	OTHER APPD	SCALE 2:1	SHEET	