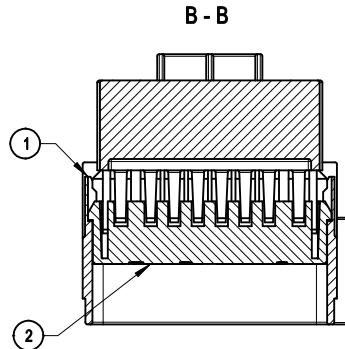
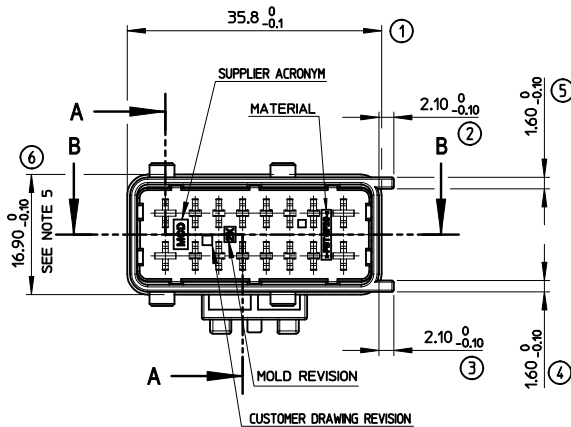
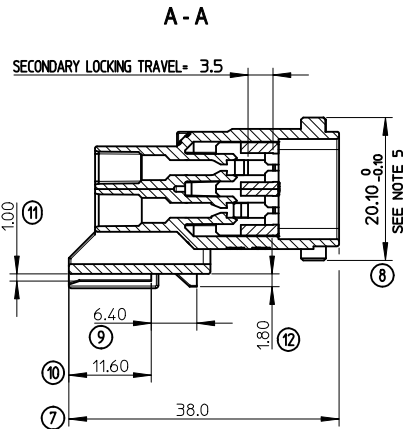
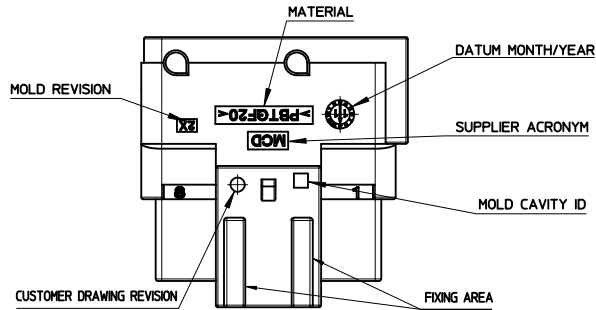
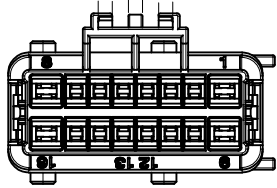


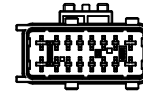
13 12 11 10 9 8 7 6 5 4 3 2 1

10.50
14 6.50
15 2.00

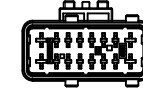


CODINGS

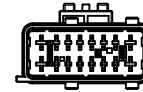
COLOR: BLACK
P/N*: 0982761001



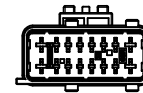
COLOR: GREEN
P/N*: 0982761002



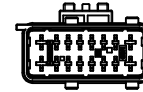
COLOR: BLUE
P/N*: 0982761003



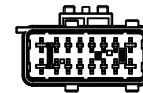
COLOR: WHITE
P/N*: 0982761004



COLOR: BROWN
P/N*: 0982761005



COLOR: GREY
P/N*: 0982761006



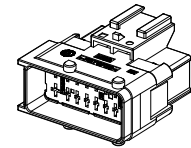
MODIFICATIONS

REV.	DESCRIPTION	NAME	DATE
A	PRELIMINARY ISSUE FOR GENERAL MARKET	EBA	04/11/08
B	MODIFICATION OF SHAPE ON 15 TERMINAL'S LATCHES	PKO	07/19/02
C	CHANGE THE SUPPLIER OF MATERIAL ON THE MALE BODY	PKO	07/10/23
D	-CODINGS REDRAWN TO BE LINKED WITH 3D MODELS. -ALL MARKINGS UPDATED. -REPAGED. -TEXTS IN FRENCH DELETED. -NOTES UPDATED. -FIXING AREA DEFINED WITH DIMS#9 to 15. -SECTION A-A UPDATED. -DIM#7 MOVED ON SECTION A-A.	GD	12/02/27

NOTES:

- FOR ILLUSTRATION PURPOSE THE MALE MODULE SHOWN IS THE BLACK VERSION.
- FEMALE CONNECTOR WILL MATE WITH MALE CONNECTOR P/N*: 098273100X.
- APPLICATION SPECIFICATION: AS-98276-001.
- PACKAGING SPECIFICATION: PK-98276-001.
- BOW ALLOWED 0.2 ON EACH SIDE.
- TERMINALS TO BE USED ARE SPECIFIED IN APPLICATION SPECIFICATION.

ISO VIEW



0982770001	2	SECONDARY LOCKING	>PBT-GF20<	YELLOW
098276000X	1	MALE BODY	>PBT-GF20<	SEE CHART
MOLEX P/N*	REP.	DESIGNATION	MATERIAL	COLOUR

REVISED
EC NO: G2012-0136
DRAWN: GEBRUEHERES 2012/01/18
CHKD: Y LOUIS 2012/02/27
APPR: CBOUCHAN 2012/04/16

DESCRIPTION
QUALITY SYMBOLS
=0
=0

GENERAL TOLERANCES (UNLESS SPECIFIED)

	mm	INCH
4 PLACES	± ---	± ---
3 PLACES	± ---	± ---
2 PLACES	± 0.10	± ---
1 PLACE	± 0.2	± ---

ANGULAR ± 1 °

DRAFT WHERE APPLICABLE MUST REMAIN WITHIN DIMENSIONS

DIMENSION STYLE
MM ONLY

DRAWN BY DATE
EBASSET 2004/11/08

CHECKED BY DATE
EBASSET 2004/11/08

APPROVED BY DATE
LSTICKEI 2004/11/08

MATERIAL NO.
SEE CHART

SIZE
A 2

SCALE
2:1

DESIGN UNITS
METRIC

FIRST ANGLE PROJECTION

TITLE
16W HYB. MALE CONN.

MOLEX MOLEX INCORPORATED

DOCUMENT NO.
SD-98276-001

SHEET NO.
1 OF 1

THIS DRAWING CONTAINS INFORMATION THAT IS PROPRIETARY TO MOLEX INCORPORATED AND SHOULD NOT BE USED WITHOUT WRITTEN PERMISSION