

SKY65535-11: 5 GHz WLAN Front-End Module

Applications

- WiFi-enabled handsets, tablets, and mobile/portable systems
- System-in-Package (SIP) modules for embedded systems
- WLAN-enabled wireless video systems

Features

- Integrated high performance 5 GHz PA with harmonic filter, LNA with bypass, and SPDT
- Fully-matched input and output
- Integrated, positive slope power detector
- Transmit gain: 30 dB
- Receive gain: 12 dB
- Output power: +17.5 dBm @ 3% EVM, 64 QAM 54 Mbps
- Direct connection to battery with 3.6 V nominal supply voltage
- Small, QFN (16-pin, 2.5 x 2.5 mm) package (MSL1, 260 °C per JEDEC J-STD-020)

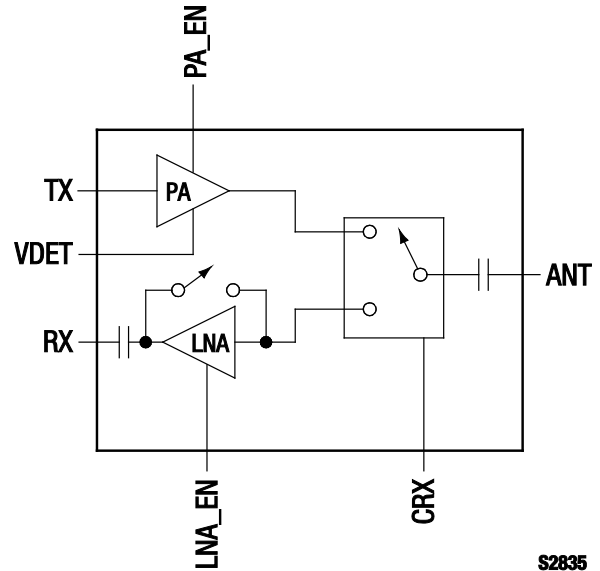



Figure 1. SKY65535-11 Block Diagram

 Skyworks Pb-free products are compliant with all applicable legislation. For additional information, refer to *Skyworks Definition of Lead (Pb)-Free*, document number SQ04-0073.

Description

The SKY65535-11 is a highly-integrated, 5 GHz Front-End Module (FEM) incorporating a 5 GHz Single-Pole, Double-Throw (SPDT) transmit/receive (T/R) switch, a 5 GHz Low-Noise Amplifier (LNA) with bypass, and a 5 GHz Power Amplifier (PA) intended for mobile/portable 802.11n applications and systems. The device operates from a single supply voltage of 3.6 V at +17.5 dBm of linear output power at the ANT port (pin 13) with a 64 QAM, 54 Mbps signal.

An enable/disable function is included that allows power savings during off mode. An integrated power detector with 20 dB of dynamic range is included to provide closed-loop power control within the system.

The device is provided in a compact, 16-pin 2.5 x 2.5 mm Quad Flat No-Lead (QFN) package. A functional block diagram is shown in Figure 1. The pin configuration and package are shown in Figure 2. Signal pin assignments and functional pin descriptions are provided in Table 1.

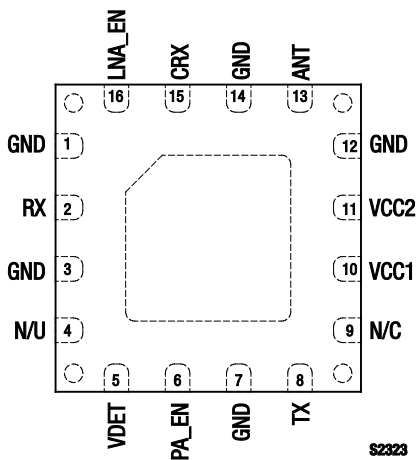


Figure 2. SKY65535-11 Pinout – 16-Pin QFN (Top View)

Technical Description

The SKY65535-11 is comprised of a high performance 5 GHz PA, 5 GHz LNA, and broadband SPDT switch. The device is fully-matched, and requires few external components for optimal performance, which makes it ideal for small portable/mobile applications. The FEM provides up to +30 dB of gain over the frequency band. The LNA supports an enable/disable mode for power savings when not in receive mode and a bypass function for increased receive dynamic range. The PA can be shut off using the PA_EN signal (pin 6).

Electrical and Mechanical Specifications

Signal pin assignments and functional pin descriptions are described in Table 1. The absolute maximum ratings of the SKY65535-11 are provided in Table 2. The recommended operating conditions are specified in Table 3 and electrical specifications are provided in Tables 4, 5, and 6.

The state of the SKY65535-11 is determined by the logic provided in Table 7.

Package and Handling Information

Instructions on the shipping container label regarding exposure to moisture after the container seal is broken must be followed. Otherwise, problems related to moisture absorption may occur when the part is subjected to high temperature during solder assembly.

The SKY65535-11 is rated to Moisture Sensitivity Level 1 (MSL1) at 260 °C. It can be used for lead or lead-free soldering. For additional information, refer to the Skyworks Application Note, *Solder Reflow Information*, document number 200164.

Care must be taken when attaching this product, whether it is done manually or in a production solder reflow environment. Production quantities of this product are shipped in a standard tape and reel format.

Table 1. SKY65535-11 Signal Descriptions

Pin #	Name	Description	Pin #	Name	Description
1	GND	Ground	9	N/C	No connect
2	RX	RF receive output	10	VCC1	Supply voltage
3	GND	Ground	11	VCC2	Supply voltage
4	N/U	Not used	12	GND	Ground
5	VDET	Detector output voltage	13	ANT	Antenna
6	PA_EN	PA enable	14	GND	Ground
7	GND	Ground	15	CRX	Switch control voltage
8	TX	RF transmit input	16	LNA_EN	LNA enable

Note: N/C = No connect. Keep pin floating.
 N/U = Not used. Pin can be connected or left floating.

Table 2. SKY65535-11 Absolute Maximum Ratings (Note 1)

Parameter	Symbol	Minimum	Maximum	Units
Supply voltage	V _{CC}	-0.3	+5.5	V
DC input on control pin (PA_EN, LNA_EN, CRX)	V _{IN}	-0.3	+3.6	V
Input power (ANT terminated in 50 Ω match)	P _{IN}		+5	dBm
Case operating temperature	T _A	-40	+85	°C
Storage temperature	T _{ST}	-40	+140	°C
Electrostatic Discharge, Human Body Model (HBM), Class 1C	ESD		1000	V

Note 1: Exposure to maximum rating conditions for extended periods may reduce device reliability. There is no damage to device with only one parameter set at the limit and all other parameters set at or below their nominal value. Exceeding any of the limits listed here may result in permanent damage to the device.

CAUTION: Although this device is designed to be as robust as possible, Electrostatic Discharge (ESD) can damage this device. This device must be protected at all times from ESD. Static charges may easily produce potentials of several kilovolts on the human body or equipment, which can discharge without detection. Industry-standard ESD precautions should be used at all times.

Table 3. SKY65535-11 Recommended Operating Conditions

Parameter	Symbol	Minimum	Typical	Maximum	Units
Supply voltage relative to GND = 0 V	V _{CC}	3.20	3.60	4.40	V
Operating temperature	T _A	-40	+25	+85	°C

Table 4. SKY65535-11 Electrical Specifications: DC Characteristics (Note 1)

(V_{CC} = 3.6 V, PA_EN = 3.3 V, T_A = 25 °C, All Unused Ports Terminated with 50 Ω, Unless Otherwise Noted)

Parameter	Symbol	Test Condition	Min	Typical	Max	Units
Supply current	I _{CC-A}	P _{OUT} = +17.5 dBm, 54 Mbps		190		mA
	I _{CC-OFF}	PA_EN = 0 V, No RF applied, PA_EN = CRX = LNA_EN = 0 V		5		μA
Quiescent current	I _{CCQ}	No RF		120		mA
LNA supply current	I _{CC_LNA}	LNA_EN = 3.3 V, CRX = 3.3 V		9	11	mA
LNA bypass supply current	I _{CC_LNA_BYP}	LNA_EN = 0 V, CRX = 3.3 V		200		μA

Note 1: Performance is guaranteed only under the conditions listed in this Table.

Table 5. SKY65535-11 Electrical Specifications: General (Note 1)
(Vcc = 3.6 V, PA_EN = 3.3 V, LNA_EN = CRX = 0 V, Ta = 25 °C, All Unused Ports Terminated with 50 Ω, Unless Otherwise Noted)

Parameter	Symbol	Test Condition	Min	Typical	Max	Units
Transmit Characteristics						
Frequency range	f		5150		5950	MHz
Error Vector Magnitude	EVM	P _{OUT} = +17.5 dBm, 54 Mbps OFDM signal P _{OUT} = +16.0 dBm, MCS7, HT40		3.0	3.2 3.0	% %
Small signal gain	S ₂₁			30		dB
Harmonics (2 nd and 3 rd)	2fo, 3fo	P _{OUT} = +19.5 dBm, 6 Mbps, 802.11a			-45	dBm/MHz
Delay and rise/fall time	t _{DR} , t _{DF}	50% of V _{PA_EN} edge and 90/10% of final output power level			400	ns
Input return loss	S ₁₁	@ TX port		-12		dB
Stability	Stab	CW, P _{IN} = +10 dBm, 0.1 GHz to 20 GHz, load VSWR = 6:1	All non-harmonically related outputs < -43 dBm/MHz			
Ruggedness		CW, P _{IN} = 0 dBm, 0.1 GHz to 20 GHz, load VSWR = 10:1	No permanent damage or performance degradation			
Receive Characteristics						
Frequency range	f		5150		5950	MHz
Small signal gain	S ₂₁	LNA enabled Bypass mode		+12 -7		dB dB
Noise Figure	NF			2.5		dB
3 rd Order Input Intercept Point	IIP3	LNA enabled Bypass mode		+3 +20		dBm dBm
Input return loss	S ₁₁	LNA enabled Bypass mode		-10 -10		dB dB
Output return loss	S ₂₂			-8		dB
Enable time	t _{EN}	10% to 90% of receive RF power, from time that LNA_EN is at 50%			400	ns
Switch isolation	ISOL _{SW}		20			dB
Power Detector Characteristics						
Frequency range	f		5150		5950	MHz
Power detector range, CW	PDR	Measured @ ANT pin	0		+23	dBm
Output impedance	PDZ _{LOAD}			2.2		kΩ
Output voltage	PDV _{NO_RF} PDV _{P10} PDV _{P23}	P _{OUT} = no RF, measured in to 1 MΩ P _{OUT} = +10 dBm, CW, measured in to 1 MΩ P _{OUT} = +23 dBm, CW, measured in to 1 MΩ		0.1 0.2 0.8		V V V
Detector bandwidth	PD _{BW}			1		MHz

Table 6. SKY65535-11 Electrical Specifications: Control Logic Characteristics (Note 1)
(V_{CC} = 3.6 V, PA_EN = 3.3 V, LNA_EN = CRX = 0 V, T_A = 25 °C, All Unused Ports Terminated with 50 Ω, Unless Otherwise Noted)

Parameter	Symbol	Test Condition	Min	Typical	Max	Units
Control voltage: High	V _{IH}		1.6		3.6	V
Low	V _{IL}		0		0.4	V
Input current, high	I _{IH}	All pins except PEN PEN pin			10 200	μA μA
Input current, low	I _{IL}				1	μA

Table 7. SKY65535-11 Control Logic

Mode	CRX (Pin 15)	LNA_EN (Pin 16) (Note 1)	PA_EN (Pin 6) (Note 2)
WLAN receive	1	1	0
WLAN receive bypass mode	1	0	0
WLAN transmit	0	0	1
WLAN off	0	0	0

Note 1: LNA is on while LNA_EN is high. LNA is off and in bypass mode when LNA_EN is low.

Note 2: PA_EN controls PA enable and transmit/receive switch logic.

Evaluation Board Description

The SKY65535-11 Evaluation Board is used to test the performance of the SKY65535-11 FEM. A suggested application schematic diagram is shown in Figure 3. A photograph of the Evaluation Board is shown in Figure 4.

Evaluation Board Test Procedures

1. Connect the system ground to connector J4, pin 2, of the Evaluation Board.
2. Apply 3.6 V to connector J4, pins 1 and 3.
3. Apply 3.3 V to connector J5, pin 1.
4. Select a path to test according to the modes shown in Table 7.
5. Connect a multimeter or oscilloscope to connector J5, pin 12, to monitor the power detector voltage.
6. Apply an RF signal to connector J1 (ANT) to monitor the RX to ANT performance. Measure the response from the output of connector J2 (RX).
7. Apply an RF signal to connector J3 (TX) to monitor the ANT to TX performance. Monitor the output power on connector J1 (ANT). Care should be taken not to overdrive the amplifier by applying too much RF on the input to the device (–20 dBm provides a suitable starting input power for the device).

Circuit Design Considerations

The following design considerations are general in nature and must be followed regardless of final use or configuration:

1. Paths to ground should be made as short as possible.
2. The RX and ANT ports are AC-coupled and do not require DC blocking capacitors. The TX port (pin 8) has an on-chip inductor to ground followed by a DC blocking capacitor between the inductor and the die. Therefore, there is no DC present on this port.
3. If the TX port is connected to an external component with DC present on it, a 10 pF (component C8) general purpose blocking capacitor is recommended.
4. Capacitors C6 (1 μF) and C7 (100 pF) should be on the primary side of the Evaluation Board at a minimum manufacturable distance from the FEM.
5. The ground pad of the SKY65535-11 has special electrical and thermal grounding requirements. This pad is the main thermal conduit for heat dissipation. Since the circuit board acts as the heat sink, it must shunt as much heat as possible from the device. Therefore, design the connection to the ground pad to dissipate the maximum wattage produced by the circuit board. Multiple vias to the grounding layer are required.
6. Trace losses are as shown in Table 8.

NOTE: A poor connection between the slug and ground increases junction temperature (T_J), which reduces the lifetime of the device.

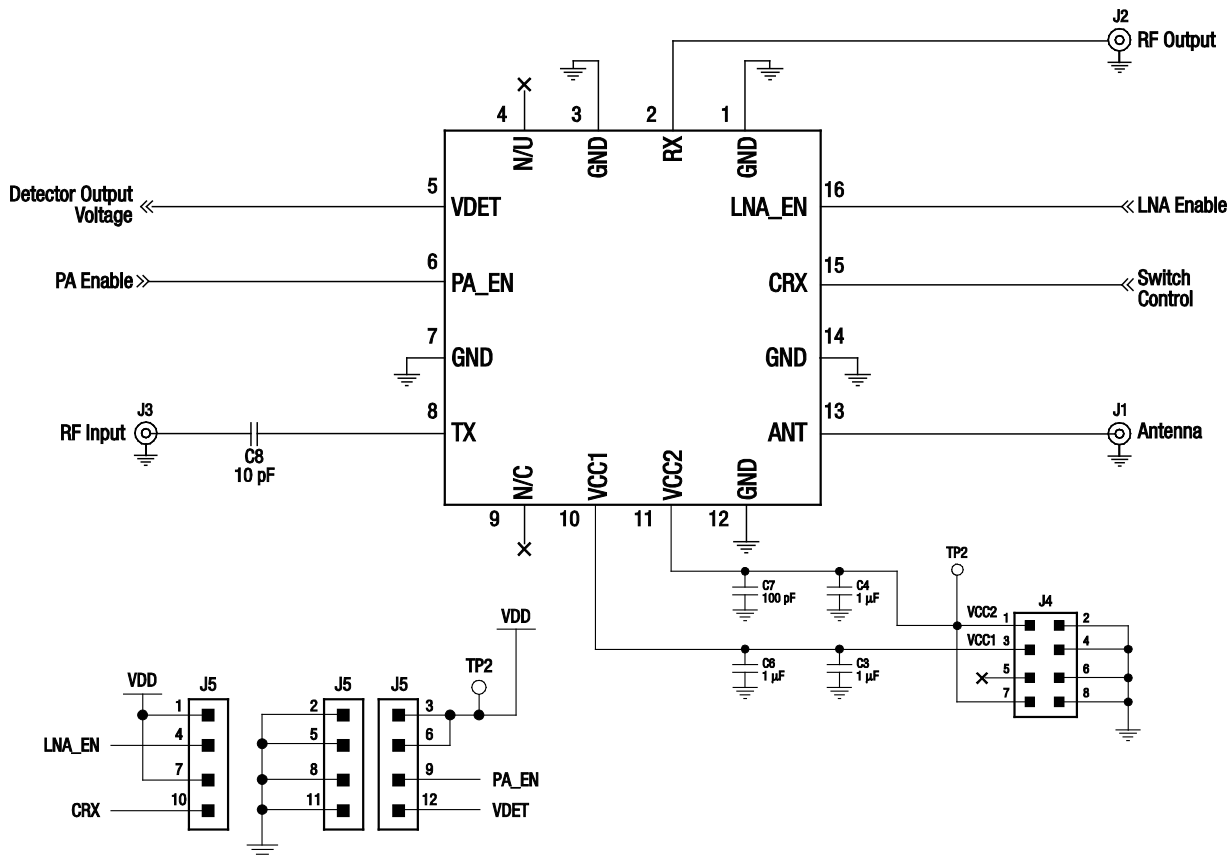
Package Dimensions

The PCB layout footprint for the SKY65535-11 is shown in Figure 5. Typical case markings are shown in Figure 6. Package

dimensions for the 16-pin QFN are shown in Figure 7, and tape and reel dimensions are provided in Figure 8.

Table 8. Evaluation Board Trace Losses

Trace	Trace Losses (dB)		
	@ 4.9 GHz	@ 5.4 GHz	@ 5.9 GHz
TX path	0.28	0.25	0.37
RX path	0.15	0.19	0.20
ANT path	0.15	0.19	0.20



Note: The Evaluation Board has 0 Ω resistors and footprints for non-populated parts that are not shown on this schematic.

S2335

Figure 3. SKY65535-11 Application Schematic

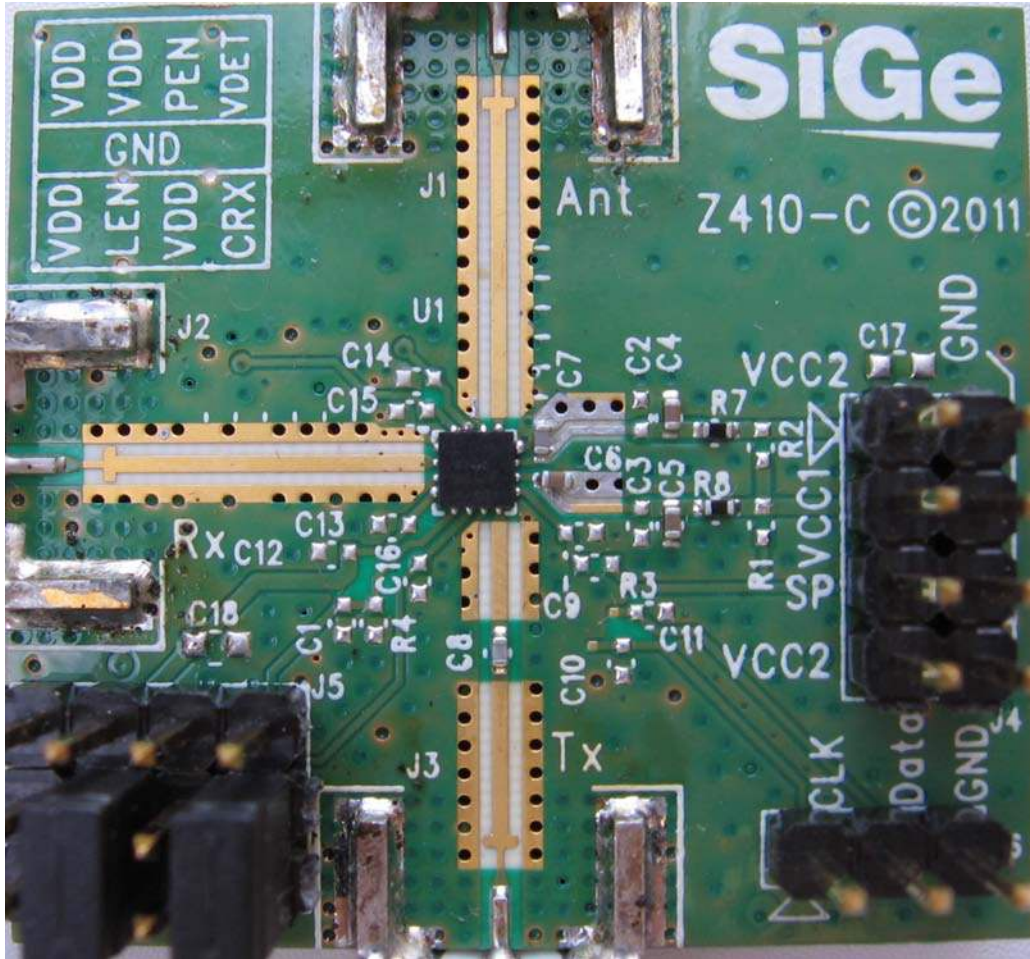
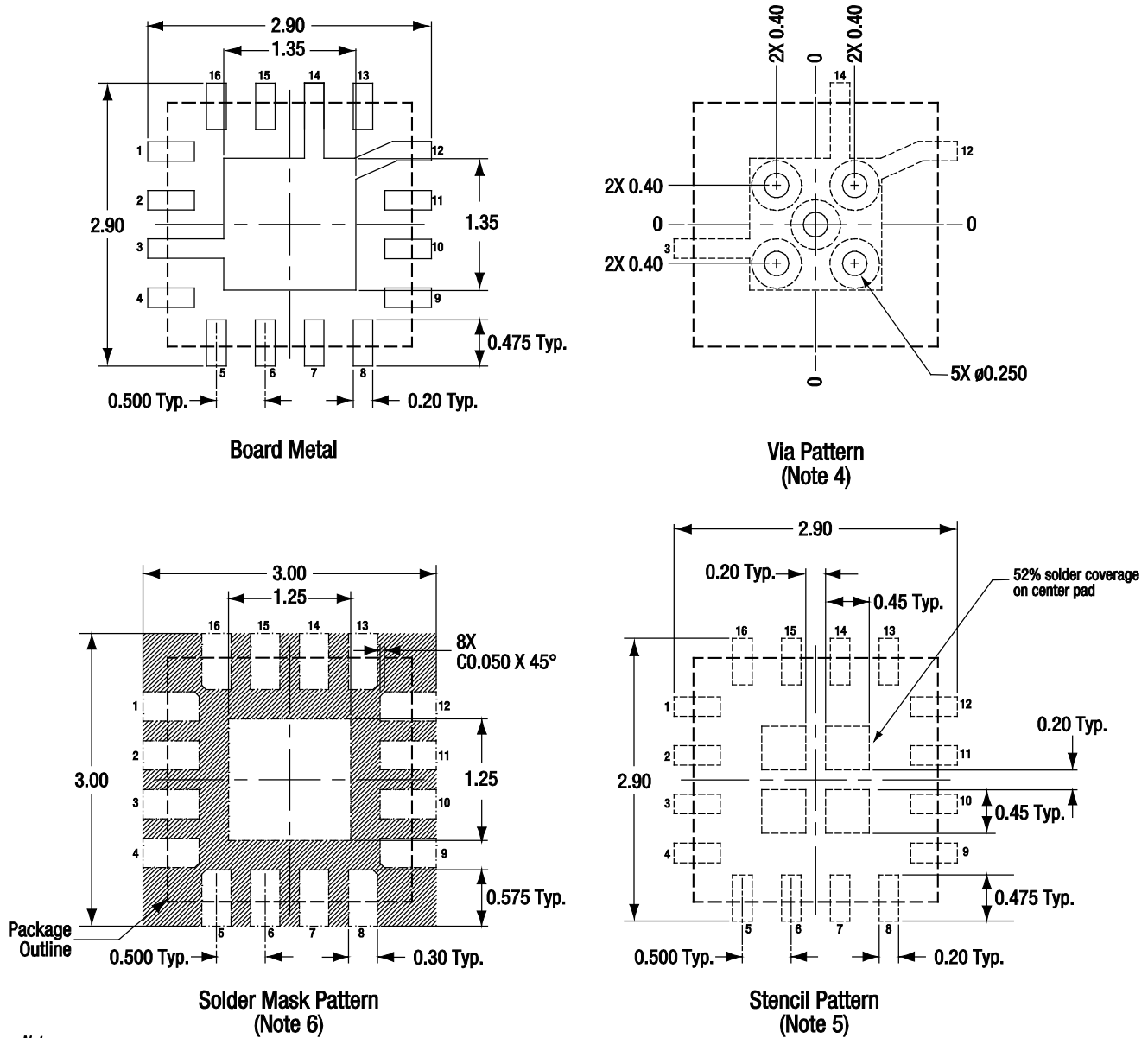


Figure 4. SKY65535-11 Evaluation Board Assembly



Notes:

1. All dimensions are in millimeters
2. Dimensioning and tolerancing according to ASME Y14.5M-1994
3. Unless specified, dimensions are symmetrical about center lines.
4. Via hole recommendations: 0.025 mm Cu via wall plating (minimum), soldermask on the far side should tent or plug via holes.
5. Stencil recommendations: 0.10 mm stencil thickness, laser cut apertures, trapezoidal walls and rounded corners offer better paste release.
6. Solder mask recommendations: contact board fabricator for recommended solder mask offset and tolerance.

S2655

Figure 5. SKY65535-11 PCB Layout Footprint

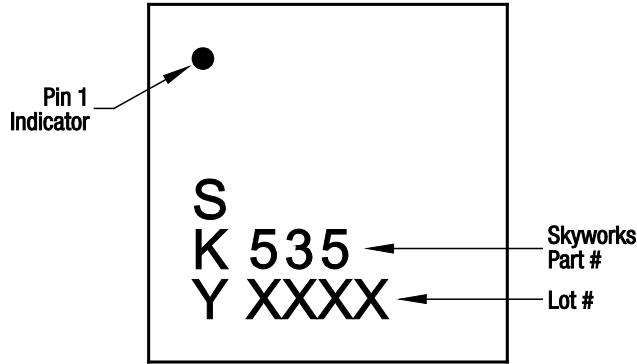
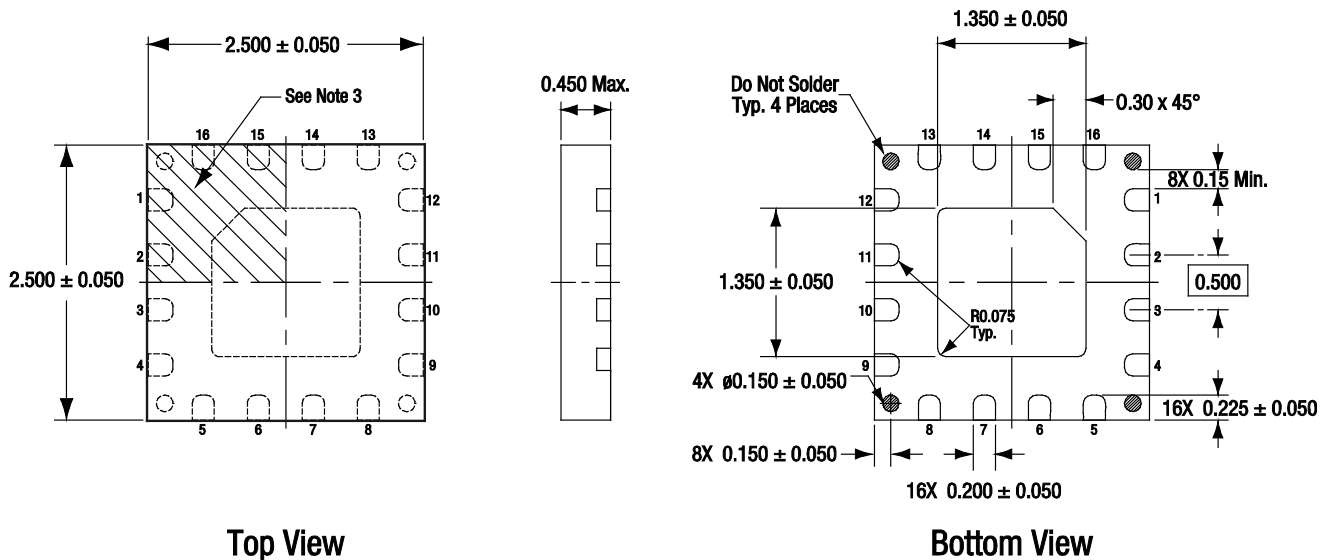


Figure 6. Typical Case Markings (Top View)



Top View

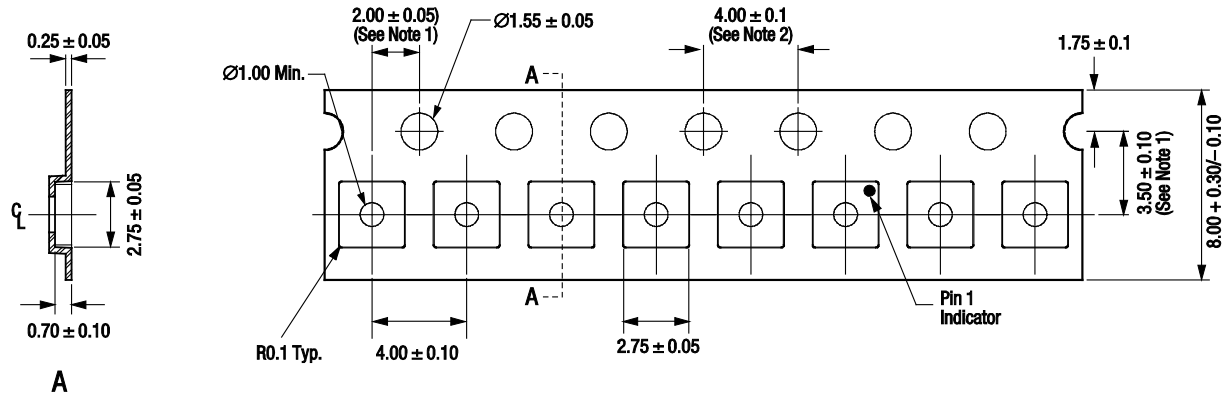
Bottom View

NOTES:

1. All measurements are in millimeters.
2. Dimensioning and tolerancing according to ASME Y14.5M-1994. Unless otherwise specified the following values apply:
 Decimal Tolerance: Angular Tolerance:
 X.X (1 place) ± 0.1 mm ±1°
 X.XX (2 places) ± 0.05 mm
 X.XXX (3 places) ± 0.025 mm
3. Terminal #1 identification mark located within marked area.
4. Unless specified, dimensions are symmetrical about center lines.

S2620

Figure 7. SKY65535-11 16-Pin QFN Package Dimensions



- Notes:
1. Measured from centerline of sprocket hole to centerline of pocket.
 2. Cumulative tolerance of 10 sprocket holes: ± 0.02 mm.
 3. All measurements are in millimeters.

S2678a

Figure 8. SKY65535-11 Tape and Reel Dimensions

Ordering Information

Model Name	Manufacturing Part Number	Evaluation Board Part Number
SKY65535-11 5 GHz Front-End Module	SKY65535-11	SKY65535-11-EVB

Copyright © 2011, 2012, 2013 Skyworks Solutions, Inc. All Rights Reserved.

Information in this document is provided in connection with Skyworks Solutions, Inc. ("Skyworks") products or services. These materials, including the information contained herein, are provided by Skyworks as a service to its customers and may be used for informational purposes only by the customer. Skyworks assumes no responsibility for errors or omissions in these materials or the information contained herein. Skyworks may change its documentation, products, services, specifications or product descriptions at any time, without notice. Skyworks makes no commitment to update the materials or information and shall have no responsibility whatsoever for conflicts, incompatibilities, or other difficulties arising from any future changes.

No license, whether express, implied, by estoppel or otherwise, is granted to any intellectual property rights by this document. Skyworks assumes no liability for any materials, products or information provided hereunder, including the sale, distribution, reproduction or use of Skyworks products, information or materials, except as may be provided in Skyworks Terms and Conditions of Sale.

THE MATERIALS, PRODUCTS AND INFORMATION ARE PROVIDED "AS IS" WITHOUT WARRANTY OF ANY KIND, WHETHER EXPRESS, IMPLIED, STATUTORY, OR OTHERWISE, INCLUDING FITNESS FOR A PARTICULAR PURPOSE OR USE, MERCHANTABILITY, PERFORMANCE, QUALITY OR NON-INFRINGEMENT OF ANY INTELLECTUAL PROPERTY RIGHT; ALL SUCH WARRANTIES ARE HEREBY EXPRESSLY DISCLAIMED. SKYWORKS DOES NOT WARRANT THE ACCURACY OR COMPLETENESS OF THE INFORMATION, TEXT, GRAPHICS OR OTHER ITEMS CONTAINED WITHIN THESE MATERIALS. SKYWORKS SHALL NOT BE LIABLE FOR ANY DAMAGES, INCLUDING BUT NOT LIMITED TO ANY SPECIAL, INDIRECT, INCIDENTAL, STATUTORY, OR CONSEQUENTIAL DAMAGES, INCLUDING WITHOUT LIMITATION, LOST REVENUES OR LOST PROFITS THAT MAY RESULT FROM THE USE OF THE MATERIALS OR INFORMATION, WHETHER OR NOT THE RECIPIENT OF MATERIALS HAS BEEN ADVISED OF THE POSSIBILITY OF SUCH DAMAGE.

Skyworks products are not intended for use in medical, lifesaving or life-sustaining applications, or other equipment in which the failure of the Skyworks products could lead to personal injury, death, physical or environmental damage. Skyworks customers using or selling Skyworks products for use in such applications do so at their own risk and agree to fully indemnify Skyworks for any damages resulting from such improper use or sale.

Customers are responsible for their products and applications using Skyworks products, which may deviate from published specifications as a result of design defects, errors, or operation of products outside of published parameters or design specifications. Customers should include design and operating safeguards to minimize these and other risks. Skyworks assumes no liability for applications assistance, customer product design, or damage to any equipment resulting from the use of Skyworks products outside of stated published specifications or parameters.

Skyworks, the Skyworks symbol, and "Breakthrough Simplicity" are trademarks or registered trademarks of Skyworks Solutions, Inc., in the United States and other countries. Third-party brands and names are for identification purposes only, and are the property of their respective owners. Additional information, including relevant terms and conditions, posted at www.skyworksinc.com, are incorporated by reference.