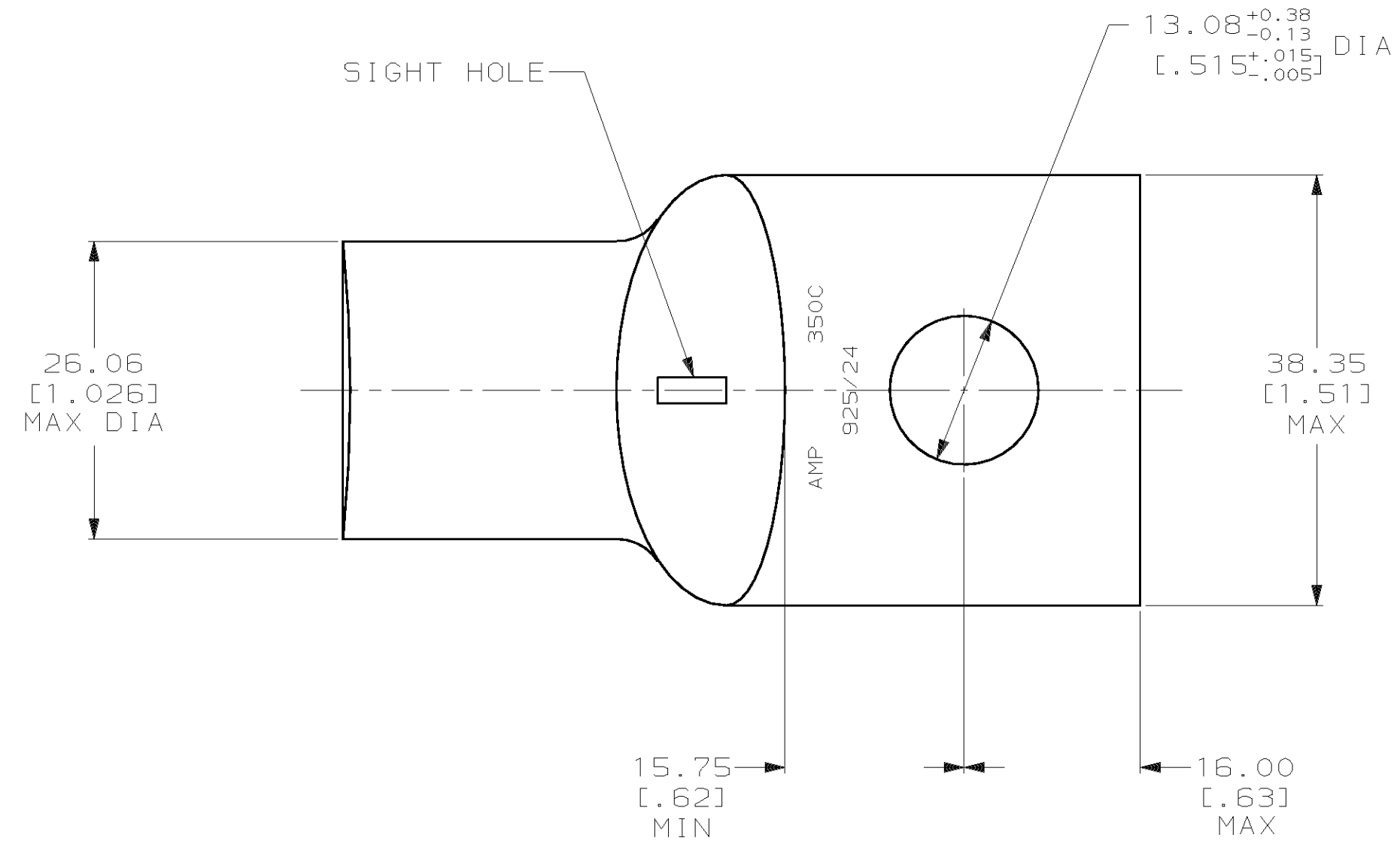
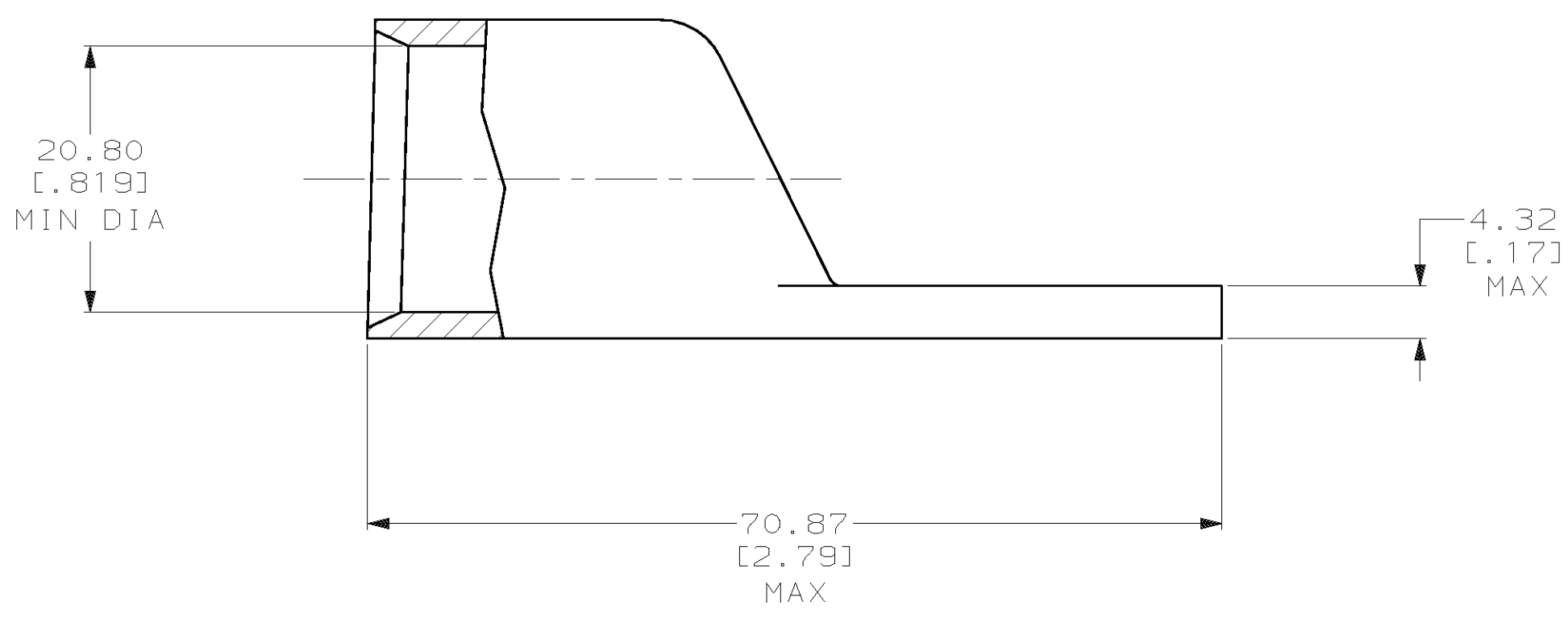


THIS DRAWING IS UNPUBLISHED. RELEASED FOR PUBLICATION, 19 .  
 © COPYRIGHT 19 BY AMP INCORPORATED. ALL INTERNATIONAL RIGHTS RESERVED.

LOC		DIST		REVISIONS				DATE	APPD
ZONE	LTR	DESCRIPTION	DATE	APPD					
G	86	P	F	L	REV PER 063A-0561-01	080CT02	JR		



1 CIRCULAR MIL AREA RANGE: 325-375 MCM  
 2 TIN PL 0.00381 [0.00150] MIN THK PER MIL-T-10727



**METRIC**

DO NOT SCALE PRINT. UNLESS SPECIFIED DIMENSIONS IN mm [INCHES] TOLERANCES ON : 2 PLC DEC ± 0.51 [0.020] 3 PLC DEC ± - ANGLES ± -		DR 02/28/90 DK 5CHRUM	AMP INCORPORATED Harrisburg, Pa. 17105	
MATERIAL ANNEALED COPPER ASTM B-75		CHK 23JAN95 MS FEHER		
FINISH △		APPD 23JAN95 WJ VOCKROTH	NAME TERMINAL, AMPPOWER™ WIRE SIZE: 350MCM	
APPLICATION SPEC -		APPD 23JAN95 TL SHUTTER	SIZE C	CAGE CODE 00779
WEIGHT .188 LB		PRODUCT SPEC 108-30200	SCALE 2:1	DRAWING NO 325905
			SHEET 1 OF 1	