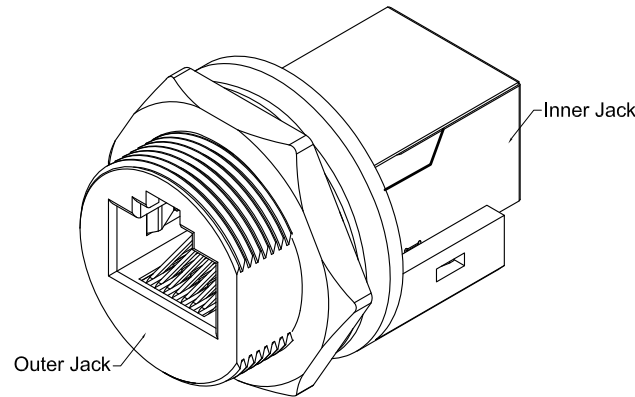


Panel Cut-Out
Panel Thickness: 1.5~2.0mm



Material and Finish

Body: Polycarbonate, UL 94V-0 Rated

Contacts: Phosphor Bronze

Plating Options:

Standard: Gold Flash over Nickel on Inner Jack, Gold Flash over Nickel on Outer Jack

50u": 50u" Gold over Nickel on Inner Jack, 50u" Gold over Nickel on Outer Jack

Nut: Polycarbonate, UL 94V-0 Rated

Gasket: Silicone, Red Color, UL 94HB Rated

Electrical Characteristics*

Rated Current: 1.5 Amps

Rated Voltage: 125V DC

Contact Resistance:
90 milliohms Max.

Insulation Resistance:
500 Megohms Min.

Dielectric Withstanding Voltage:
1000V DC for 1 Minute

Mechanical Characteristics

Recommended Nut Torque: 12 Kgf-cm

IP Degree of Protection: IP67 when mated with GM67X-CS-B or GM67X-CS-R

Durability: 1000 Mating Cycles Min.
Temperature Range: -40°C to +80°C

*Electrical Characteristics Include Both Jacks

Part Number	Plating
GM67X-S-88	Gold Flash
GM67X-S-88-50	50u" Gold



Tolerances
X.X ± 0.38
X.XX ± 0.25
Unless Stated Otherwise

REV.	DATE	DESCRIPTION	REV. BY	CHK. BY	DRAWN BY	DATE
A0	8/23/11	New Drawing	P. DalCanto	H. MA	P. DalCanto	5/5/11
A1	8/30/11	Release Drawing	P. DalCanto	N/A		
A2	12/10/12	ECO #12-062	S. Vien	P. DalCanto		UNITS
A3	09/04/13	ECO #13-021	W. Cook	P. DalCanto		mm
A4	09/11/15	Remove CSA	H. MA	W. Cook		
A5	09/20/18	Restore CSA	C. Kelleher	D. Shehan		

GM67X-S-88

IP67 Modular Jack

Box Side with Jack

