



**ANATECH ELECTRONICS INC**  
RF & Microwave Filters & Products

# 548 MHz Bandpass Filter

## Part Number: AE548B9620



### Electrical specifications

**Center Frequency:** 548 MHz  
**Insertion Loss @ Fc:** 1 dB Max.  
**Passband:** 518-578 MHz Flatness <3 dB  
**Return Loss:** 14 dB Min @ 525-565 MHz  
**Rejection1:** 50 dB Min @ 0-448 MHz  
**Rejection 2:** 50 dB Min @ 648-2000 MHz  
**Input / Output Impedance:** 50 Ohms  
**Power Handling :** 25 Watts

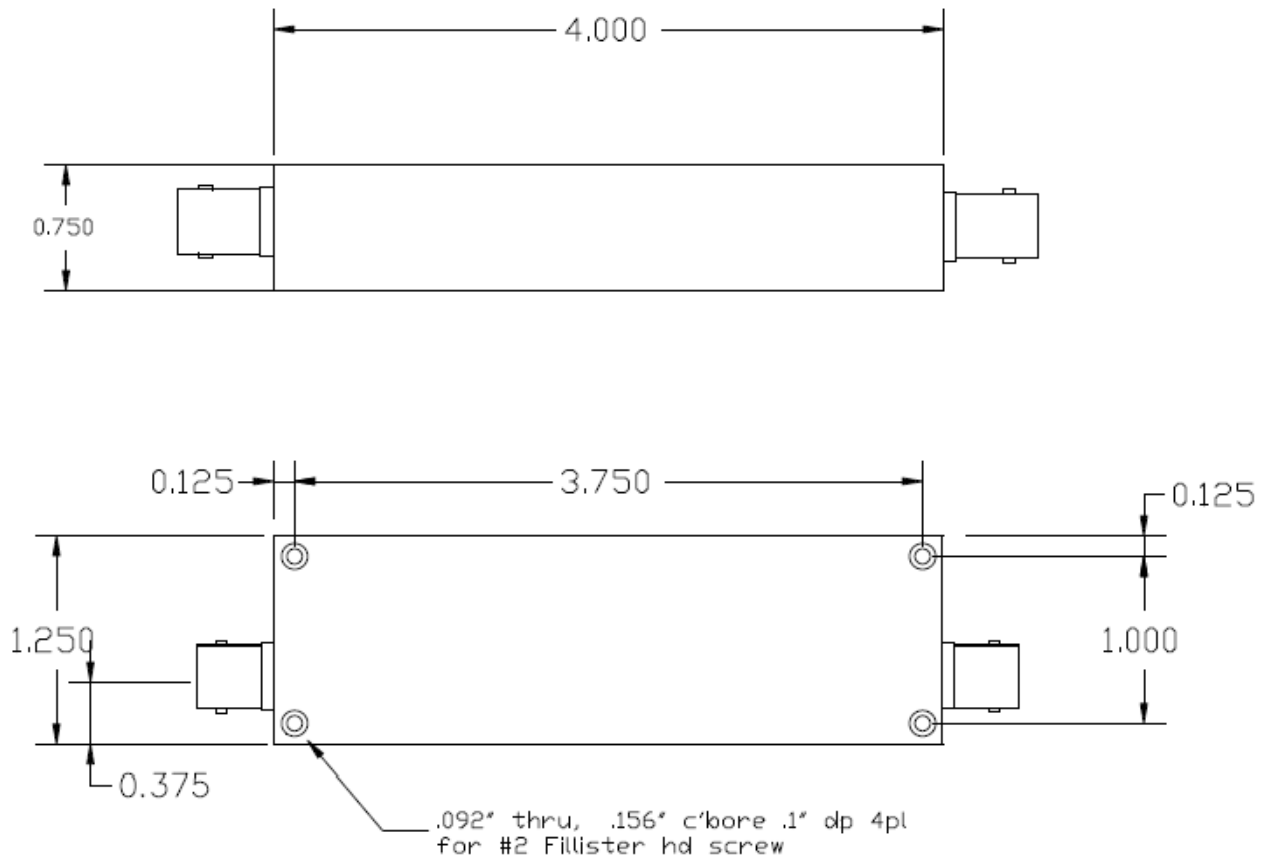
### Mechanical

**Connector Type:** BNC (F)  
**Dimensions:** 4 x 1.25 x 0.75 inches

### Environmental

**Operating Temperature:** -45 to +85 deg.C  
**Storage temperature:** -65 to +95 deg.C  
**Shock:** 20 G's, ½ sine, 11ms  
**Vibration:** 10 G's, 10-2000Hz  
**Relative Humidity:** 0-95%

### Outline Drawing:



2 decimal places: +/-0.01 inches [+/-0.3mm] Connector Type: BNC (F) 2 Pl  
 3 decimal places: +/-0.005 inches [+/-0.13mm]  
 Angles: +/-1 Deg.

*When max dimensions are called out the above tolerances do not apply as long as it is under the max call out.*