

1744416-7 ✓ ACTIVE



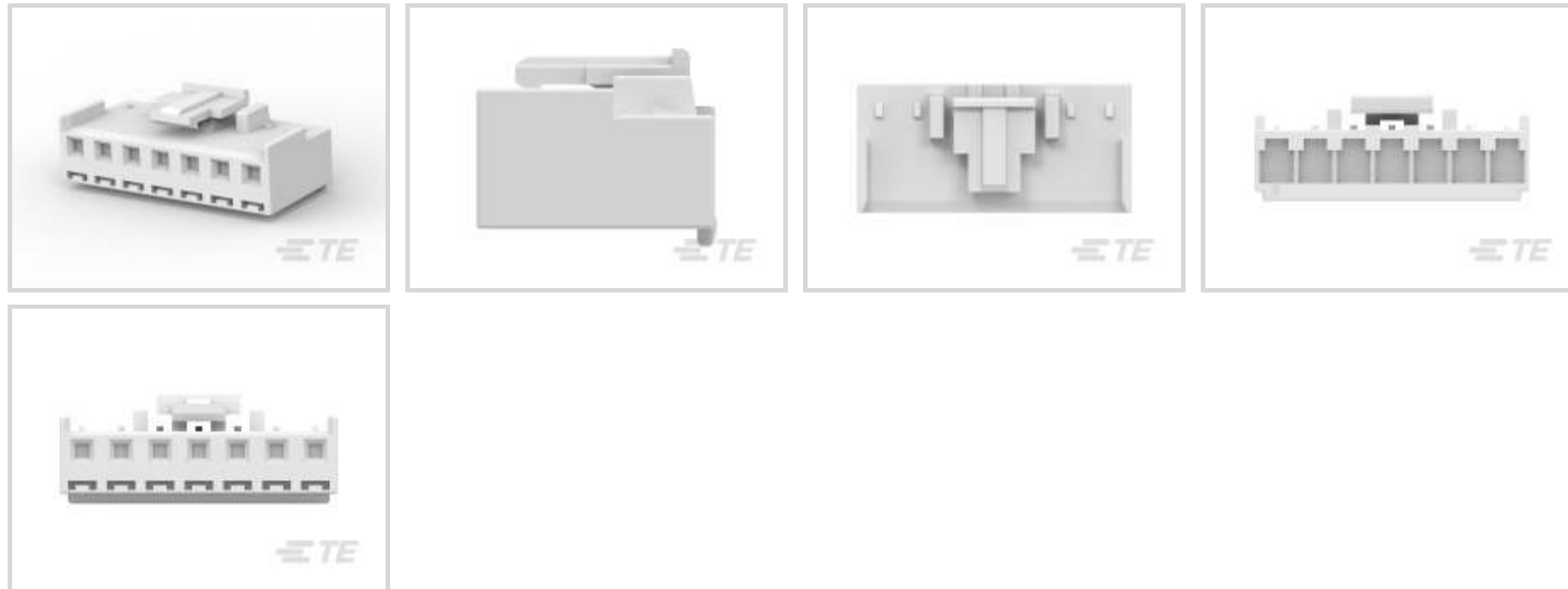
Economy Power

TE Internal #: 1744416-7

Rectangular Power Connectors, Housing, Receptacle, Wire-to-Board, 7 Position, 3.96 mm [.156 in] Centerline, Wire & Cable, UL 94V-0, Economy Power

[View on TE.com >](#)

Connectors > Power Connectors > Rectangular Power > Rectangular Power Connectors



Rectangular Power Connector Type: **Housing**

Connector & Housing Type: **Receptacle**

Connector System: **Wire-to-Board**

Number of Positions: **7**

Centerline (Pitch): **3.96 mm [.156 in]**

Features

Product Type Features

Rectangular Power Connector Type	Housing
Connector & Housing Type	Receptacle
Connector System	Wire-to-Board
Sealable	No
Connector & Contact Terminates To	Wire & Cable

Configuration Features

Number of Positions	7
Number of Rows	1

Electrical Characteristics

Operating Voltage	600 VAC
-------------------	---------

Contact Features

Contact Layout	Inline
Contact Retention Within Housing	Without
Contact Type	Receptacle



Termination Features

Termination Method to Wire & Cable	Crimp
------------------------------------	-------

Mechanical Attachment

Strain Relief	Without
Mating Alignment Type	Polarization
Mating Retention	With
Mating Alignment	With
Panel Mount Feature	Without
PCB Mount Retention	Without
Mating Retention Type	Latch, Locking Latch
Connector Mounting Type	Cable Mount (Free-Hanging)

Housing Features

Centerline (Pitch)	3.96 mm [.156 in]
Housing Color	Natural
Housing Material	Nylon

Dimensions

Connector Height	11 mm [.432 in]
Product Length	28.28 mm [1.111 in]

Usage Conditions

Operating Temperature Range	-55 – 105 °C [-67 – 221 °F]
-----------------------------	-----------------------------

Operation/Application

Circuit Application	Power & Signal
---------------------	----------------

Industry Standards

UL Flammability Rating	UL 94V-0
Glow Wire Rating	GWT 750°C (Without Flame)

Packaging Features

Packaging Quantity	1000
Packaging Method	Bag

Product Compliance

For compliance documentation, visit the product page on [TE.com](https://www.te.com)>



EU RoHS Directive 2011/65/EU	Compliant
EU ELV Directive 2000/53/EC	Compliant
China RoHS 2 Directive MIIT Order No 32, 2016	No Restricted Materials Above Threshold
EU REACH Regulation (EC) No. 1907/2006	Current ECHA Candidate List: JUNE 2023 (235) Candidate List Declared Against: JUNE 2023 (235) Does not contain REACH SVHC
Halogen Content	Not Low Halogen - contains Br or Cl > 900 ppm.
Solder Process Capability	Not applicable for solder process capability

Product Compliance Disclaimer

This information is provided based on reasonable inquiry of our suppliers and represents our current actual knowledge based on the information they provided. This information is subject to change. The part numbers that TE has identified as EU RoHS compliant have a maximum concentration of 0.1% by weight in homogenous materials for lead, hexavalent chromium, mercury, PBB, PBDE, DBP, BBP, DEHP, DIBP, and 0.01% for cadmium, or qualify for an exemption to these limits as defined in the Annexes of Directive 2011/65/EU (RoHS2). Finished electrical and electronic equipment products will be CE marked as required by Directive 2011/65/EU. Components may not be CE marked. Additionally, the part numbers that TE has identified as EU ELV compliant have a maximum concentration of 0.1% by weight in homogenous materials for lead, hexavalent chromium, and mercury, and 0.01% for cadmium, or qualify for an exemption to these limits as defined in the Annexes of Directive 2000/53/EC (ELV). Regarding the REACH Regulation, the information TE provides on SVHC in articles for this part number is based on the latest European Chemicals Agency (ECHA) 'Guidance on requirements for substances in articles' posted at this URL: <https://echa.europa.eu/guidance-documents/guidance-on-reach>

Compatible Parts

 <p>TE Part # 1-1123723-7 3.96 EP HDR ASSY 7P(NATURAL)</p>	 <p>TE Part # 1-1318301-4 3.96EP HDR ASSY 4(7)P NAT/TUBE</p>	 <p>TE Part # 1744429-7 3.96 EP HDR ASSY 7P W/PEGS, GW</p>	 <p>TE Part # 3-1123722-7 3.96 EP PLUG HSG 7P(BLUE)</p>
 <p>TE Part # 1-1123724-4 3.96EP HDR ASSY 4(7)P NATURAL</p>	 <p>TE Part # 5-1123722-7 3.96 EP PLUG HSG 7P(BLACK)</p>	 <p>TE Part # 1-1318300-7 3.96 EP HDR ASSY 7P NAT/TUBE</p>	 <p>TE Part # 1744489-7 3.96 EP HDR ASY 07P NO PEG, GW</p>



TE Part # 1877285-7
07P EP SHRDR HDR ASMY, WHITE



TE Part # 5-1123723-7
3.96 EP HDR ASSY 7P(BLACK)



TE Part # 1744037-7
07P EC PWR.200 CL HDR ASSY VRT



TE Part # 1744057-7
3.96 EP HDR ASSY 7P W/PEGS



TE Part # 2-1744057-7
3.96 EP HDR ASSY 7P W/PEGS, BLUE



TE Part # 1744544-7
EP II TPA 07P, BLACK



TE Part # 1744427-7
EP Header Assy,Shrouded,7 Pos, GW



TE Part # 1744428-7
3.96 EP HDR ASSY 7P R/A, GW



TE Part # 3-1123723-7
3.96 EP HDR ASSY 7P(BLUE)



TE Part # 647676-7
3.96 EP HDR ASSY 7P R/A



TE Part # 1-1473059-5
3.96 EP CONN. HDR ASSY 5/7P(W/O4, 6)



TE Part # 1-1744429-7
EP II,HDR 7P,VERT,omit 2,4,6,W/ POST, GWT

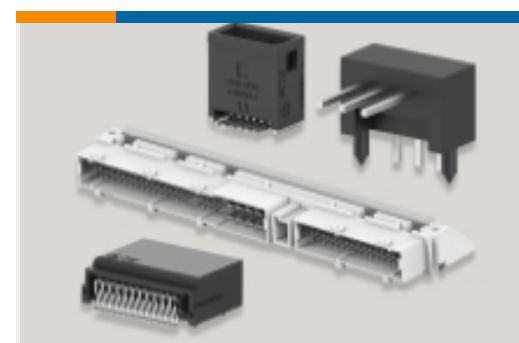
Also in the Series | Economy Power



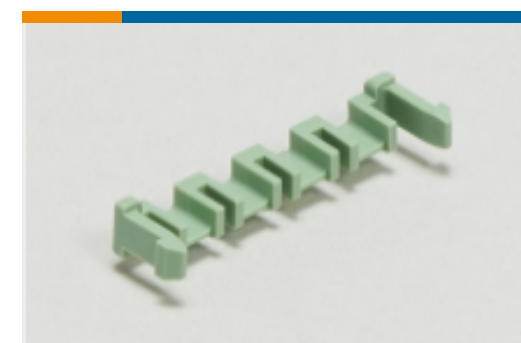
Connector Contacts(1)



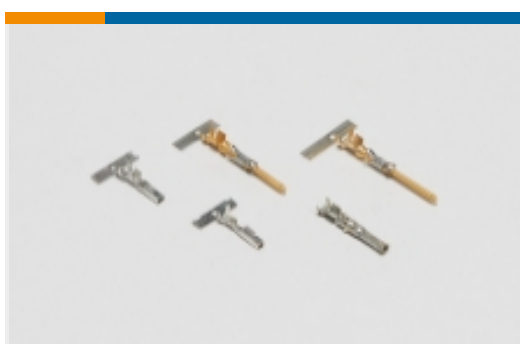
Insertion & Extraction Tools(1)



PCB Headers & Receptacles(162)



PCB Latches, Locks & Retainers(2)



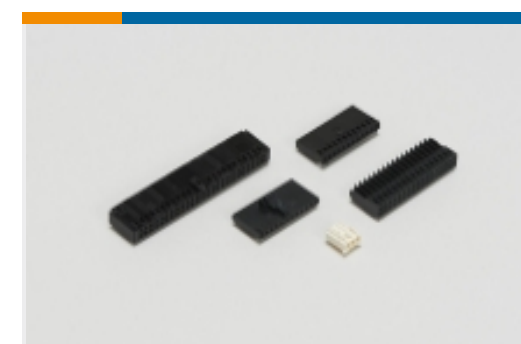
Power Contacts(8)



Rectangular Connector Housings(1)



Rectangular Power Connectors(302)

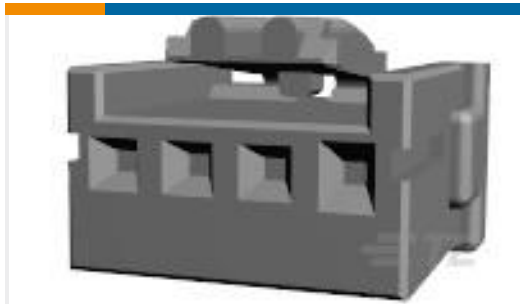


Wire-to-Board Connector Assemblies & Housings(142)

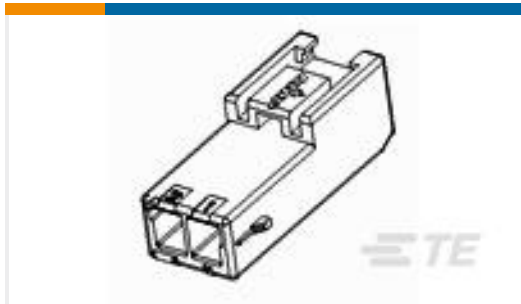


Wire-to-Board Connector Contacts(6)

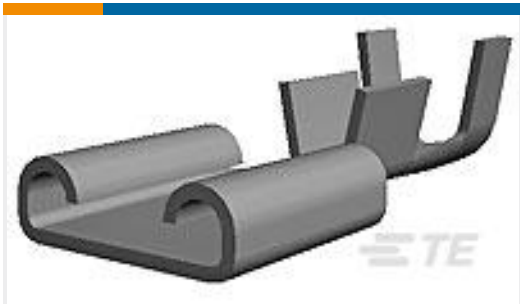
Customers Also Bought



TE Part #917688-1
SIGNAL DOUBLE LOCK PLUG HSG 4P NATURAL



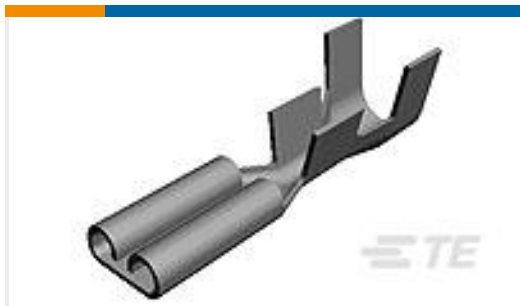
TE Part #2005248-1
PDL 2P CAP 3.96 F/H(GWT) NAT



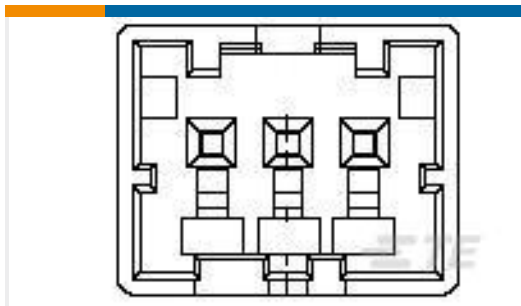
TE Part #170183-2
250 FASTON, REC., 22-18 AWG, TPBR



TE Part #1744144-1
EP-II CONTACT LANCELESS, 22-18



TE Part #170213-2
250 FASTON, REC., 18-14 AWG, TPBR



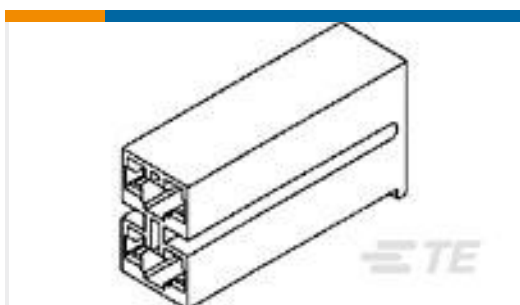
TE Part #1903392-1
GIC 2.5 W CAP HSG 3P NATURAL



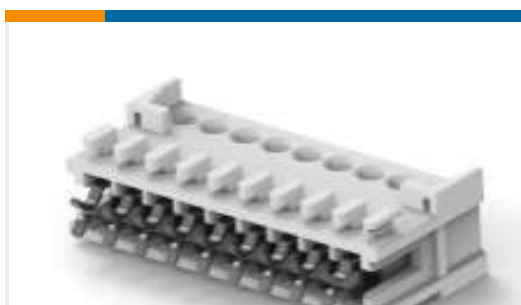
TE Part #6-1241961-3
STD TIM HOUSING MKII 2POS



TE Part #696422-4
PIDG PVF2 R 22-16COM22-18MIL 6



TE Part #1-172210-2
2P PL MK-2 187(4.8 MM) HOUSING REC



TE Part #1-2232892-9
9P MONOPLUG 2.5

Documents

Product Drawings

7 POS EP II HSG, GLOW WIRE

English

CAD Files

3D PDF

3D

Customer View Model

ENG_CVM_CVM_1744416-7_E.2d_dxf.zip



English

Customer View Model

[ENG_CVM_CVM_1744416-7_E.3d_igs.zip](#)

English

Customer View Model

[ENG_CVM_CVM_1744416-7_E.3d_stp.zip](#)

English

By downloading the CAD file I accept and agree to the [Terms and Conditions](#) of use.

Datasheets & Catalog Pages

[Economy Power II \(EP II\) Glow Wire test compliant connectors](#)

English

[1-1773885-9 Economy Power Connectors](#)

English

Product Specifications

[Application Specification](#)

English

Product Environmental Compliance

[TE Material Declaration](#)

English

Instruction Sheets

[Instruction Sheet \(U.S.\)](#)

English

Agency Approvals

[UL Report](#)

English