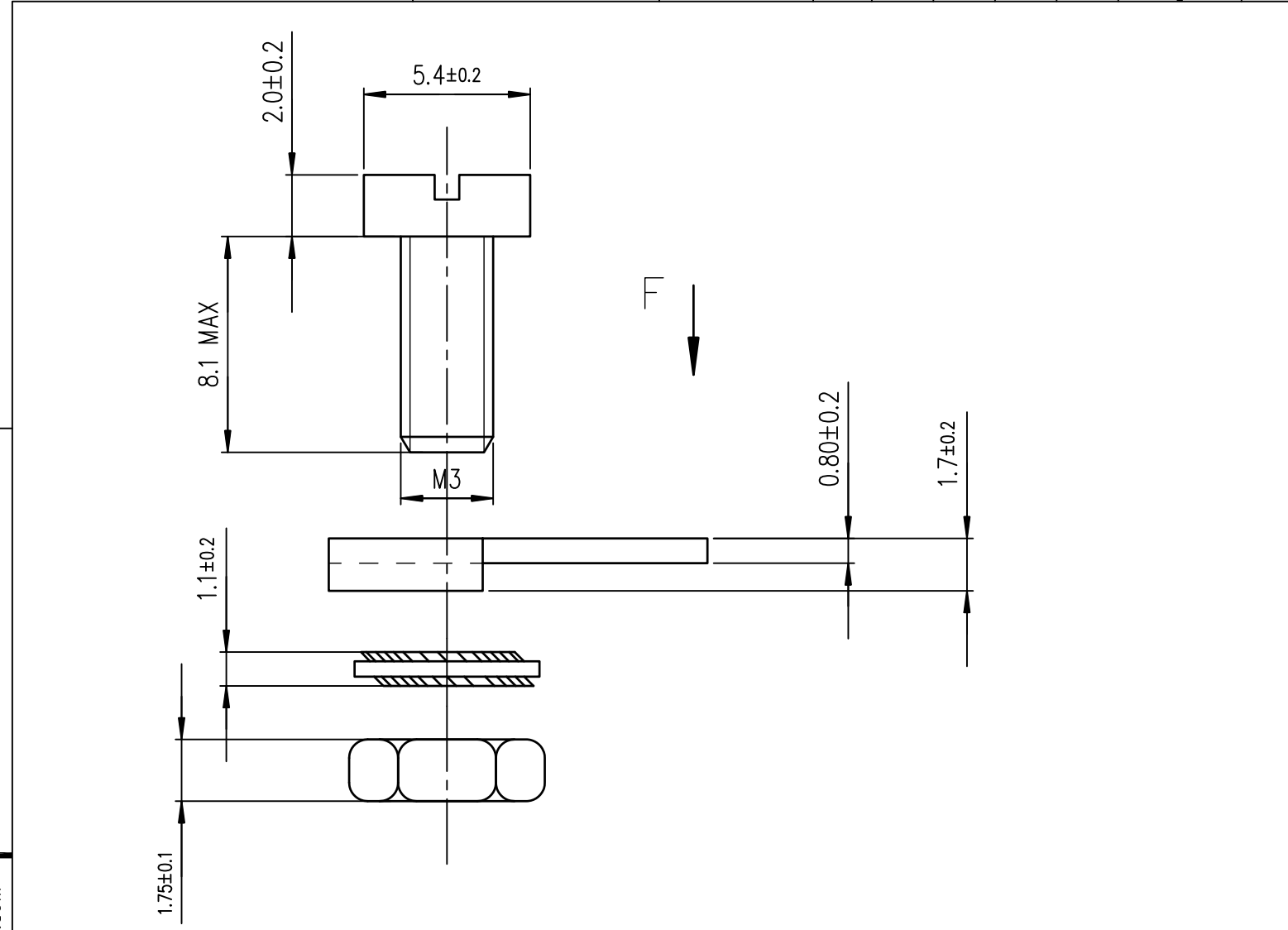
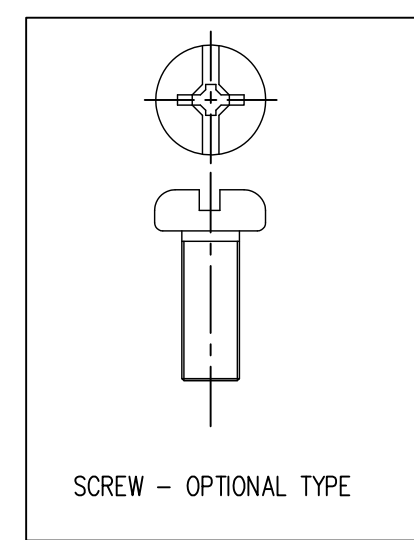
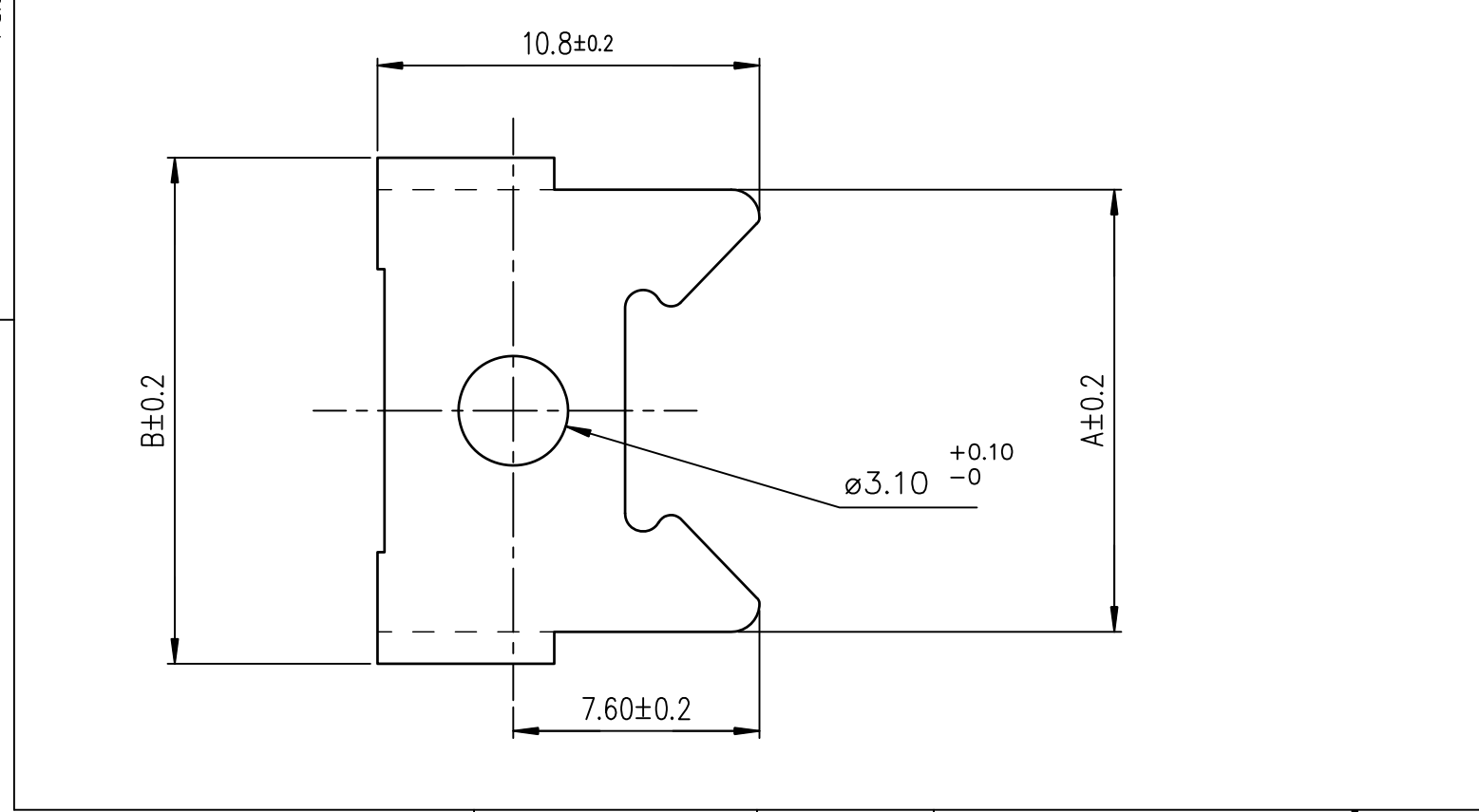




Copyright FCJ



view F



SCREW - OPTIONAL TYPE

SCREW - BOTH HEAD TYPES ALLOWED PER LOT

PLATING : zinc

PART NUMBER	PACKAGING	A	B
86303425*	per 100 pieces	12.50	14.30
863034252*	per 2 pieces	12.50	14.30
86303426*	per 100 pieces	15.40	17.10
863034262*	per 2 pieces	15.40	17.10

* Add LF for Lead Free P/N

mat'l. code		surface		tolerance		projection		product family	
-		ISO 1302 ✓		ISO 406 ISO 1101				D-SUB	
ltr	ecn no	dr	date	tolerances unless otherwise specified					
J	ELX-I-22354	MP	2015/10/30	angles	linear	MM		title	
				0°±2°		scale 5:1		FEMALE LEVER LOCKS	
								(SHELL SIZE 09 15 25 37 50)	
				dr	JARRY	1997/06/11	FCJ		dwg no
				engr	MITHUN PAUL	2015/10/30			sheet 1 of 1
				chr	ALIAS BABU	2015/10/30			size
				app	BIJU K PAUL	2015/10/30			A3
sheet index		revision sheet		type Product Customer Drawing					
1		1							