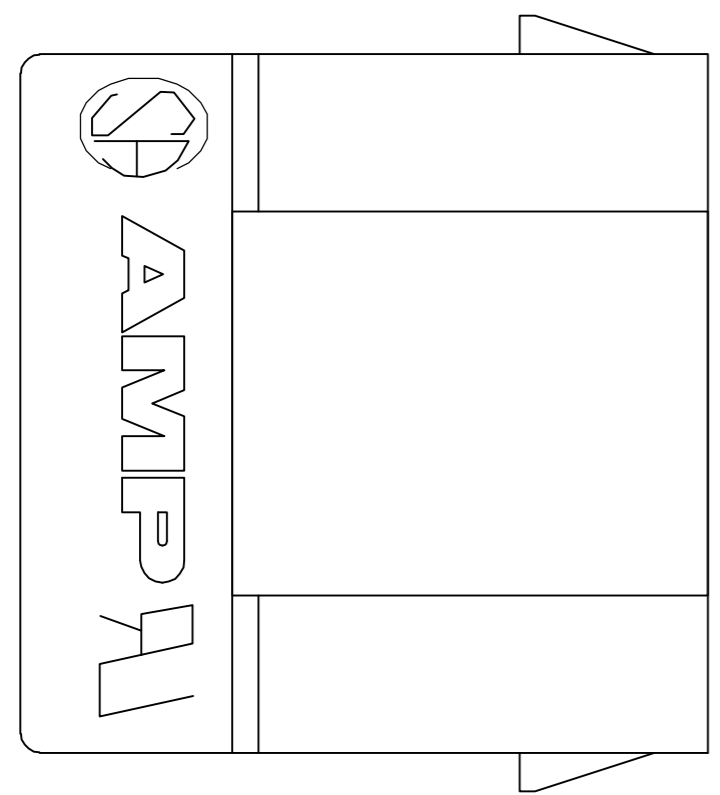
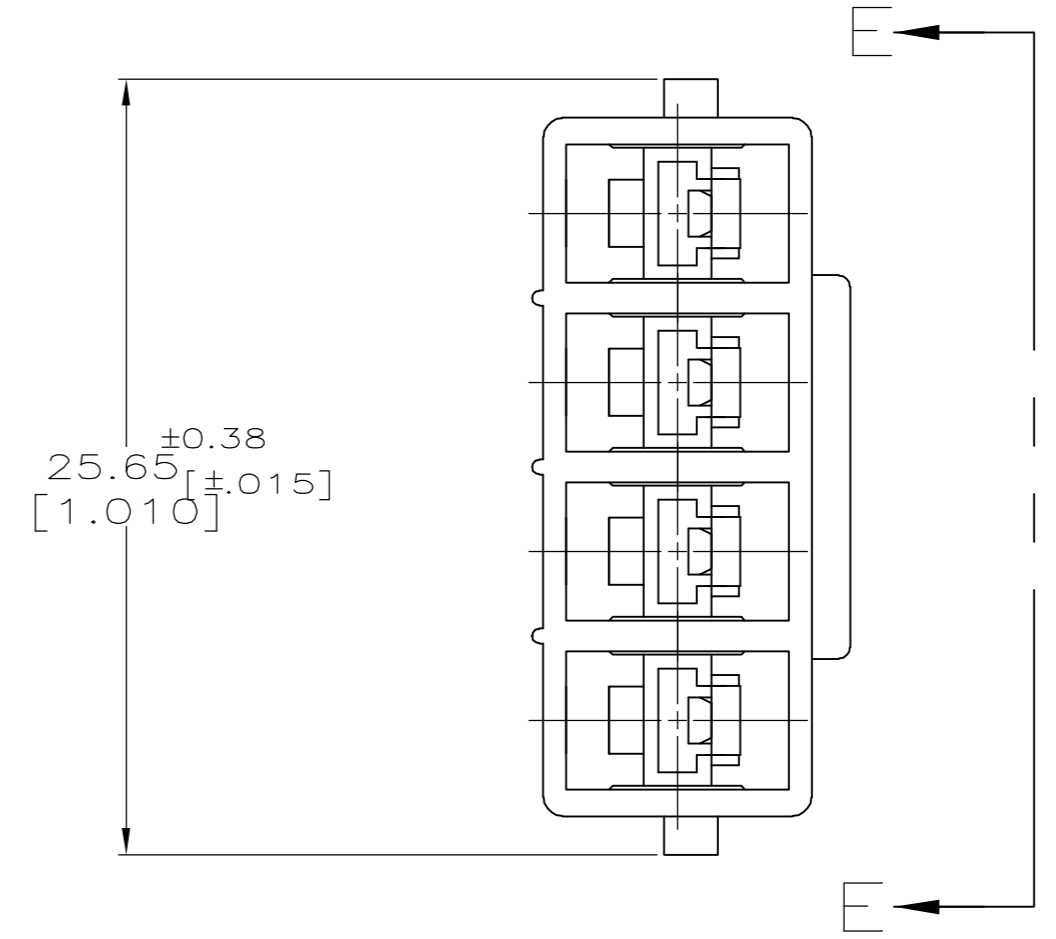
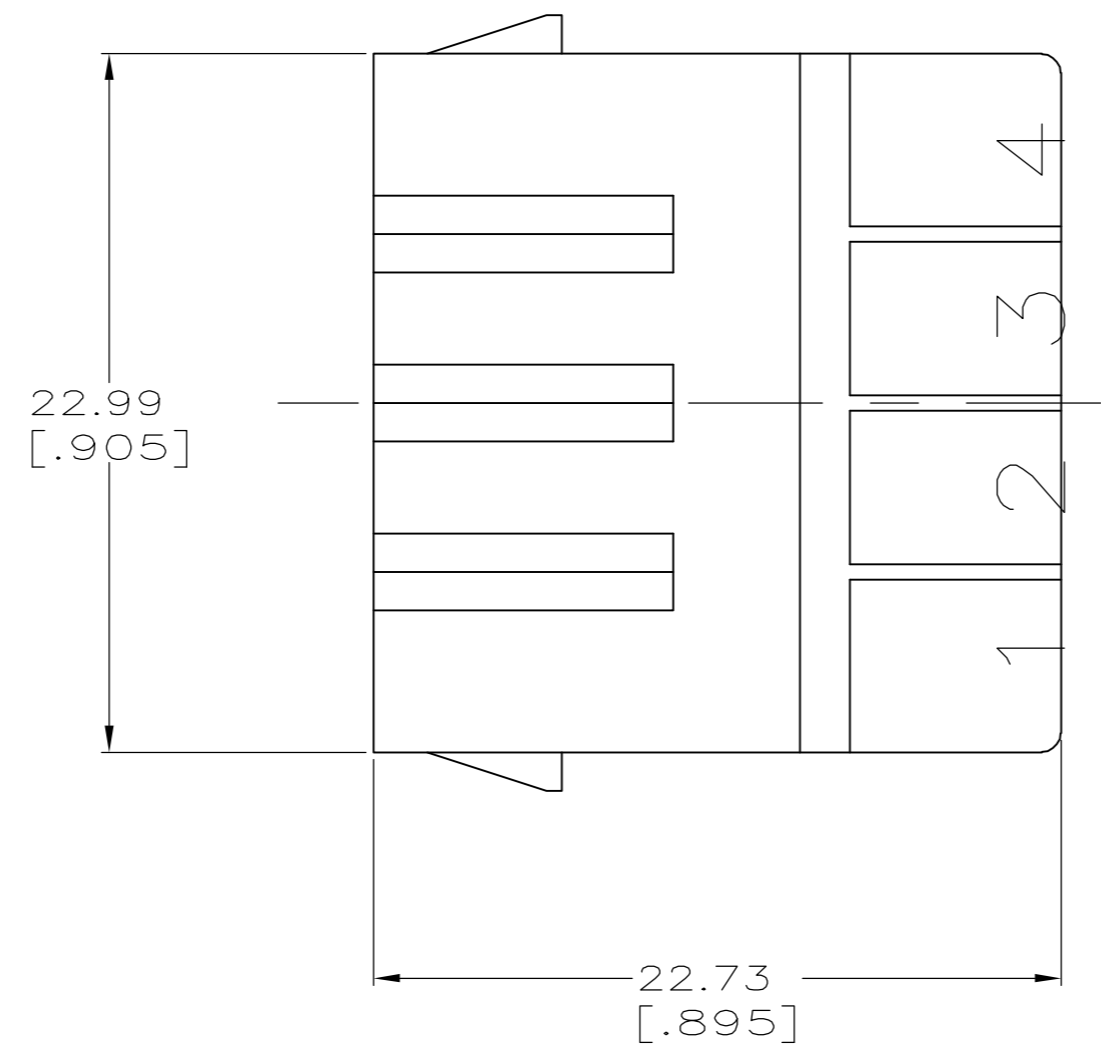
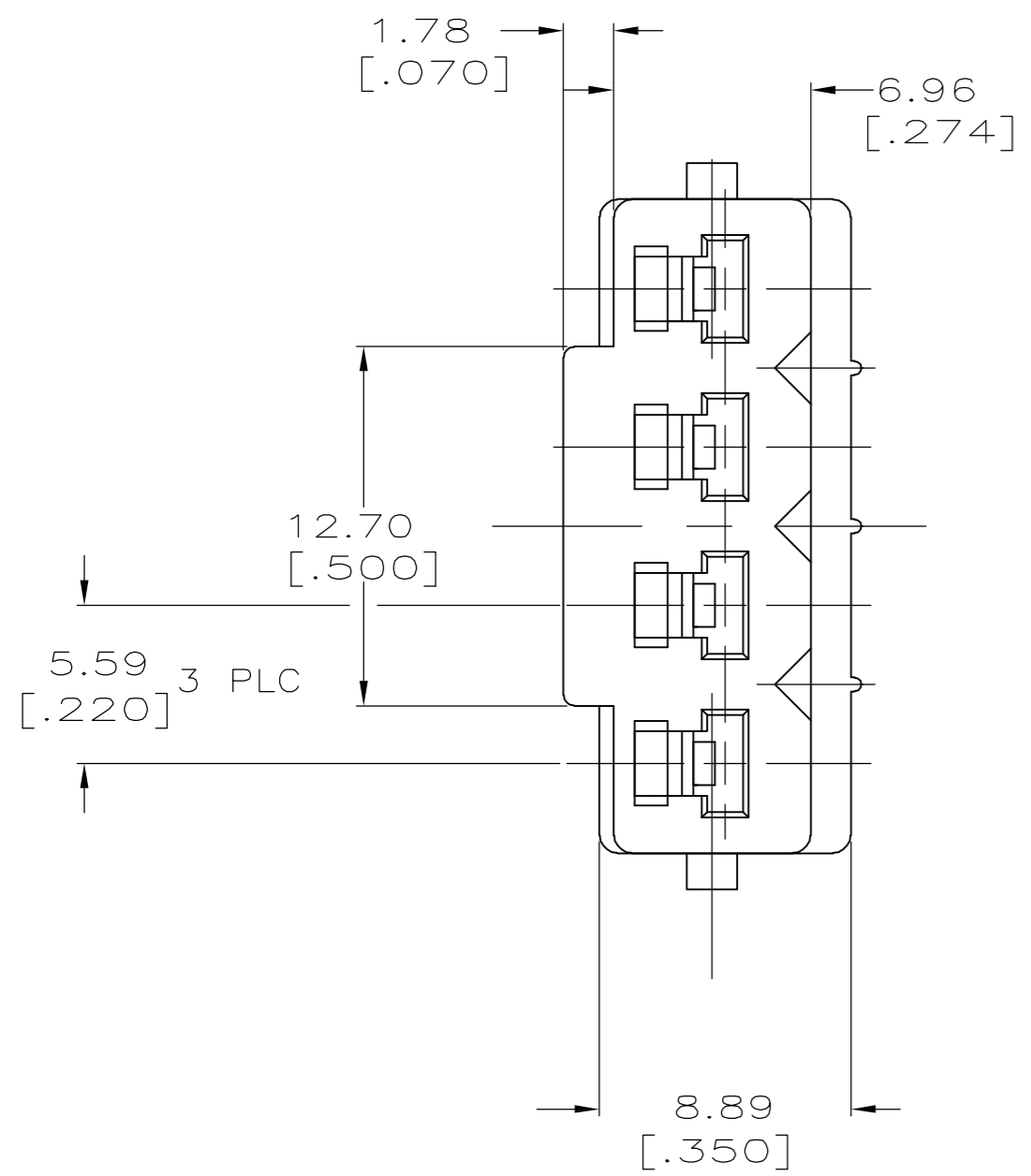
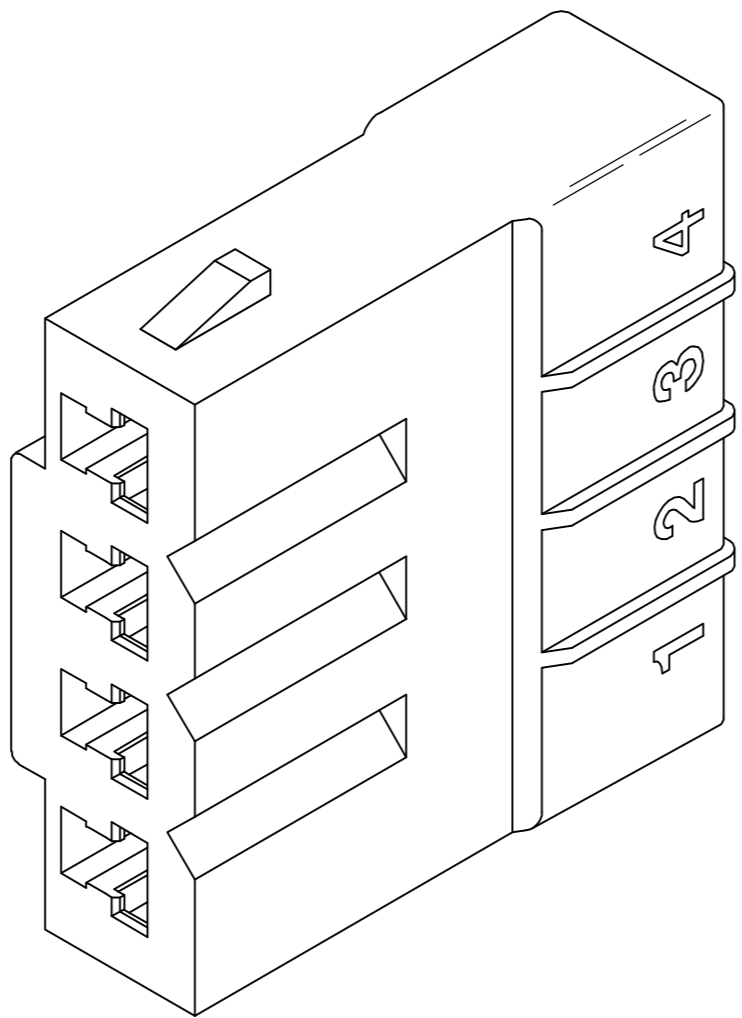


THIS DRAWING IS UNPUBLISHED. RELEASED FOR PUBLICATION
 © COPYRIGHT BY TYCO ELECTRONICS CORPORATION. ALL RIGHTS RESERVED.

LOC		DIST		REVISIONS					
AF		50		P	LTR	DESCRIPTION	DATE	DWN	APVD
				E		REACTIVATED -2 PER ECR-07-006169	20MAR07	MF	JK



VIEW E-E



3-DIMENSIONAL VIEW NTS

- 1 PART ACCEPTS RECEPTACLE CONTACT PART NO 770642-1
- 2 PART MATES WITH .125 BLADE CAP PART NO 521048-1.
- 3 THIS MATERIAL HAS A 130C ELECTRICAL TEMPERATURE INDEX RATING BY U.L. AND 94 V-2 FLAMMABILITY RATING.
- 4 THIS MATERIAL HAS A 125C ELECTRICAL TEMPERATURE INDEX RATING BY U.L. AND 94 V-2 FLAMMABILITY RATING.

	NATURAL	NYLON 6/6	521047-2
OBSOLETE	BLACK	PBT	521047-1
	COLOR	MATERIAL	PART NO

THIS DRAWING IS A CONTROLLED DOCUMENT.		DWN P FORTNEY 11/8/93	Tyco Electronics Corporation Harrisburg, PA 17105-3608	
DIMENSIONS: INCHES		CHK JR RUTH 11/8/93		
TOLERANCES UNLESS OTHERWISE SPECIFIED:		APVD R KUZO 11/8/93	NAME	
0 PLC ± - 1 PLC ± - 2 PLC ± 0.25 [.010] 3 PLC ± - 4 PLC ± - ANGLES ± - FINISH SEE TABLE		PRODUCT SPEC	PLUG,4 CIRCUIT, 3.18 [.125] BLADE	
MATERIAL SEE TABLE		APPLICATION SPEC	SIZE A2	CAGE CODE 00779
		WEIGHT -	DRAWING NO C=521047	RESTRICTED TO -
		CUSTOMER DRAWING	SCALE 4:1	SHEET 1 OF 1
			REV E	