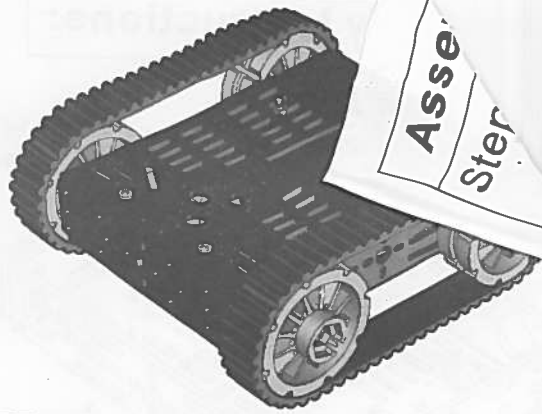
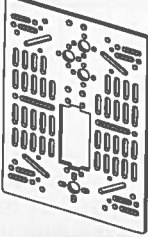
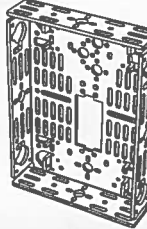
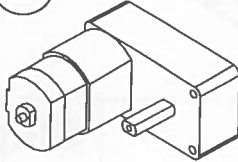
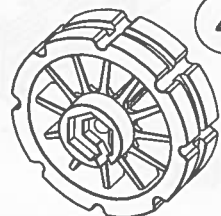
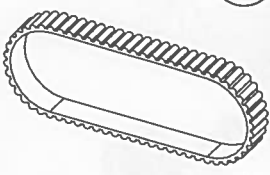
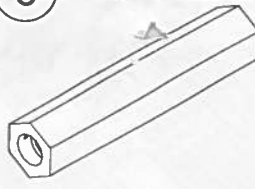
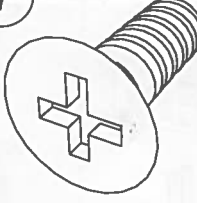
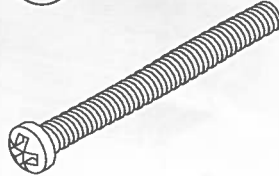
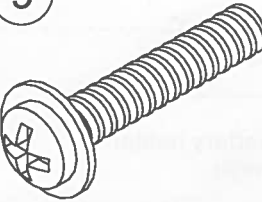
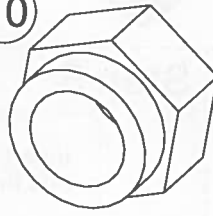

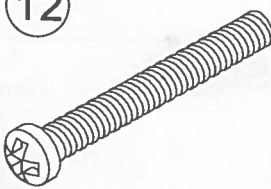
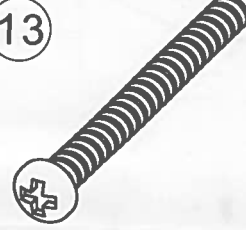

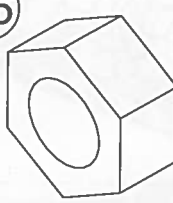
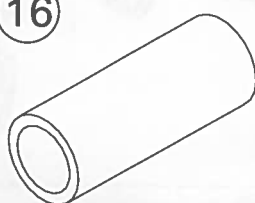
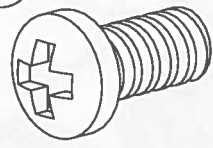
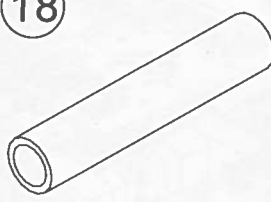
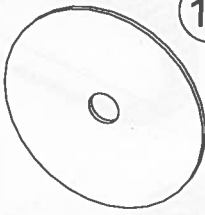
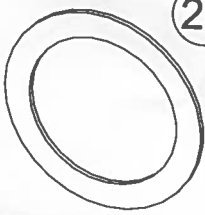
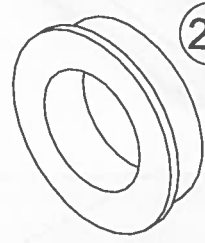
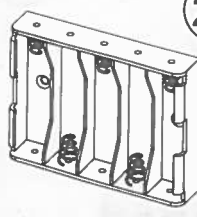
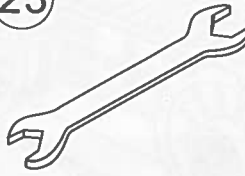



DG012-SV Multi chassis_tank (standard version)

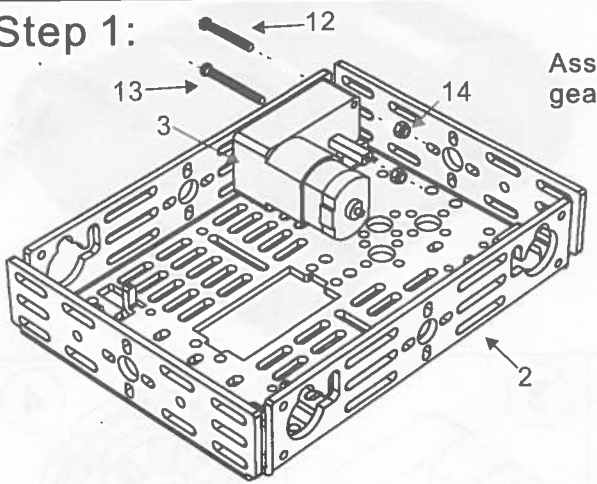


Parts list:

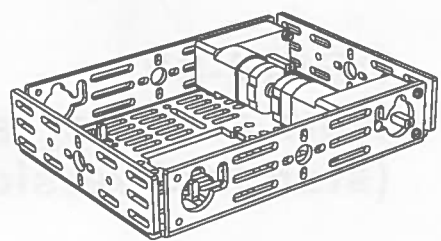
| | | | |
|---|---|---|---|
| <p>1</p>  <p>Aluminum chassis top 1pc</p> | <p>2</p>  <p>Aluminum chassis bottom 1pc</p> | <p>3</p>  <p>DC motor 2pcs</p> | <p>4</p>  <p>Track wheel 4pcs</p> |
| <p>5</p>  <p>Rubber belt 2pcs</p> | <p>6</p>  <p>Distance holder M3*25 4pcs</p> | <p>7</p>  <p>M3*8 flat-head screw 6pcs</p> | <p>8</p>  <p>M3*30 screw 2pcs</p> |
| <p>9</p>  <p>M3*16 screw with flange 2pcs</p> | <p>10</p>  <p>M3 nylon nut 2pcs</p> | <p>11</p>  <p>M3 washer (thin) 6pcs</p> | <p>12</p>  <p>M2.5*20 screw 2pcs</p> |
| <p>13</p>  <p>M2.5*25 screw 2pcs</p> | <p>14</p>  <p>M2.5 nylon nut 4pcs</p> | <p>15</p>  <p>M3 nut 2pcs</p> | <p>16</p>  <p>Φ3*10 collar 2pcs</p> |
| <p>17</p>  <p>M3*8 screw 8pcs</p> | <p>18</p>  <p>Φ3*20 collar 2pcs</p> | <p>19</p>  <p>Washer(3*20) 4pcs</p> | <p>20</p>  <p>Washer(15*20) 4pcs</p> |
| <p>21</p>  <p>10*15*4 flange bearings 4pcs</p> | <p>22</p>  <p>5*AA battery holder 1pc</p> | <p>23</p>  <p>Spanner (M2.5 & M4) 1pc (M2 & M3) 1pc</p> | <p>24</p>  <p>Screw driver 1pc</p> |

Assembly Instructions:

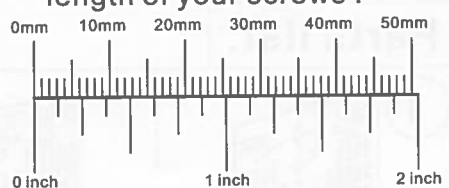
Step 1:



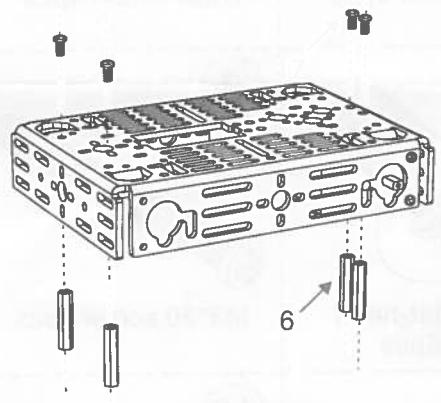
Assembly the gear box 2pcs



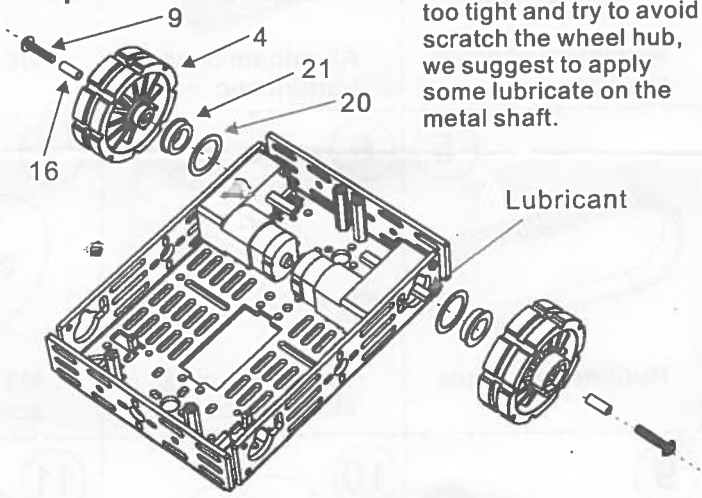
Use the ruler to check the length of your screws .



Step 2:

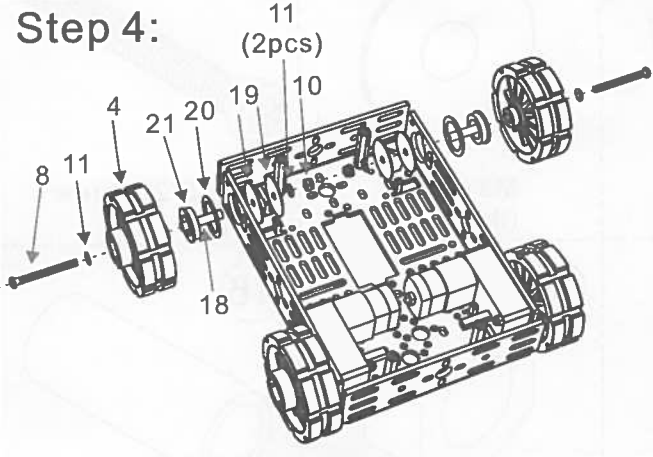


Step 3:

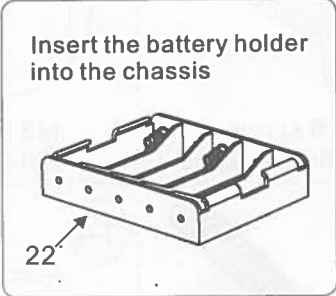


Due to the wheel and metal shaft matching too tight and try to avoid scratch the wheel hub, we suggest to apply some lubricate on the metal shaft.

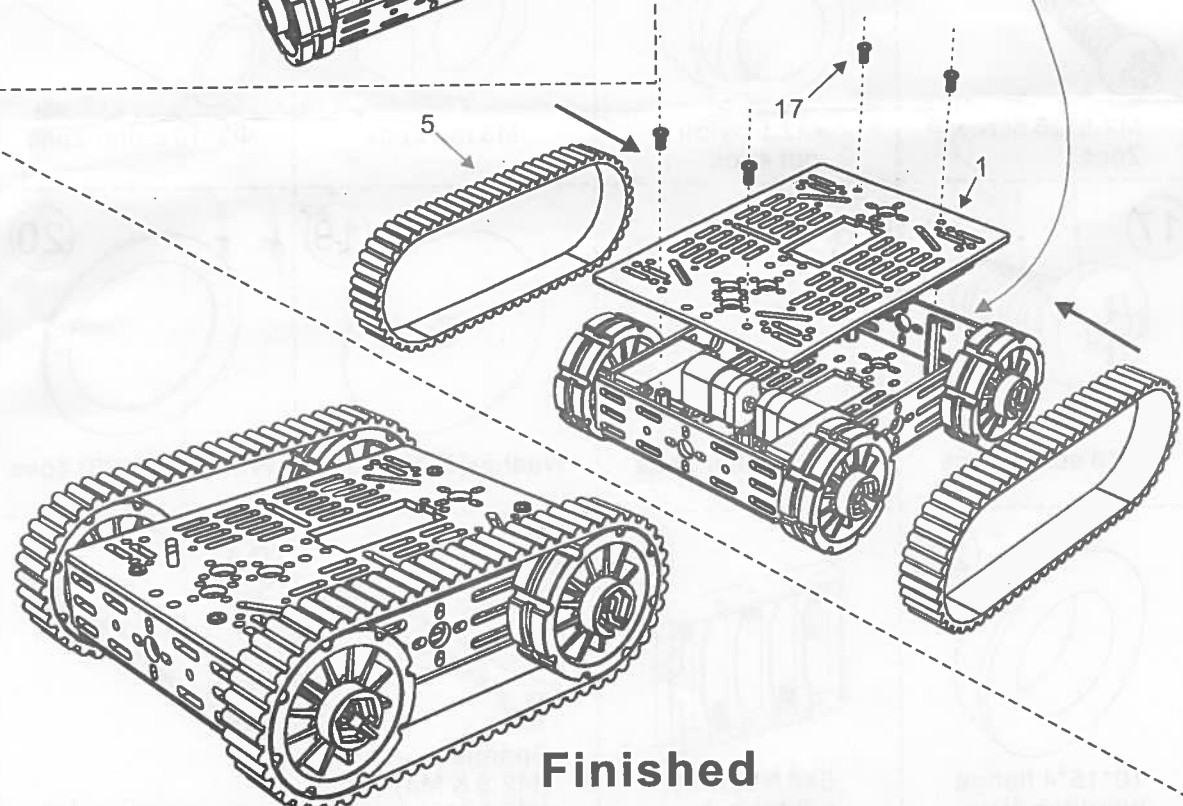
Step 4:



Step 5:



Insert the battery holder into the chassis



Finished