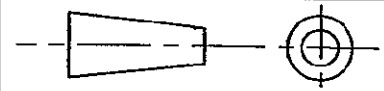


C.A.D. FILE CODE  
5. C344273

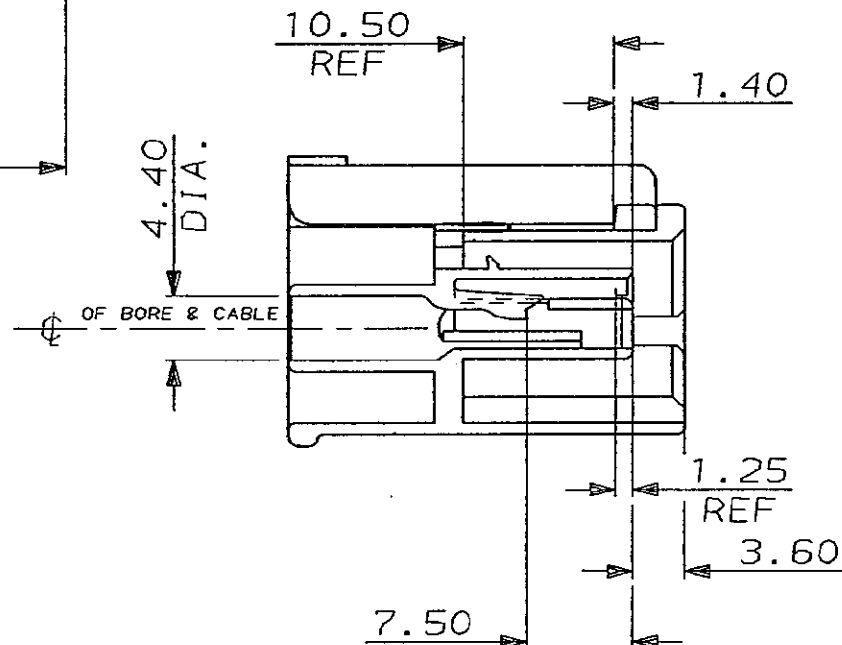
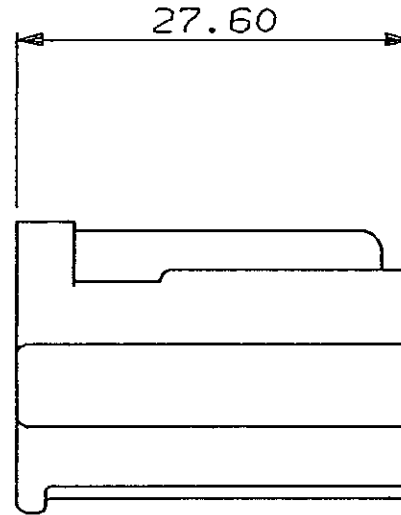
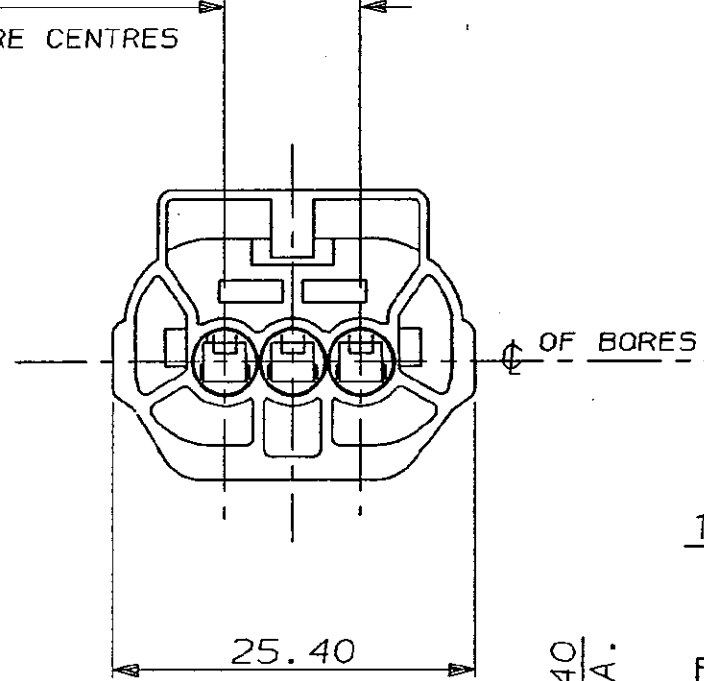
DO NOT SCALE

DIMENSIONS IN MM.

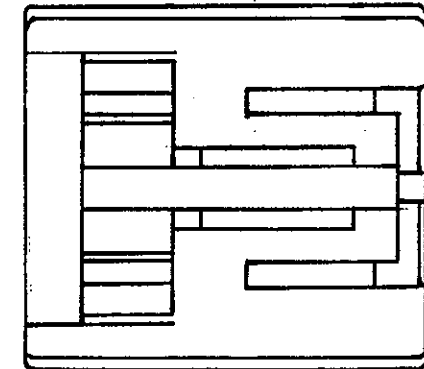
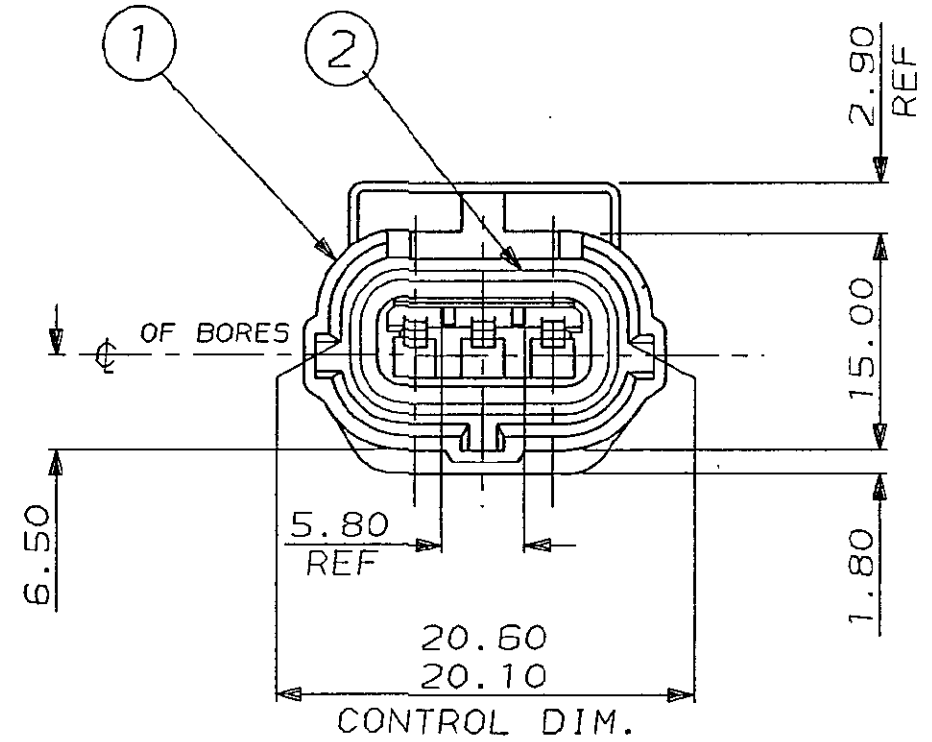


2 x 4.80  
= 9.60

BORE CENTRES



SCRAP VIEW (SEAL NOT SHOWN)



SCRAP VIEW

ITEM No.	COLOUR	MATERIAL	PART No.	DESCRIPTION	QTY. PER ASSY.	ASSEMBLY PART No.
2	BLACK	Non BIS NBR		PERIPHERAL SEAL	1	1-344273-4 (WHITE)
1	WHITE	NYLON 66	344272-4	3 WAY REC. HSG.	1	
2	BLACK	Non BIS NBR		PERIPHERAL SEAL	1	1-344273-3 (BLUE)
1	BLUE	NYLON 66	344272-3	3 WAY REC. HSG.	1	
2	BLACK	Non BIS NBR		PERIPHERAL SEAL	1	1-344273-2 (RED)
1	RED	NYLON 66	344272-2	3 WAY REC. HSG.	1	
2	BLACK	Non BIS NBR		PERIPHERAL SEAL	1	1-344273-1 (BLACK)
1	BLACK	NYLON 66	344272-1	3 WAY REC. HSG.	1	
2	ORANGE	SILICONE RUBBER		PERIPHERAL SEAL	1	344273-4 (WHITE)
1	WHITE	NYLON 66	344272-4	3 WAY REC. HSG.	1	
2	ORANGE	SILICONE RUBBER		PERIPHERAL SEAL	1	344273-3 (BLUE)
1	BLUE	NYLON 66	344272-3	3 WAY REC. HSG.	1	
2	ORANGE	SILICONE RUBBER		PERIPHERAL SEAL	1	344273-2 (RED)
1	RED	NYLON 66	344272-2	3 WAY REC. HSG.	1	
2	ORANGE	SILICONE RUBBER		PERIPHERAL SEAL	1	344273-1 (BLACK)
1	BLACK	NYLON 66	344272-1	3 WAY REC. HSG.	1	

CUSTOMER DRG.  
FOR REFERENCE ONLY.

REV	MODIFICATION	ECO	DATE
K3		ECR-15-009767	29JUN2015
K2	Seal Replacement	ECR-14-016166	18MAR2015
K1		REVISED PER ECO-11-005294	08APR11

TOLERANCES UNLESS OTHERWISE STATED :  
DEC ± 0.5  
ANGLES ± 1°

DR. R.S. 5.11.87  
CH. R.R. APP. B.J.



NAME 3 WAY REC. HSG. ASSY.  
ECONOSEAL 3 LOW CURRENT

SCALE	LOC	SIZE	DWG. No.	REV	SHEET
2/1	E	A3	C344273	K3	1/1