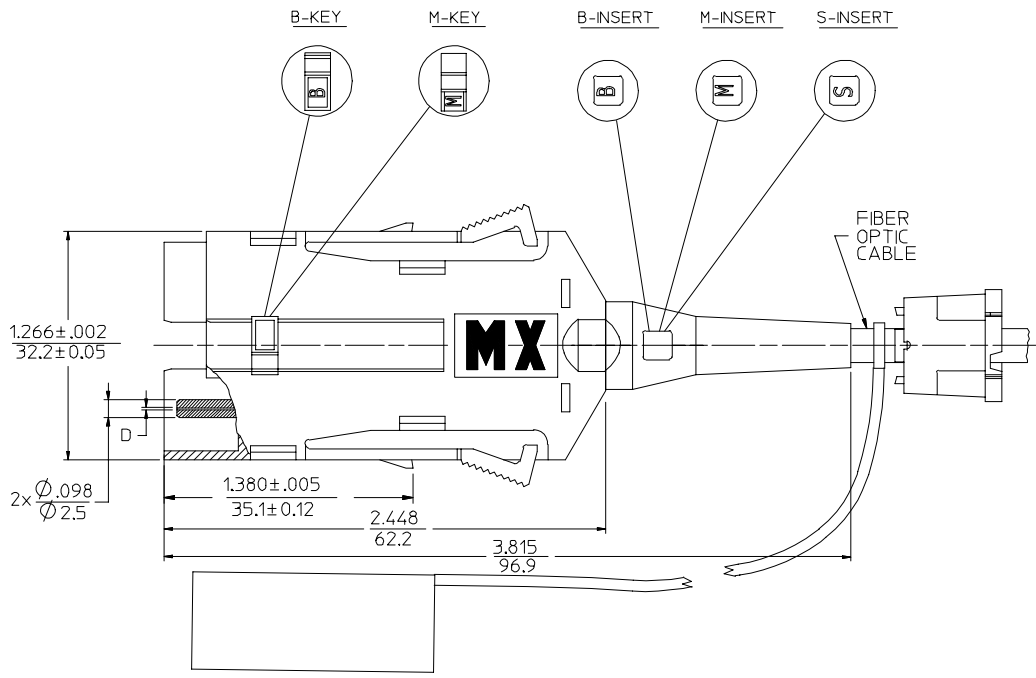
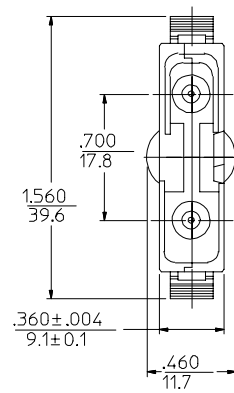


Ø D (4m)	P/N OF CONNECTOR	FERRULE MATERIAL	CONNECTOR COLOR	CABLE TYPE	
				Ø 4.1 mm NON-PLENUM	Ø 4.8 mm NON-PLENUM
127	106030-0000	Zr PLUS	BLACK	Ø 4.1 mm NON-PLENUM	MULTIMODE
	106030-0100			Ø 4.8 mm NON-PLENUM	
	106030-0200			ZPCORD	
	106030-0210*				
128	106030-3000	Zr		Ø 4.1 mm NON-PLENUM	
	106030-3100			Ø 4.8 mm NON-PLENUM	
	106030-3200			ZPCORD	



NOTES:
 1. INSERTS "A", "B" AND "M" SHOULD MATCH KEY TYPES "A", "B" AND "M" RESPECTIVELY. CONNECTOR WITHOUT KEY IS "S" TYPE, AND SHOULD HAVE S-INSERT. ORIENTATION OF KEYS AND INSERTS IS AS PER DRAWING.
 2. P/N 106030-0210 IS BULK PACKED IN QUANTITIES OF 100 PCS.

ENTER DESCRIPTION EC NO: MF2006-0424 DRAWN/RPAC I/C I 2006/01/24 CHKD: 2006/01/24 APPR: JGUMIN 2006/01/24 REV:	QUALITY SYMBOLS	GENERAL TOLERANCES (UNLESS SPECIFIED)		DIMENSION STYLE	SCALE	DESIGN UNITS	THIRD ANGLE PROJECTION	
		mm	INCH	IN/MM	2:1	INCH		
		4 PLACES	± ---	± ---	DRAWN BY	DATE	TITLE	
		3 PLACES	± ---	± ---	RPAC I/C I	2005/12/22	FDDI CONNECTOR (4.2-4.8 MM CABLE)	
	2 PLACES	± ---	± ---	CHECKED BY	DATE			
	1 PLACE	± ---	± ---	APPROVED BY	DATE			
	ANGULAR ±1/2°		MATERIAL NO.		DOCUMENT NO.	SHEET NO.		
DRAFT WHERE APPLICABLE MUST REMAIN WITHIN DIMENSIONS			SEE TABLE		SD-106030-XX00	1 OF 01		
THIS DRAWING CONTAINS INFORMATION THAT IS PROPRIETARY TO MOLEX INCORPORATED AND SHOULD NOT BE USED WITHOUT WRITTEN PERMISSION								