

Electronic housing - EG 90-AG/PC GN - 2764991

Please be informed that the data shown in this PDF Document is generated from our Online Catalog. Please find the complete data in the user's documentation. Our General Terms of Use for Downloads are valid (<http://phoenixcontact.com/download>)

Housing cover, closed




Illustration shows a fully mounted version of the electronic housing

Product Features

- Tool-free mounting
- Fast snap-on mounting on symmetrical DIN rails according to EN 60715
- Optimum accommodation of electronic components with graded pitches with a design width of 22.5 mm, 45 mm, 67.5 mm, and 90 mm
- Practical and easy-to-wire conductor connection using extra finely stranded sturdy screw terminal blocks up to 2.5 mm²
- Date of manufacture and material and part identification embossed on the housing (recyclability)
- Functional and industry-oriented housing technology
- Shock and contamination-proof accommodation of electronic components (IP40 housing, IP20 terminal blocks)



Key commercial data

Packing unit	1 pc
GTIN	 4 017918 132026
Weight per Piece (excluding packing)	34.79 GRM
Custom tariff number	85369010
Country of origin	Germany

Technical data

General

Housing type	Component housing
Housing material	ABS
Color	green

Electronic housing - EG 90-AG/PC GN - 2764991

Technical data

Ambient conditions

Ambient temperature (operation)	80 °C
---------------------------------	-------

Dimensions

Length	75 mm
Constructional height	17.5 mm
Width	90 mm

Technical data

Inflammability class according to UL 94	V0
Number of positions	34

Classifications

eCl@ss

eCl@ss 4.0	27180401
eCl@ss 4.1	27180401
eCl@ss 5.0	27180506
eCl@ss 5.1	27180506
eCl@ss 6.0	27180802
eCl@ss 7.0	27182702
eCl@ss 8.0	27182702

ETIM

ETIM 2.0	EC001031
ETIM 3.0	EC001031
ETIM 4.0	EC001031
ETIM 5.0	EC000886

UNSPSC

UNSPSC 6.01	31261501
UNSPSC 7.0901	31261501
UNSPSC 11	31261501
UNSPSC 12.01	31261501
UNSPSC 13.2	31261501

Approvals

Approvals

Electronic housing - EG 90-AG/PC GN - 2764991

Approvals

Approvals

UL Recognized

Ex Approvals

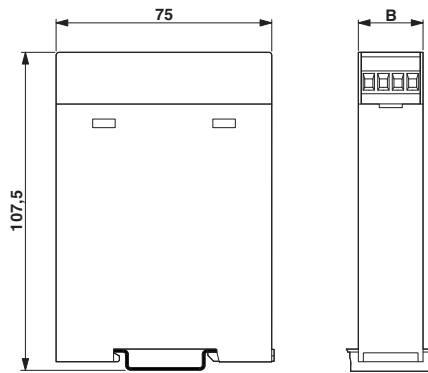
Approvals submitted

Approval details



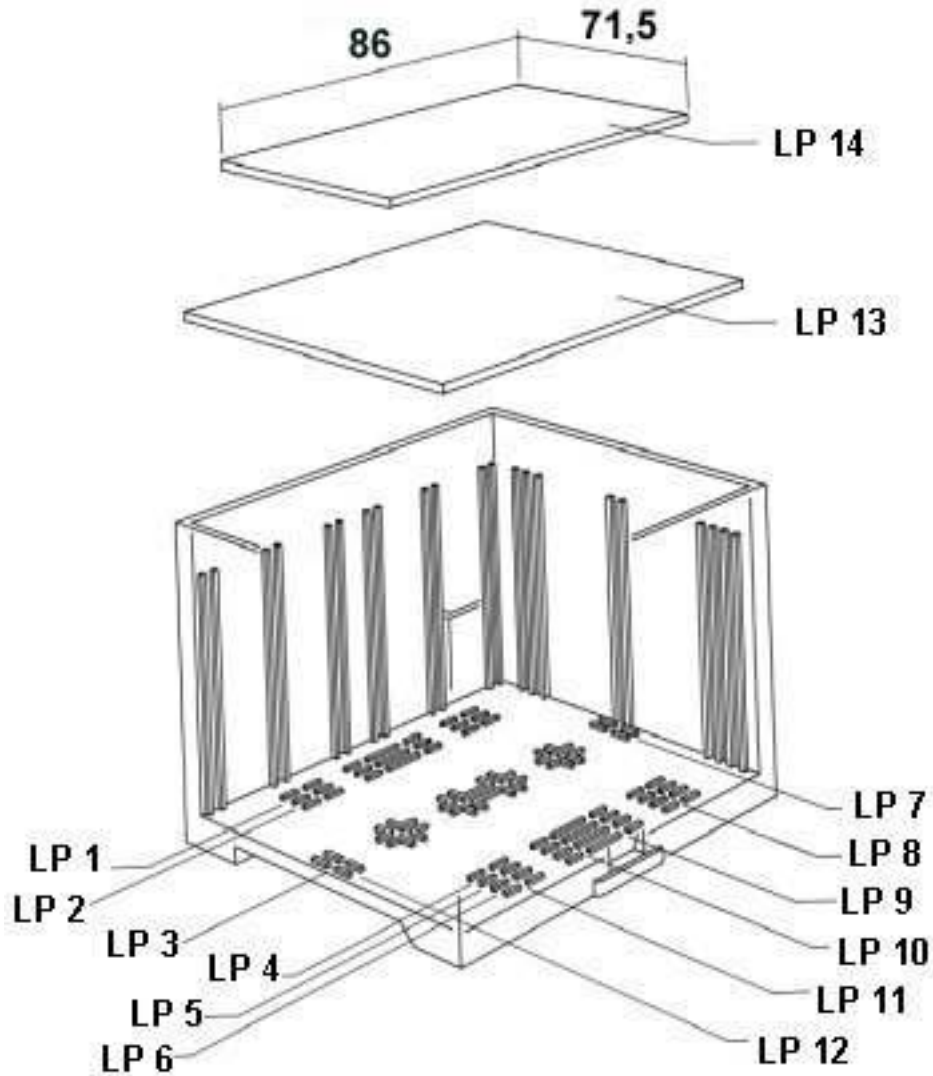
Drawings

Dimensioned drawing



Electronic housing - EG 90-AG/PC GN - 2764991

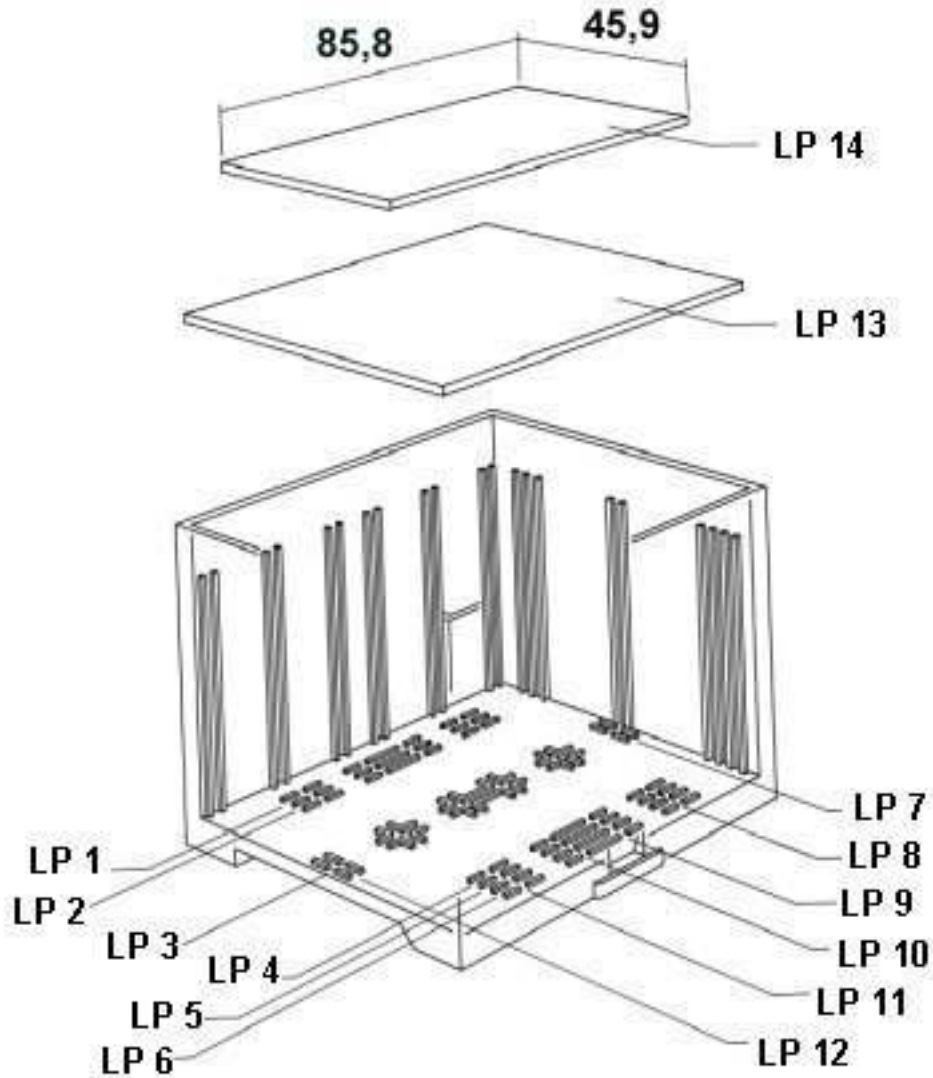
Explosion drawing



valid for PCB 13

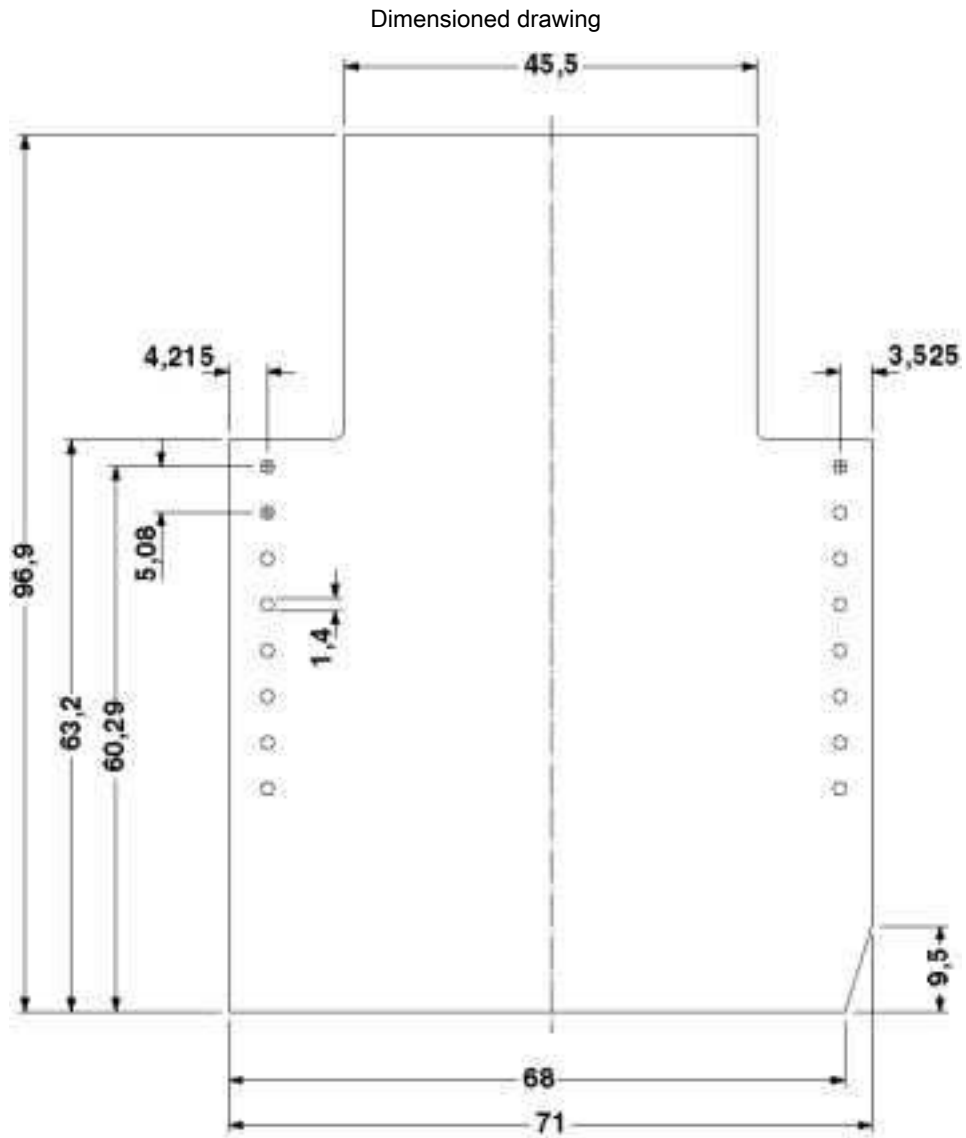
Electronic housing - EG 90-AG/PC GN - 2764991

Explosion drawing



valid for PCB 14

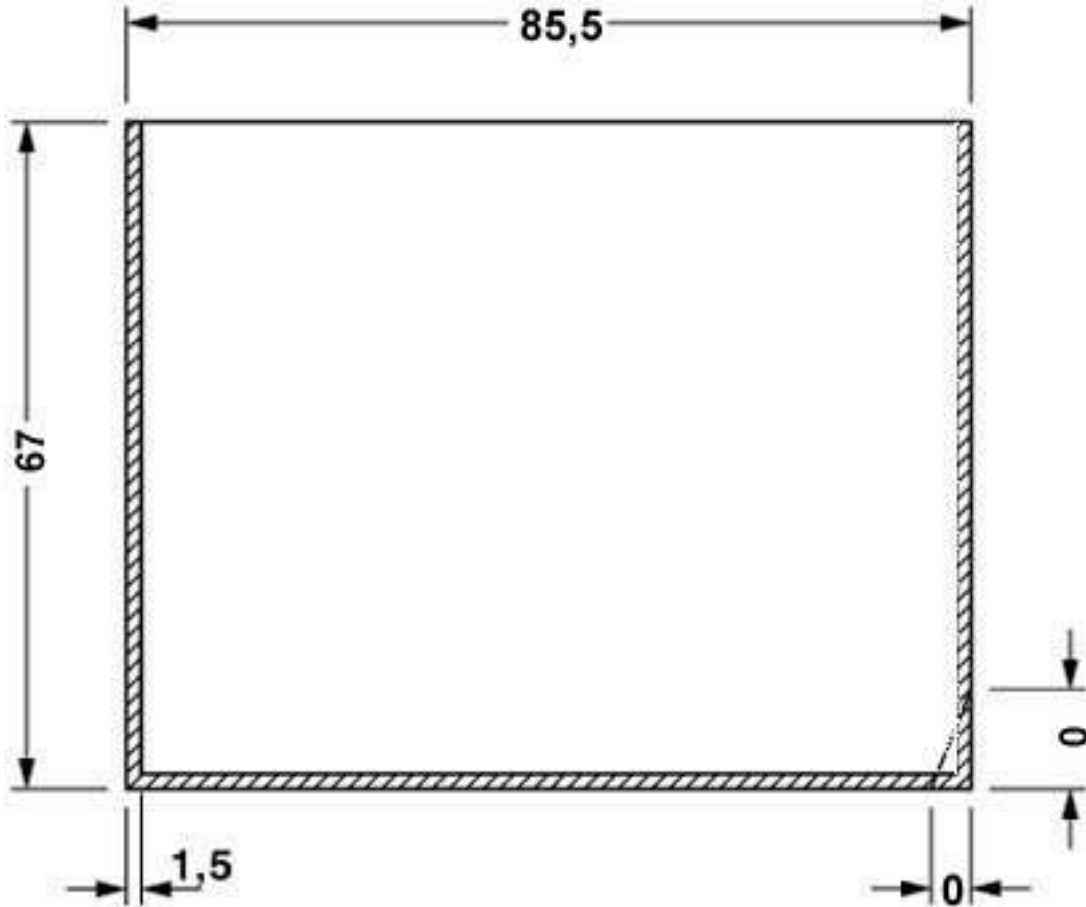
Electronic housing - EG 90-AG/PC GN - 2764991



Component mounting side, if the double-level upper part is used

Electronic housing - EG 90-AG/PC GN - 2764991

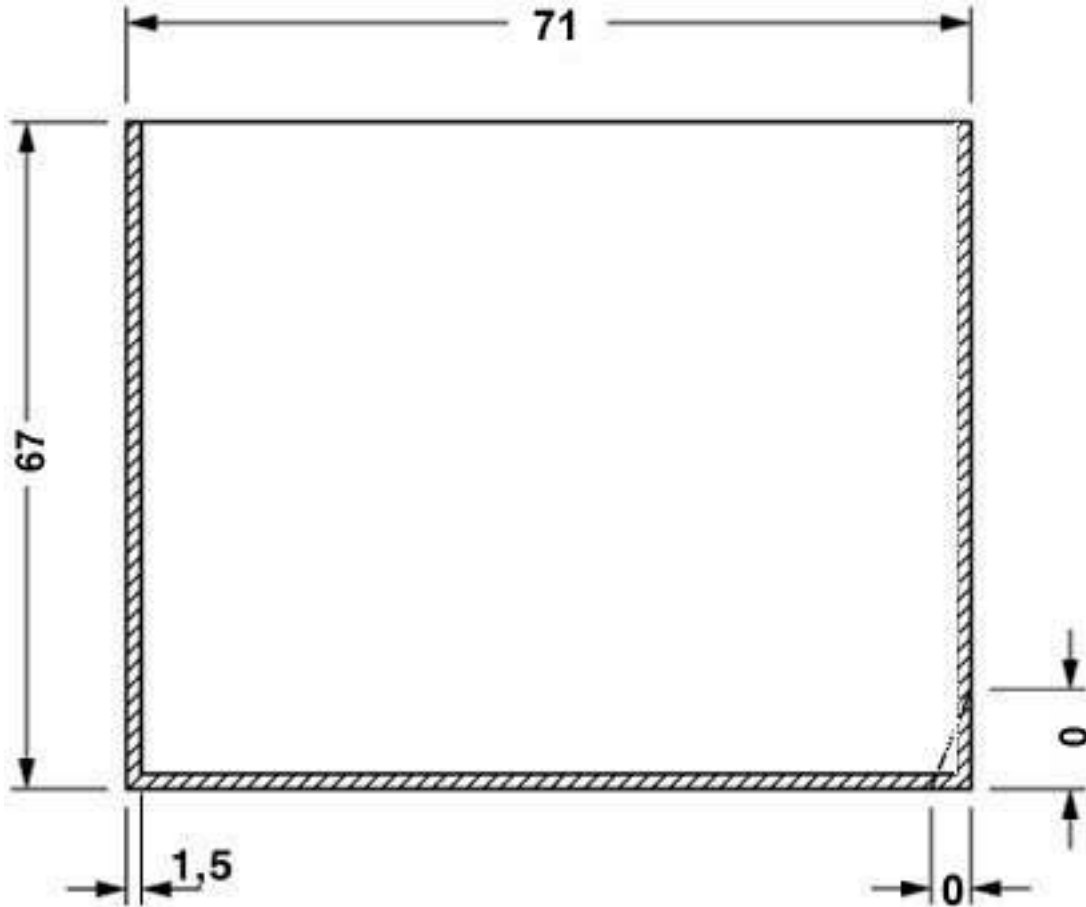
Dimensioned drawing



valid for PCB 1; 2; 3; 4; 5 und 6, see explosion drawing

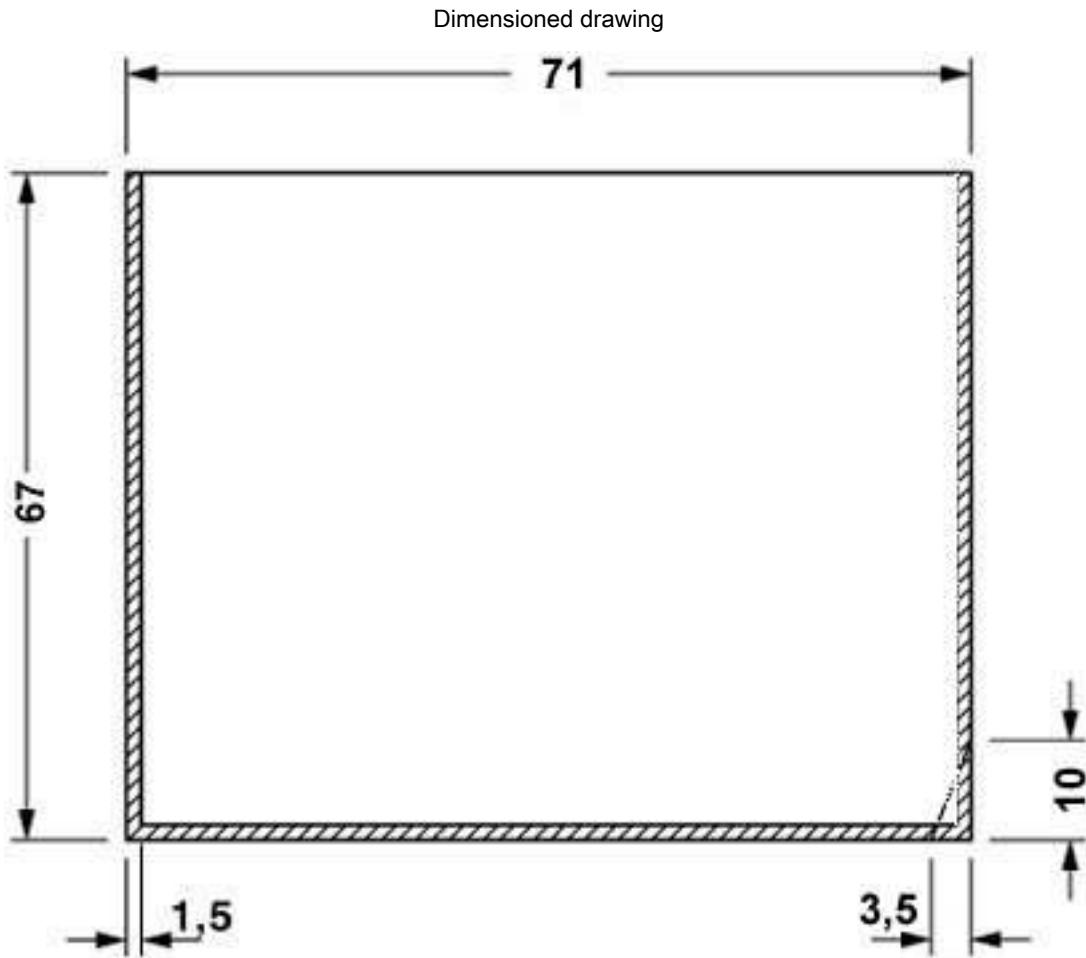
Electronic housing - EG 90-AG/PC GN - 2764991

Dimensioned drawing



valid for PCB 7; 8; 11 and 12, see explosion drawing

Electronic housing - EG 90-AG/PC GN - 2764991



valid for PCB 9 and 10, see explosion drawing