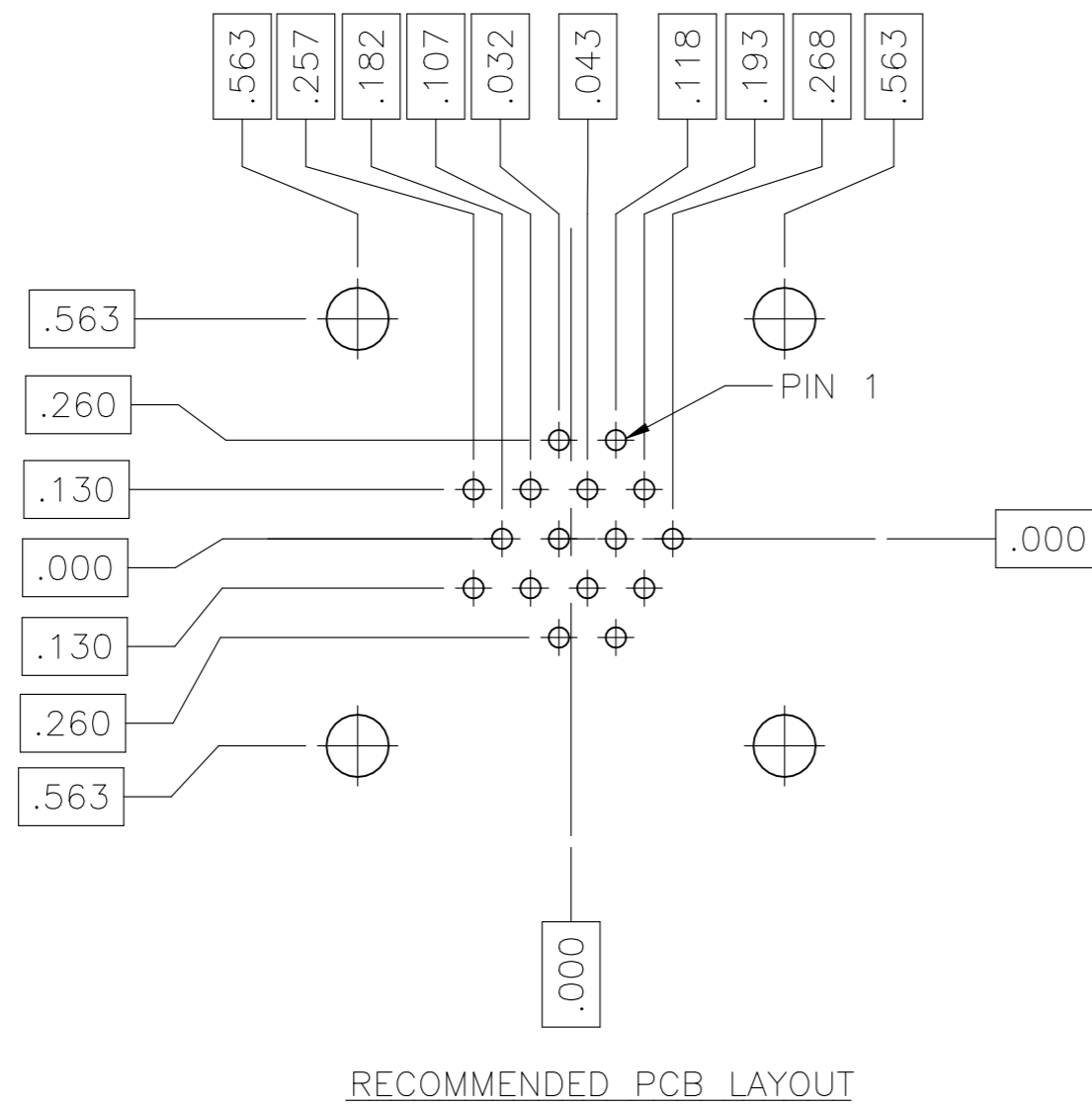
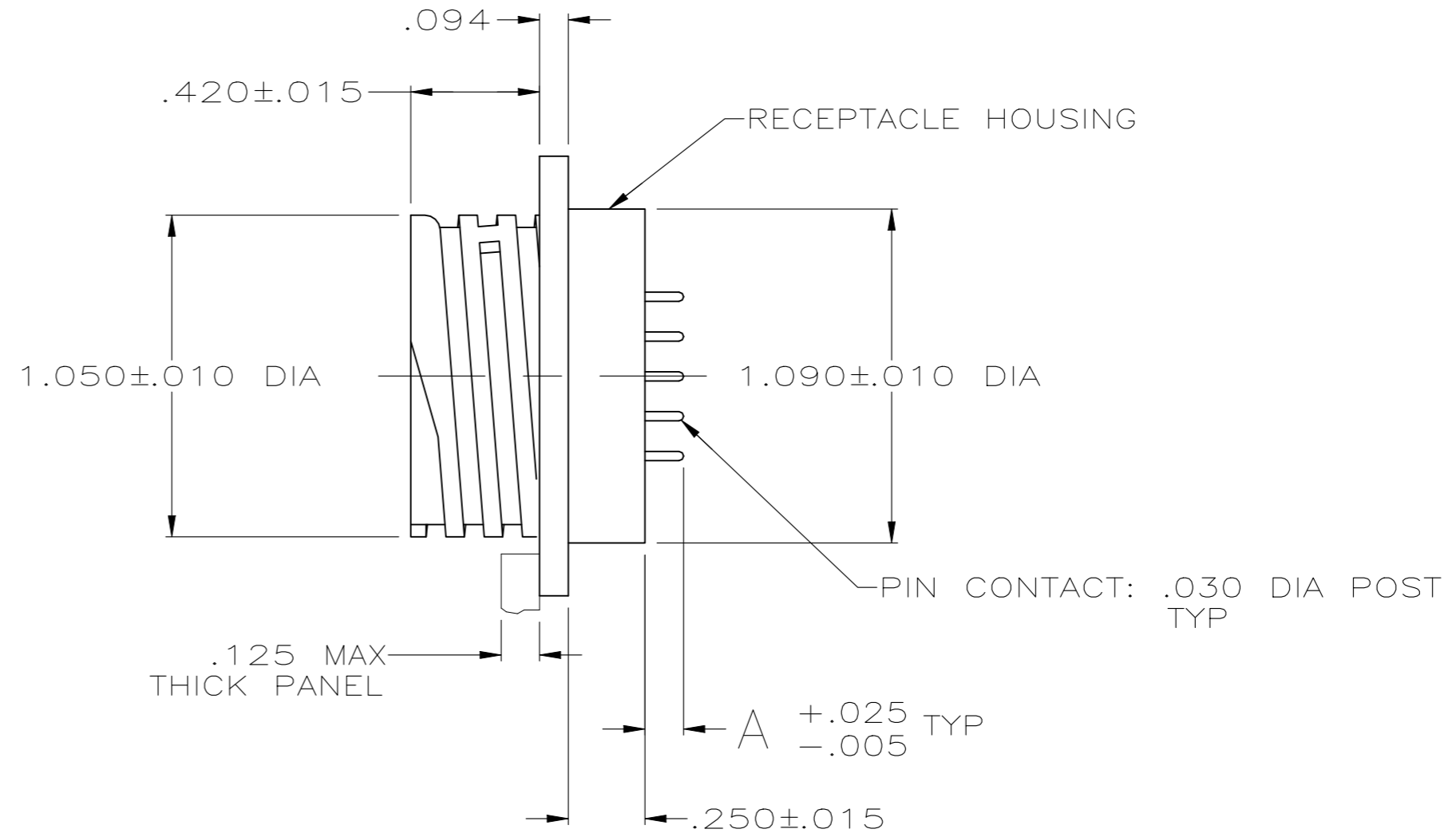
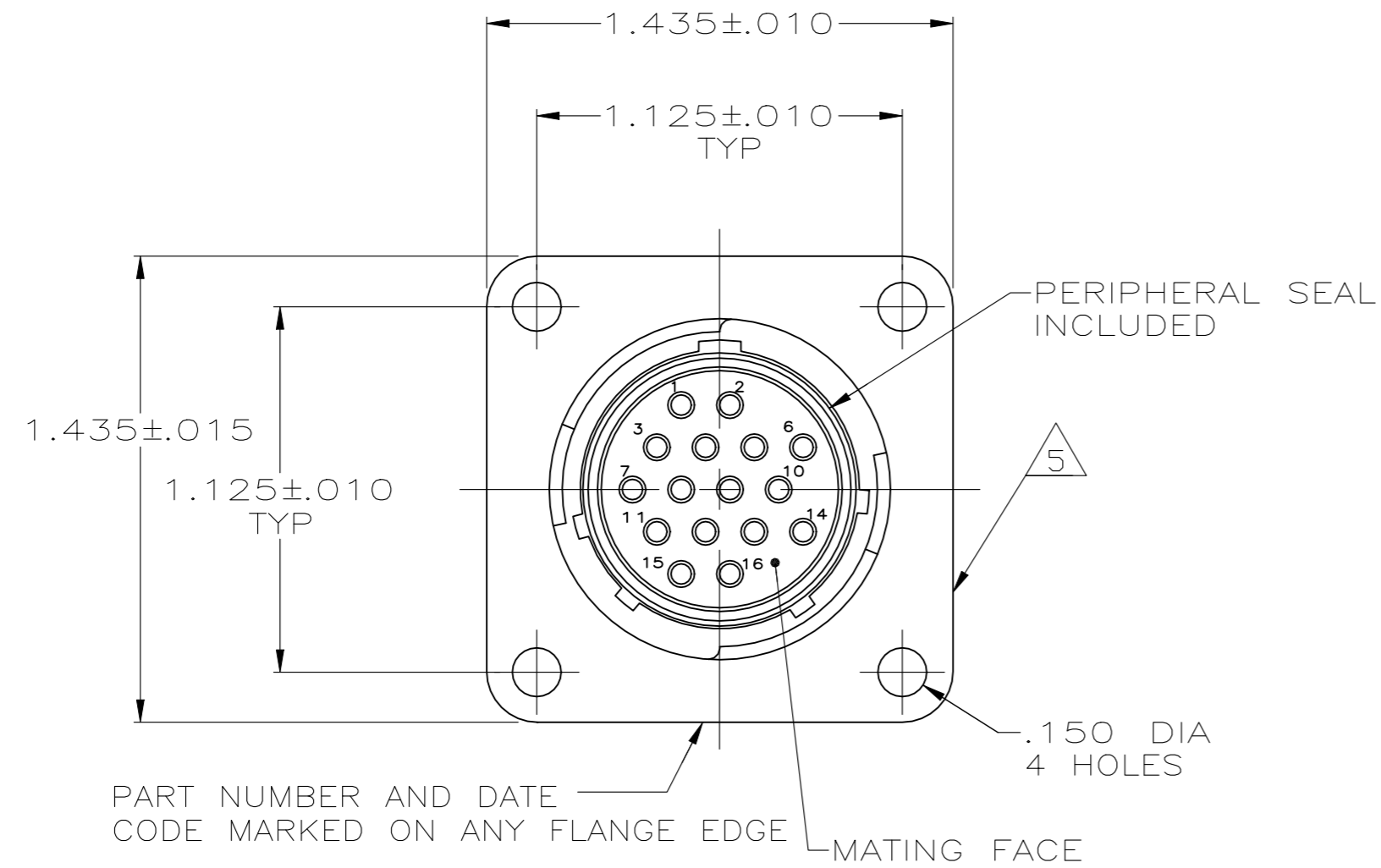


REVISIONS					
P	LTR	DESCRIPTION	DATE	DWN	APVD
K		REVISED PER ECO-21-006948	27OCT2021	RK	MZ



- ① NYLON, UL 94V-0 RATED, BLACK.
- ② BRASS.
- ③ .000100 MIN TIN PER MIL-T-10727 OVER NICKEL FLASH PER QQ-N-290.
- ④ .000030 MIN GOLD PER MIL-G-45204 OVER .000030 MIN NICKEL PER QQ-N-290.

⑤ TE LOGO MARKED ON ANY FLANGE EDGE

OBSOLETE	.175	④	207292-4
	.175	③	207292-3
	.125	④	207292-2
	.125	③	207292-1
A		FINISH	PART NUMBER

THIS DRAWING IS A CONTROLLED DOCUMENT.		DWN J GALLUCCI BG 5-22-91																				
DIMENSIONS: INCHES		CHK R.STONE 3-4-92																				
TOLERANCES UNLESS OTHERWISE SPECIFIED:		APVD -	NAME POSTED RECEPTACLE ASSEMBLY, STD SEX, SERIES 1, 17-16, CPC																			
<table border="1"> <tr><td>0 PLC</td><td>±</td><td>-</td></tr> <tr><td>1 PLC</td><td>±</td><td>-</td></tr> <tr><td>2 PLC</td><td>±</td><td>-</td></tr> <tr><td>3 PLC</td><td>±</td><td>.005</td></tr> <tr><td>4 PLC</td><td>±</td><td>-</td></tr> <tr><td>ANGLES</td><td>±</td><td>-</td></tr> </table>		0 PLC	±	-	1 PLC	±	-	2 PLC	±	-	3 PLC	±	.005	4 PLC	±	-	ANGLES	±	-	PRODUCT SPEC -	RESTRICTED TO -	
0 PLC	±	-																				
1 PLC	±	-																				
2 PLC	±	-																				
3 PLC	±	.005																				
4 PLC	±	-																				
ANGLES	±	-																				
MATERIAL RECEPT HOUSING: ① PIN CONTACT: ②		APPLICATION SPEC -	WEIGHT -	SIZE A2																		
FINISH PIN CONTACT: SEE TABLE		SCALE 2:1	CAGE CODE 00779	DRAWING NO C=207292																		
CUSTOMER DRAWING		SHEET 1 of 1	REV K																			