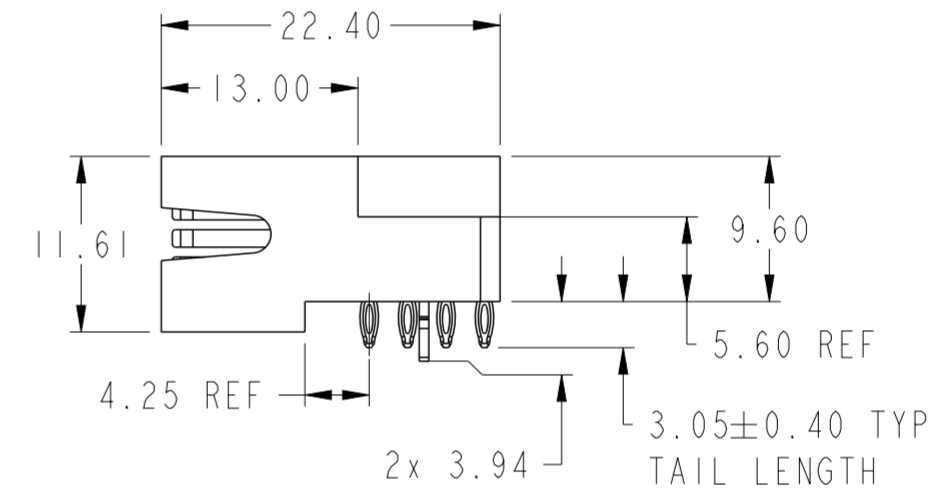
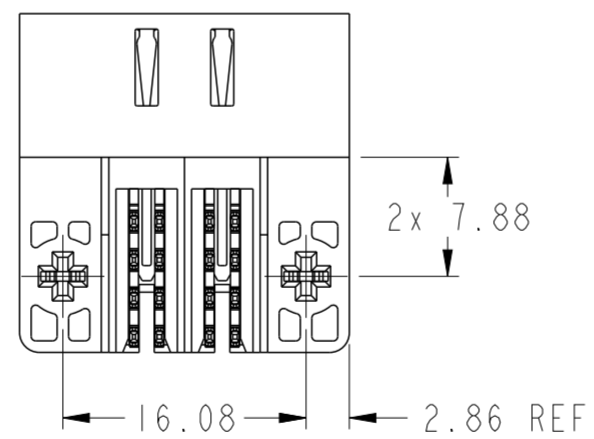
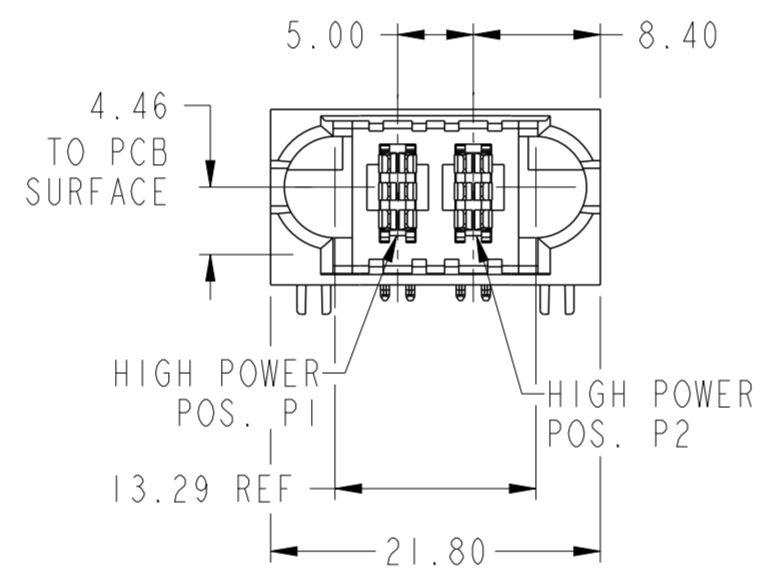
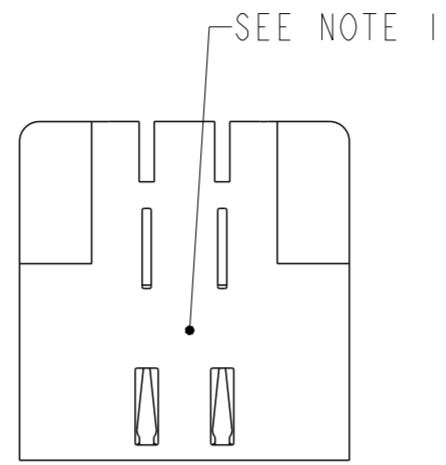


PRODUCT NUMBER
10127396-00H1000LF



spec ref	-	dr	Daniel Xiao	2014/11/14	projection	mm	size	A2	scale	2:1		
tolerance std	ASME Y14.5	eng	Kaka Zhang	2016/06/16			ecn no	-	rel level		Released	
TOLERANCES UNLESS OTHERWISE SPECIFIED		chr	Fancy Zhang	2016/06/16			product family	PwrBlade ULTRA			rel level	Released
surface	ASME Y14.5	appr	Pei-Ming Zheng	2016/06/16			2HP, PRESS-FIT R/A PLUG, PwrBlade ULTRA		cat. no.	-	Product - Customer Drw	sheet 1 of 3
		linear	0.X	±0.5	Amphenol FCI		title	2HP, PRESS-FIT		rev	A	
			0.XX	±0.25			cat. no.	-		Product - Customer Drw	sheet 1 of 3	
		angular	0°	±2°			cat. no.	-		Product - Customer Drw	sheet 1 of 3	

Amphenol
FCi

© 2016 AFci

PRODUCT NO.

ROWS

HIGH POWER

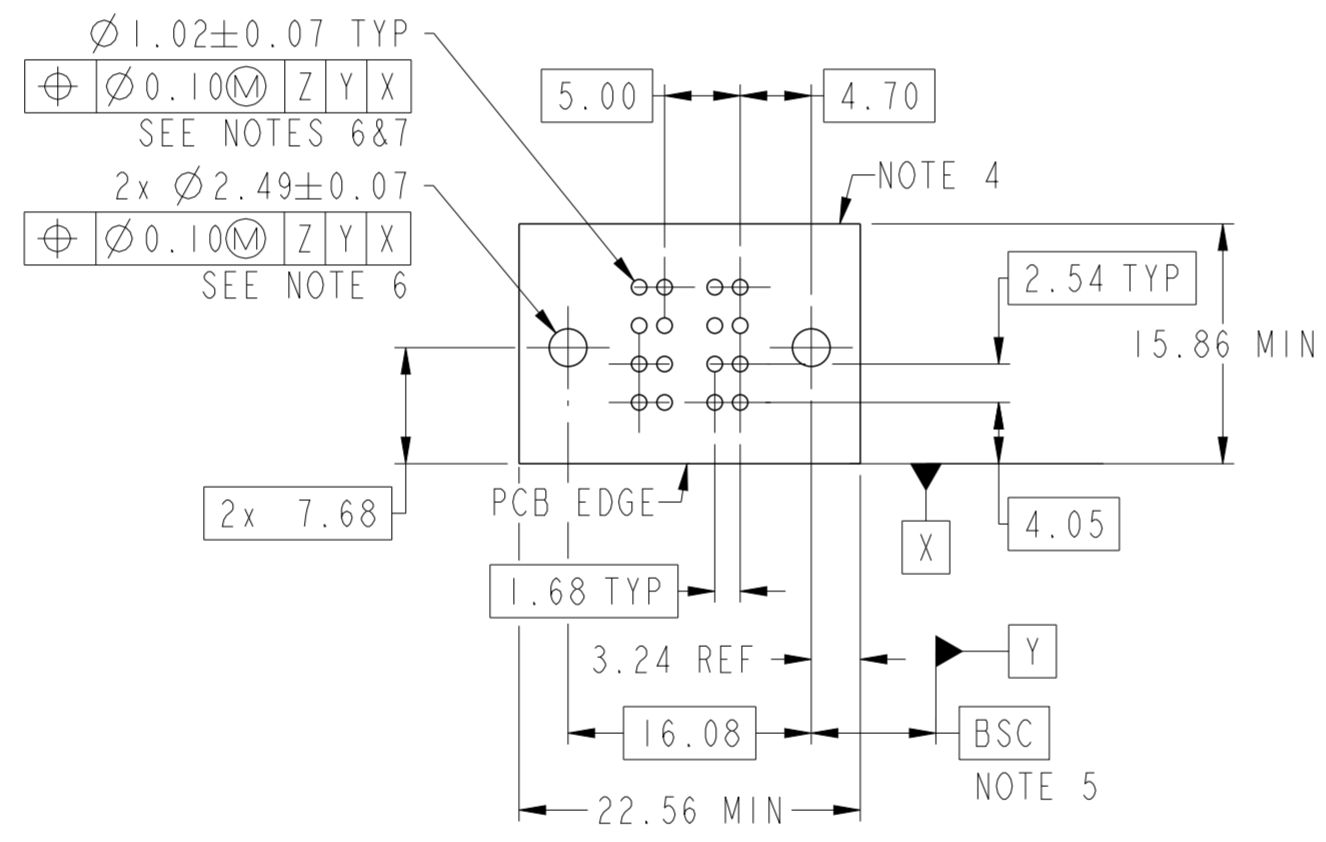
E1 P1 P2 E2

10127396-00H1000LF

C
B
A



CODE	DESCRIPTION
LF	LEFT POWER CONTACT
RF	RIGHT POWER CONTACT
HA	HOLD DOWN



Amphenol
FCi

spec ref	-	dr	Daniel Xiao	2014/11/14	projection	mm	size	A2	scale	2:1
tolerance std	ASME Y14.5	eng	Kaka Zhang	2016/06/16			ecn no	-	rel level	Released
TOLERANCES UNLESS OTHERWISE SPECIFIED		chr	Fancy Zhang	2016/06/16						
		appr	Pei-Ming Zheng	2016/06/16						
surface	ASME Y14.5	linear	0.X	±0.5	Amphenol FCI		title	2HP, PRESS-FIT		rev A
			0.XX	±0.25	R/A PLUG, PwrBlade ULTRA		cat. no.	-	Product - Customer Drw	
		angular	0°	±2°			diag no	10127396-00H1000		

PDS: Rev :A

STATUS:Released

Printed: Jun 16, 2016

PRODUCT NUMBER

10127396-00H1000LF

NOTES:

- ①. "FCI", PART NUMBER AND DATE CODE TO BE MARKED ON THIS SURFACE. THE P/N CAN BE OMITTED IF THERE IS NOT ENOUGH SPACE ON THIS SURFACE.
- 2. MATERIALS:
HOUSING: GLASS FILLED WITH HIGH TEMP POLYAMIDE, UL94V-0.
POWER CONTACTS: COPPER ALLOY.
SIGNAL CONTACTS: COPPER ALLOY.
HOLD DOWN: COPPER ALLOY.
- 3. PLATING SPECIFICATION: FCI 10135186.
- ④. DENOTES CONNECTOR KEEP OUT ZONE.
- ⑤. DATUM AND BASIC DIMENSION ARE ESTABLISHED BY CUSTOMER.
- ⑥. ALL HOLE DIAMETERS ARE FINISHED HOLE SIZES.
- ⑦. 1.150±0.025mm DRILLED HOLE PLATED WITH 7.62µm MIN Sn OVER 25.4µm-76.2µm Cu PLATING TO ACHIEVE A 1.02±0.07mm FINISHED HOLE.
- 8. PRODUCT SPECIFICATION: FCI GS-12-1176.
APPLICATION SPECIFICATION: FCI GS-20-0389.
PRODUCT PACKAGE SPECIFICATION: FCI GS-14-2354.

Amphenol FCI

© 2016 AFCI

spec ref	-	dr	Daniel Xiao	2014/11/14	projection	mm	size	A2	scale	2:1									
tolerance std	-	eng	Kaka Zhang	2016/06/16			ecn no	-	rel level	Released									
ASME Y14.5	TOLERANCES UNLESS OTHERWISE SPECIFIED	chr	Fancy Zhang	2016/06/16															
		appr	Pei-Ming Zheng	2016/06/16															
surface	<table border="1"> <tr> <td rowspan="3"> </td> <td>linear</td> <td>0.X</td> <td>±0.5</td> </tr> <tr> <td></td> <td>0.XX</td> <td>±0.25</td> </tr> <tr> <td></td> <td>0.XXX</td> <td>±0.130</td> </tr> <tr> <td>ASME Y14.5</td> <td>angular</td> <td>0°</td> <td>±2°</td> </tr> </table>		linear	0.X	±0.5		0.XX	±0.25		0.XXX	±0.130	ASME Y14.5	angular	0°	±2°		2HP, PRESS-FIT R/A PLUG, PwrBlade ULTRA	<div style="display: flex; align-items: center;"> <div style="writing-mode: vertical-rl; transform: rotate(180deg);"> title </div> <div style="margin-left: 5px;"> 10127396-00H1000 </div> </div>	<div style="display: flex; align-items: center;"> <div style="writing-mode: vertical-rl; transform: rotate(180deg);"> rev </div> <div style="margin-left: 5px;"> A </div> </div>
	linear		0.X	±0.5															
			0.XX	±0.25															
		0.XXX	±0.130																
ASME Y14.5	angular	0°	±2°																
		cat. no.	-		Product - Customer Drw		sheet 3 of 3												