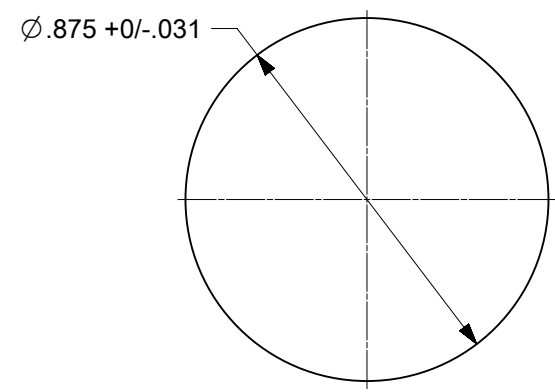
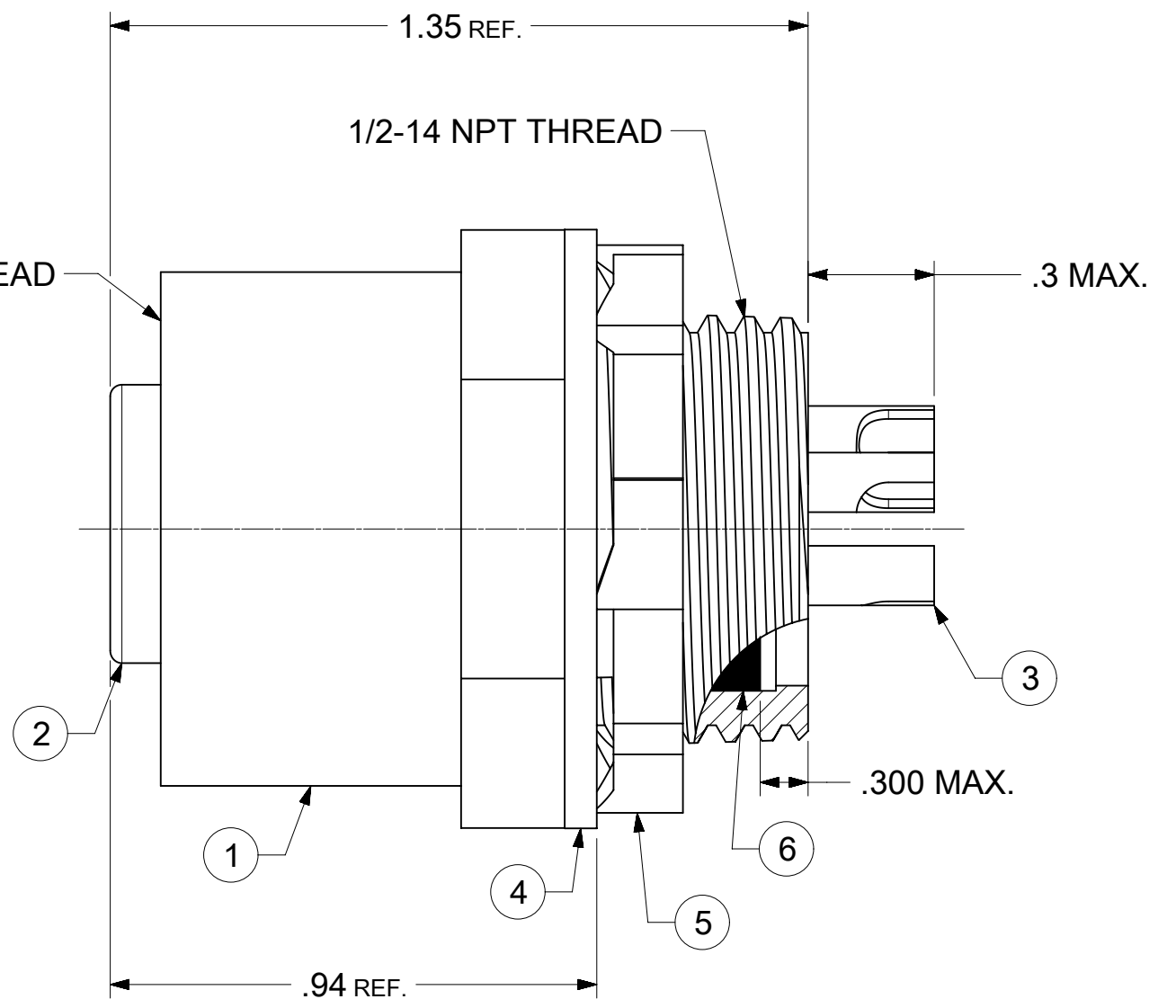


7/8-16 UN-2B INT. THREAD



RECOMMENDED PANEL CUT

6	POTTING MATERIAL	-	-
5	LOCKNUT	STEEL	ZINC PLATED
4	GASKET	NEOPRENE	BLACK
3	SOCKET CONTACT	COPPER ALLOY	GOLD PLATED
2	FEM INSULATOR	PVC	GRAY
1	RECEPTACLE SHELL	ALUMINUM	BLACK ANODIZE
ITEM	DESCRIPTION	MATERIAL	FINISH

THIS DRAWING CONTAINS INFORMATION THAT IS PROPRIETARY TO MOLEX ELECTRONIC TECHNOLOGIES, LLC AND SHOULD NOT BE USED WITHOUT WRITTEN PERMISSION									
SYMBOLS		DIMENSION UNITS		SCALE		CURRENT REV DESC:			
= 0		INCH		3:1		EC NO: 174310			
= 0		GENERAL TOLERANCES (UNLESS SPECIFIED)				DRWN: MZIELINSKI 2018/03/28			
= 0		MM		INCH		CHK'D: RSTONE 2018/04/09			
= 0		4 PLACES ±		±		APPR: BWOODMAN 2018/04/16			
= 0		3 PLACES ±		±		INITIAL REVISION:			
= 0		2 PLACES ±		±		DRWN: GCFLORES 2000/11/28			
= 0		1 PLACE ±		±		APPR: FVANWYK 2000/11/28			
= 0		0 PLACES ±		±		DOCUMENT NUMBER			
= 0		ANGULAR TOL ± °		°		SD-84854-9100		PSD 099 B1	
= 0		DRAFT WHERE APPLICABLE MUST REMAIN WITHIN DIMENSIONS		THIRD ANGLE PROJECTION		DRAWING		SERIES	
= 0		B-SIZE		84854		MATERIAL NUMBER		CUSTOMER	
= 0		1 OF 1		GENERAL MARKET		848549100		1 OF 1	