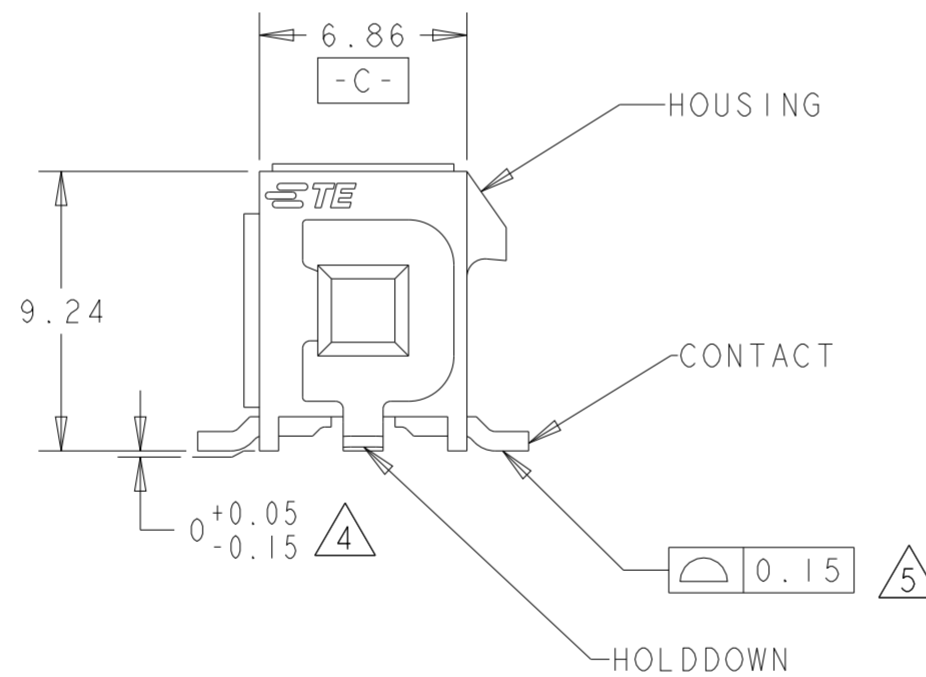
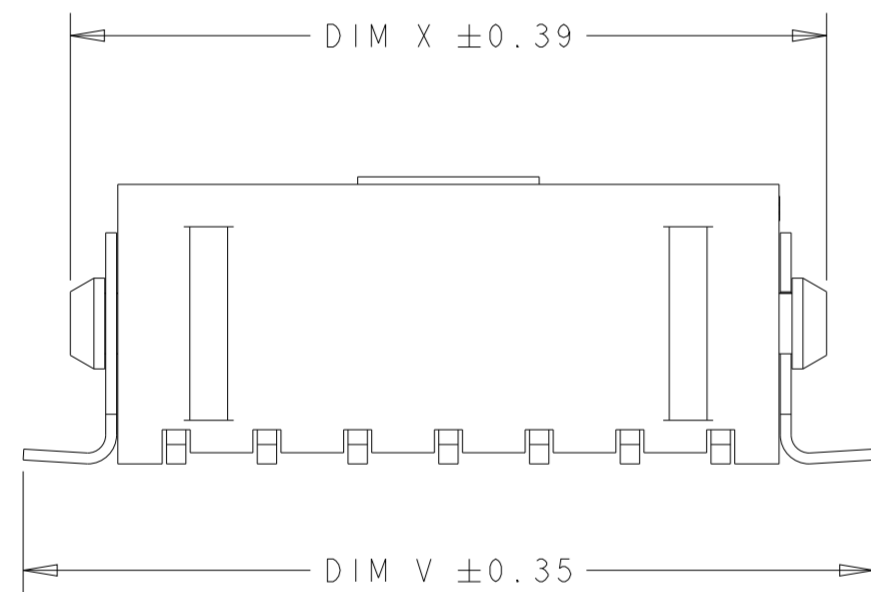
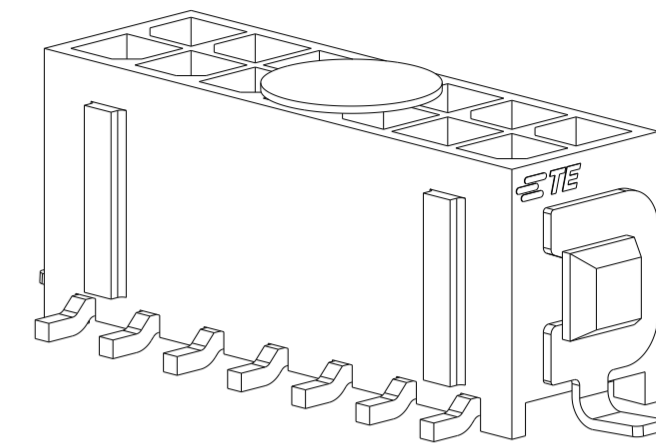
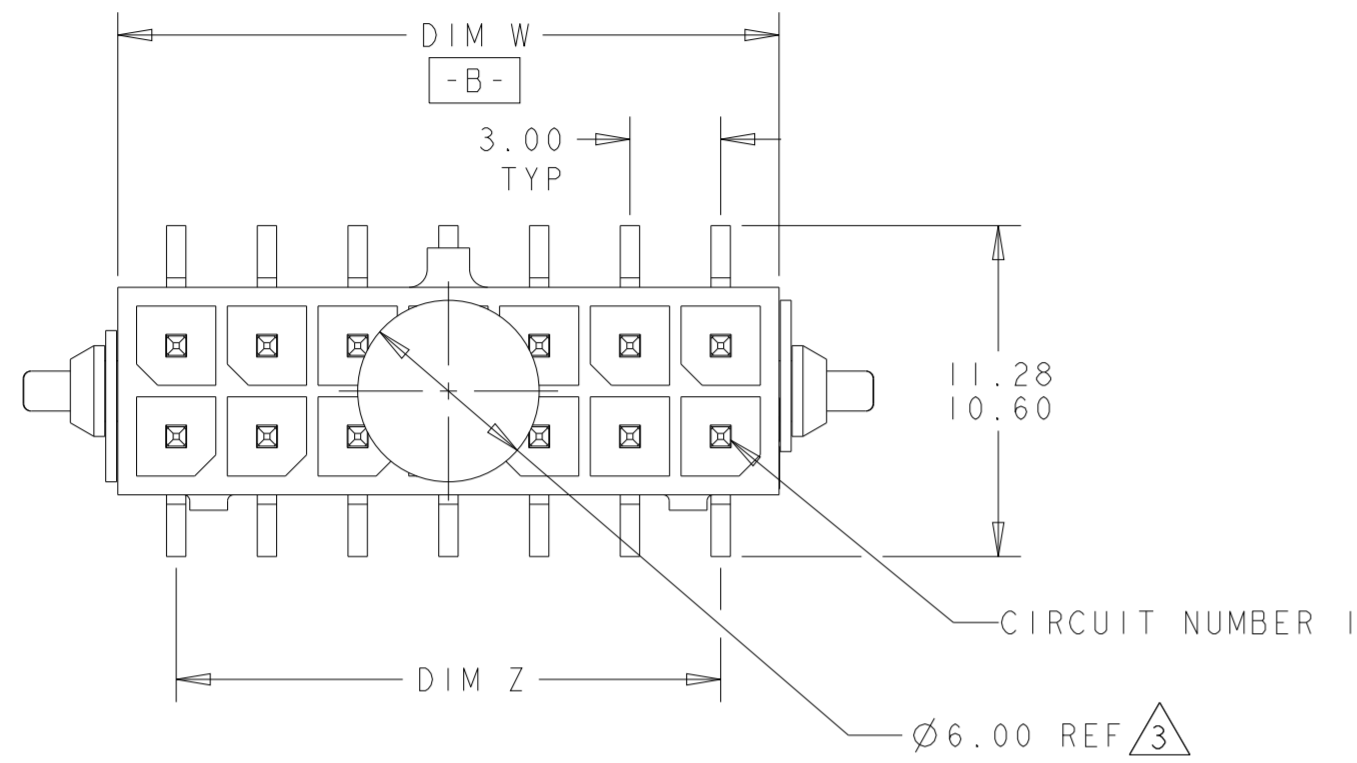


THIS DRAWING IS UNPUBLISHED. RELEASED FOR PUBLICATION 20
 © COPYRIGHT 20 BY - ALL RIGHTS RESERVED.

REVISIONS					
P	LTR	DESCRIPTION	DATE	DWN	APVD
J2		REVISED PER ECR-17-017609	04DEC2017	JB	DZ
J3		ECO-19-006502	30APR2019	AP	WS
J4		REVISED PER ECN-23-206968	11APR2023	WLS	VS



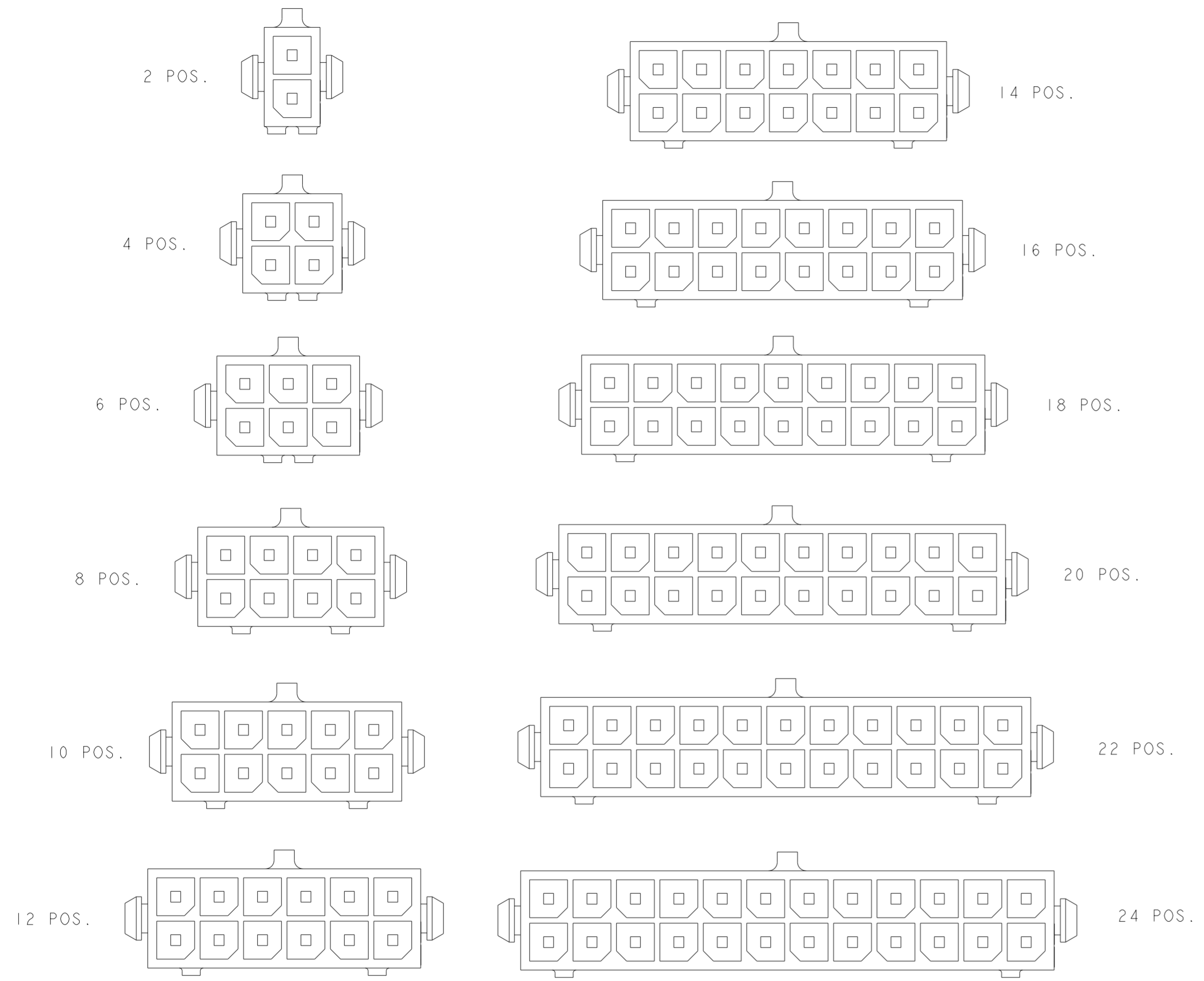
- 1 MATERIAL:
HOUSING - UL 94V-0 RATED HIGH TEMP NYLON, COLOR BLACK.
CONTACTS - BRASS.
HOLDDOWNS - PHOSPHOR BRONZE.
- 2 RECOMMENDED PC BOARD THICKNESS OF 1.57.
- 3 KAPTON VACUUM PICK UP BUTTON.
- 4 DIMENSION APPLIES TO SOLDERTAIL SURFACES AND STANDOFF SURFACES.
- 5 ALL SOLDERTAILS AND HOLDDOWNS.
- 6 PLATING;
CONTACTS - 0.38µm MINIMUM GOLD ON MATING AREA.
2.54µm MINIMUM MATTE TIN ON SOLDER TAILS.
ALL OVER 1.27µm MINIMUM NICKEL.
HOLDDOWNS - 2.54µm MINIMUM MATTE TIN OVER 1.27µm MINIMUM NICKEL.
- 7 COUNTERPART RECOMMENDED IS PN 794617 (DASH ACC. TO NUMBER OF POSITION).
- 8 FOR REELING DIRECTION AND PACKAGING TYPE, SEE SPECIFICATION 114-13000.

43.04	36.86	40.27	33.00	40.00	24	5-794637-4
40.04	33.86	37.27	30.00	37.00	22	5-794637-2
37.04	30.86	34.27	27.00	34.00	20	5-794637-0
34.04	27.86	31.27	24.00	31.00	18	4-794637-8
31.04	24.86	28.27	21.00	28.00	16	4-794637-6
28.04	21.86	25.27	18.00	25.00	14	4-794637-4
25.04	18.86	22.27	15.00	22.00	12	4-794637-2
22.04	15.86	19.27	12.00	19.00	10	4-794637-0
19.04	12.86	16.27	9.00	16.00	8	3-794637-8
16.04	9.86	13.27	6.00	13.00	6	3-794637-6
13.04	6.86	10.27	3.00	10.00	4	3-794637-4
10.04	3.86	7.27	-	7.00	2	3-794637-2
DIM V	DIM W	DIM Y	DIM Z	DIM X	NO. OF POSN.	PART NUMBER

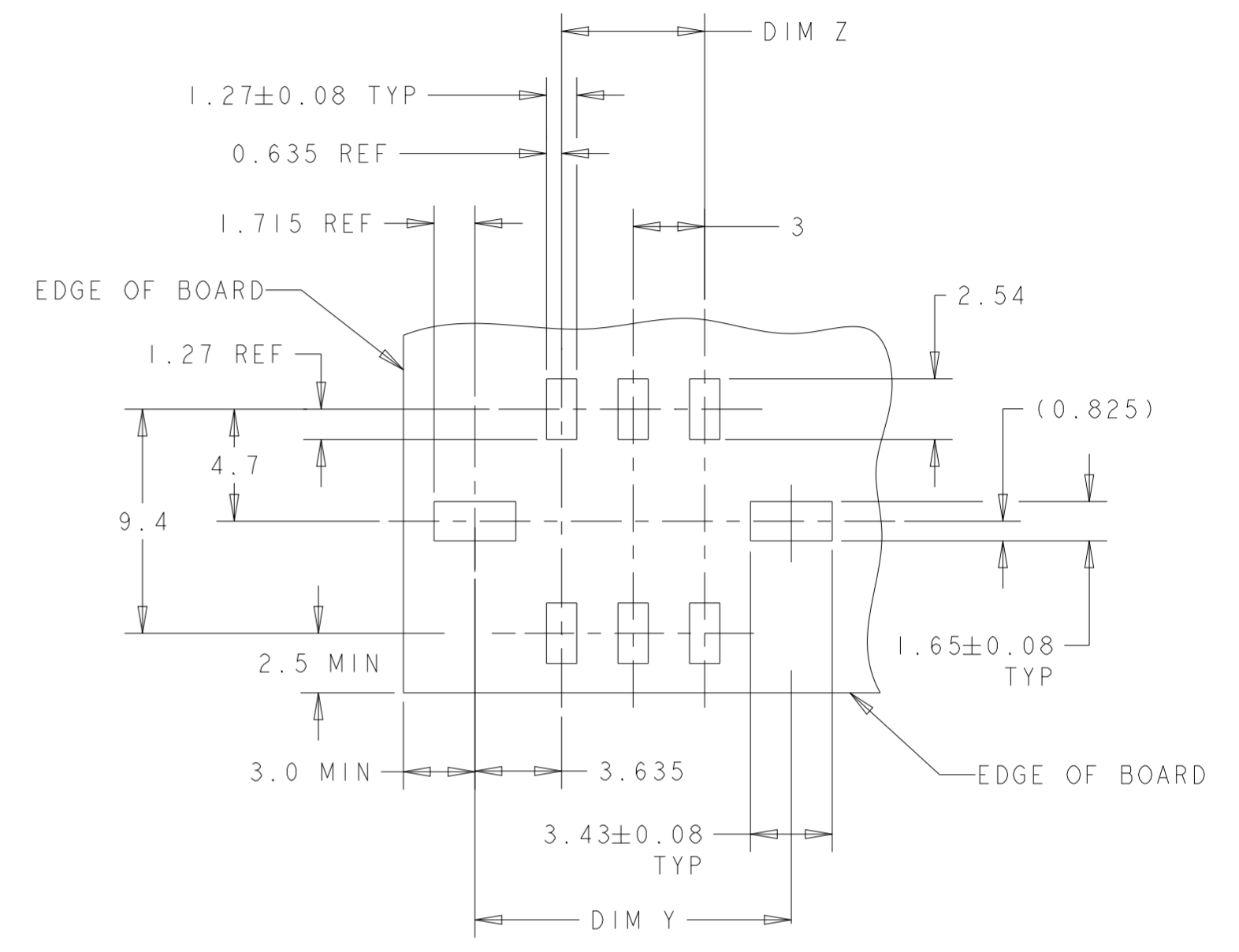
THIS DRAWING IS A CONTROLLED DOCUMENT.		DWN K. WHITAKER 19-MAR-2003	TE Connectivity		
DIMENSIONS: mm		CHK C. JONES 19-MAR-2003			
TOLERANCES UNLESS OTHERWISE SPECIFIED:		APVD C. JONES 19-MAR-2003	NAME SURFACE MOUNT, VERTICAL, MECHANICAL HOLDDOWN, ASSEMBLY, 15 GOLD HEADER DUAL ROW, MICRO MATE-N-LOK™		
0 PLC ± 1 PLC ± 2 PLC ±0.13 3 PLC ± 4 PLC ± ANGLES ±1° FINISH		PRODUCT SPEC 108-1836	SIZE 114-13000	CAGE CODE A20779	DRAWING NO. C-794637
MATERIAL 1	6	WEIGHT -	RESTRICTED TO -	SCALE 4:1 SHEET 1 OF 2 REV J4	
CUSTOMER DRAWING					

THIS DRAWING IS UNPUBLISHED. RELEASED FOR PUBLICATION 20
 © COPYRIGHT 20 BY - ALL RIGHTS RESERVED.

REVISIONS				
P	LTR	DESCRIPTION	DATE	APVD
-	-	SEE SHEET 1	-	-



KEYING BY POSITION SIZE



RECOMMENDED PCB LAYOUT (COMPONENT SIDE)

THIS DRAWING IS A CONTROLLED DOCUMENT.		DWN K. WHITAKER 19-MAR-2003	TE Connectivity	
DIMENSIONS: mm		CHK C. JONES 19-MAR-2003		
TOLERANCES UNLESS OTHERWISE SPECIFIED:		APVD C. JONES 19-MAR-2003	NAME SURFACE MOUNT, VERTICAL, MECHANICAL HOLDDOWN, ASSEMBLY, 15 GOLD HEADER DUAL ROW, MICRO MATE-N-LOK	
0 PLC ± 1 PLC ± 2 PLC ±0.13 3 PLC ± 4 PLC ±		PRODUCT SPEC 108-1836	SIZE A20779	CAGE CODE C-794637
ANGLES ±° FINISH		APPLICATION SPEC 114-13000	DRAWING NO C-794637	RESTRICTED TO -
MATERIAL -		WEIGHT -	SCALE 4:1 SHEET 2 OF 2 REV J4	
-		CUSTOMER DRAWING		