

Ratings

Voltage: 150 V
 Temperature: -40~70 °C

Conductor

Conductor count: 4
 Gauge: 32 AWG 0.04 mm²
 Material: tinned copper strands
 Strand size: $\varnothing 0.05 \times 19$
 Resistance at 20 °C: 590 Ω /km max

Insulator

Material: HDPE
 Color: yellow, white, black, red
 Diameter: $\varnothing 0.55 \pm 0.10$ mm
 Nominal thickness: 0.15 mm
 Resistance at 20 °C: 100 M Ω /km min

Wrap

Material: cotton paper

Filler

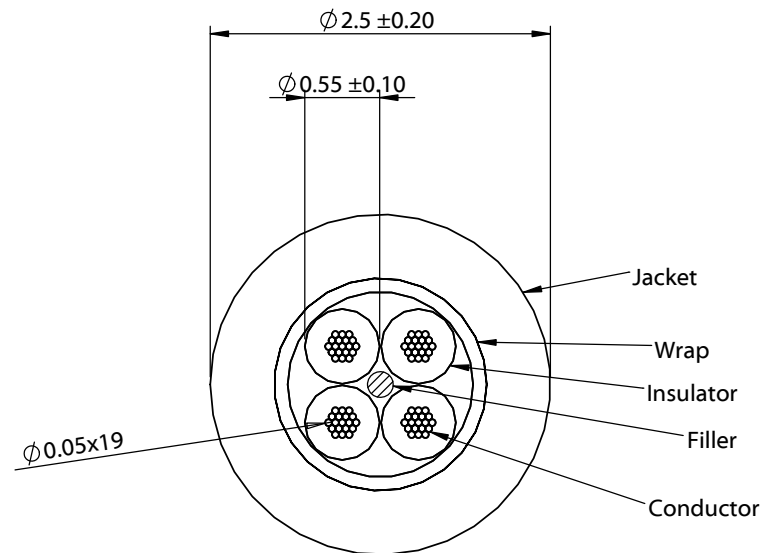
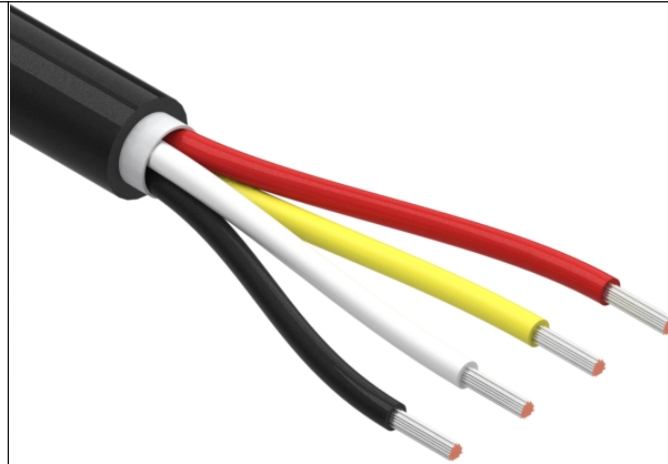
Material: aramid fiber

Outer jacket

Material: TPU
 Color: black
 Diameter: $\varnothing 2.5 \pm 0.20$ mm
 Nominal thickness: 0.50 mm

Tests

Tensile strength: 15 kgf min
 Dielectric test: 1500 V dc for 1 minute without breakdown
 Bend test at 200 g, $\pm 60^\circ$, 30 cycles /min: 15,000 cycle minimum



Revision:	Date:	Description:
A	8/30/2022	Initial release

Prepared: **MP**
Digitally signed by MP
 Date: 2022.12.02
 07:32:46
 +08'00'

Verified: **PB**
Digitally signed by PB
 Date: 2022.12.02
 12:57:25 -08'00'

Dimensions are in millimeters.
 Tolerances:
 X: ± 0.5 mm
 X.X: ± 0.3 mm
 X.XX: ± 0.05 mm

Notes:
 RoHS compliant
 Jacket meets ISO 10993 Biological Compatibility
 Phthalate and halogen free
 Function test: no open, no short, no intermittent

Description:
 Wire, 4C TS, 32 AWG, 150V, 70C, 2.5 mm, TPU, 75A, WBL

TENSILITY
 tel 1.541.323.3228 800 877.670.7118
 fax 1.541.323.4202 web tensility.com

Size:	Part number:
A	30-02653

Scale: 18:1		Sheet 1 of 1
-------------	--	--------------