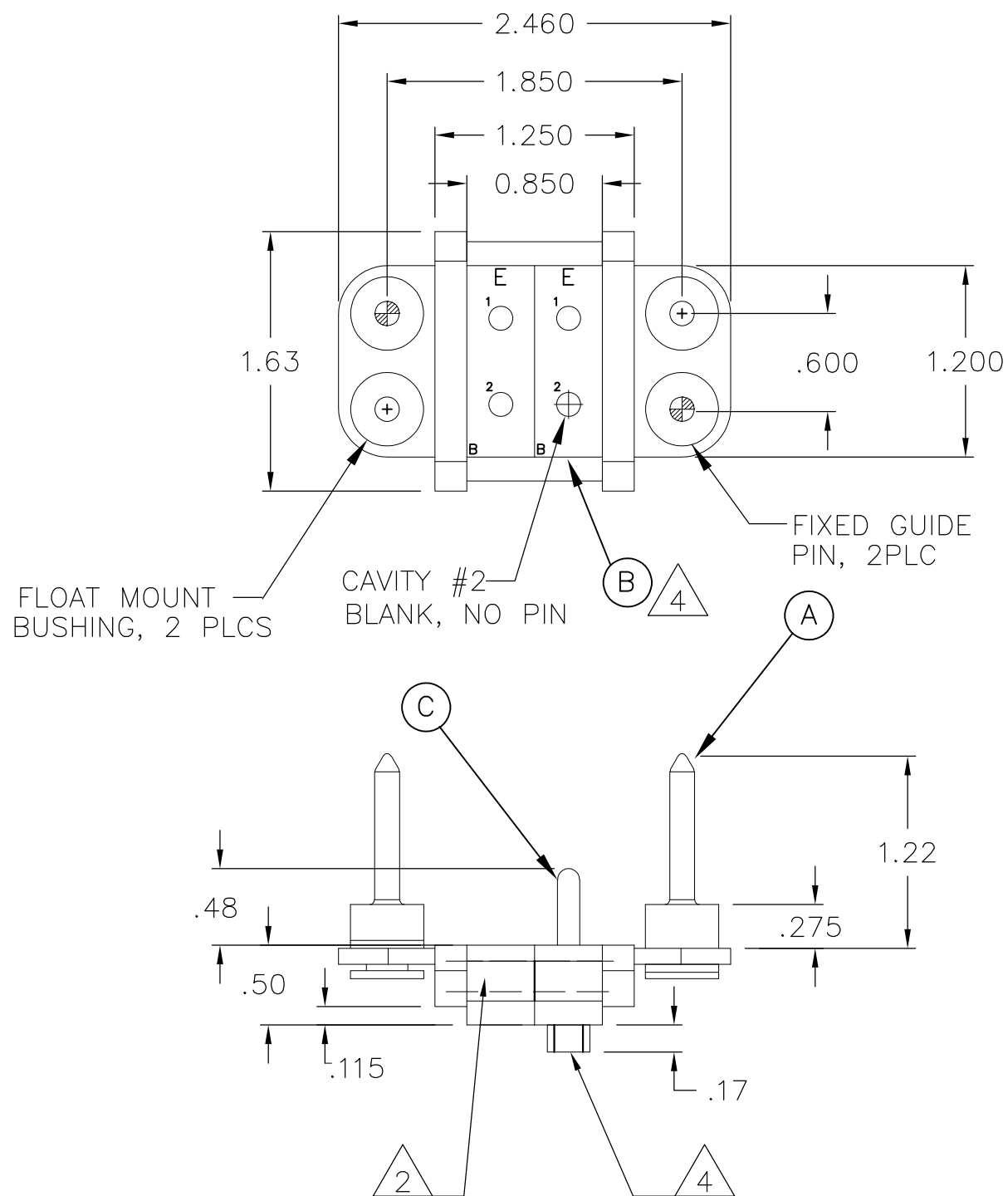


THIS DRAWING IS UNPUBLISHED. RELEASED FOR PUBLICATION
 © COPYRIGHT BY TYCO ELECTRONICS CORPORATION. ALL INTERNATIONAL RIGHTS RESERVED.

LOC GP	DIST 00	REVISIONS			
P	LTR	DESCRIPTION	DATE	DWN	APVD
	A	NEW RELEASE	26MAR07	RG	DO



1. PART NUMBER CHANGES AND/OR DESIGN CHANGES AFFECTING ITEM INTERCHANGEABILITY REQUIRE PRIOR TYCO ELECTRONICS APPROVAL AND AUTHORIZATION BY REVISION TO THIS DRAWING.

2. ITEMS PROVIDED TO THIS SPECIFICATION TO BE PERMANENTLY IDENTIFIED PER THE FOLLOWING IDENTIFIER:

YEAR WEEK
 TYCO ELECTRONICS P/N DATE CODE (e.g. 0212)
 XXXXXXXX-X XXXX

3. MOUNTING FLANGE BUSHINGS ACCEPT 6/32 SCREW (.156 DIA CLEARANCE HOLE, FLOAT MOUNT) OR 8/32 SCREW (.173 DIA CLEARANCE HOLE, FLOAT MOUNT). USER SUPPLIED

4. MODULES NOTED ARE CRIMP STYLE REMOVABLE. CONTACTS ITEM C WILL BE PACKAGED AND SHIPPED LOOSE WITH THE CONNECTOR ASSEMBLY. THE REMAINING PIN CONTACTS REQUIRED TO COMPLETE THE ASSEMBLY WILL BE PURCHASED SEPARATELY.

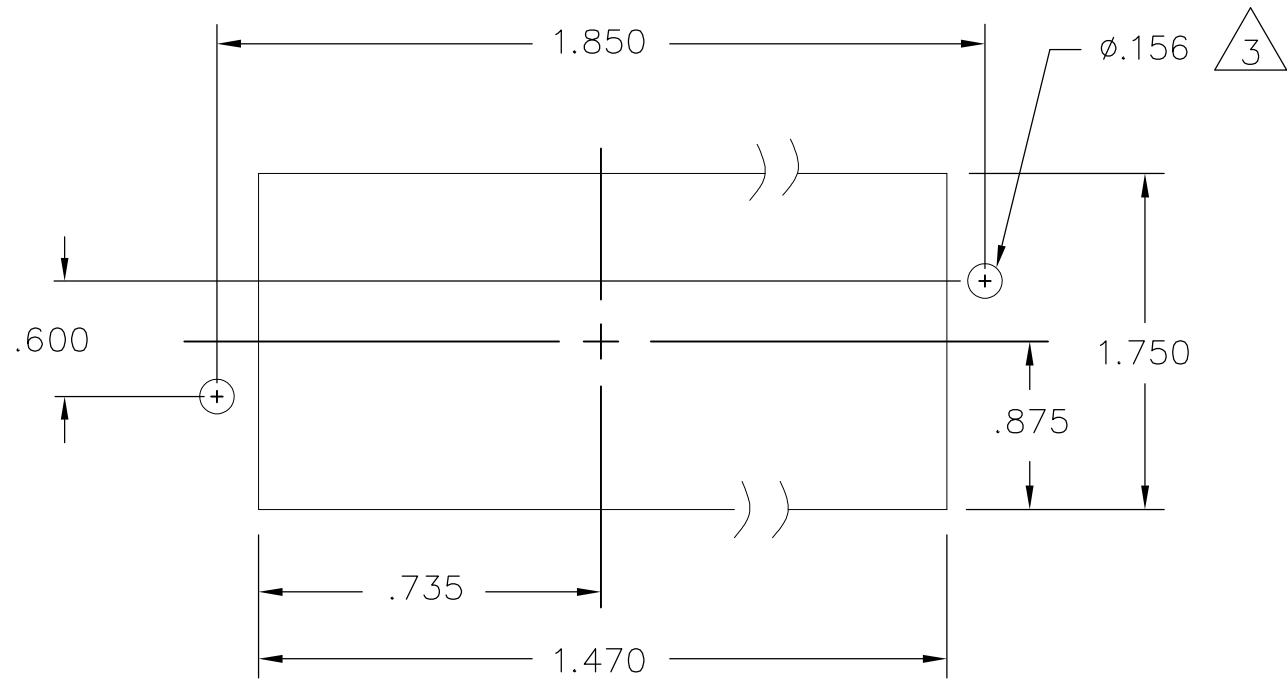
REF. PIN CONTACT, SIZE 8, PREM (.48 PIN EXT) PN: 1650165-1

1	1766197-1	CONTACT , SIZE 8	C
2	1648462-1	MODULE B	B
2	6648251-1	END CAP, GUIDE PIN, FLOAT	A
-1	PART NUMBER	DESCRIPTION	ITEM

THIS DRAWING IS A CONTROLLED DOCUMENT.		DWN R.GRZYBOWSKI 26MAR2007	Tyco Electronics Corporation Harrisburg, PA 17105-3608	
DIMENSIONS: INCHES		CHK D.ORRIS 26MAR07	NAME S.FLICKINGER	
TOLERANCES UNLESS OTHERWISE SPECIFIED:		APVD S.FLICKINGER 26MAR07	PRODUCT SPEC -	
0 PLC ± -		APPLICATION SPEC -		
1 PLC ± -		SIZE A3		
2 PLC ± .02		CAGE CODE 00779		
3 PLC ± .010		DRAWING NO G-6646039		
4 PLC ± -		RESTRICTED TO -		
ANGLES ± 5		SCALE 1:1		
MATERIAL -		FINISH -		
-		WEIGHT -		
-		CUSTOMER DRAWING		
-		SHEET 1 OF 2		
-		REV A		

THIS DRAWING IS UNPUBLISHED. RELEASED FOR PUBLICATION
 © COPYRIGHT - BY TYCO ELECTRONICS CORPORATION. ALL INTERNATIONAL RIGHTS RESERVED.

LOC	DIST	REVISIONS					
GP	00	P	LTR	DESCRIPTION	DATE	DWN	APVD
		-		SEE SHEET 1	-	-	-



PIN PANEL MOUNT CUTOUT
 SCALE: NONE

THIS DRAWING IS A CONTROLLED DOCUMENT.		DWN	R.GRZYBOWSKI	26MAR2007	Tyco Electronics Corporation Harrisburg, PA 17105-3608					
DIMENSIONS: INCHES		CHK	D.ORRIS	26MAR07	NAME					
TOLERANCES UNLESS OTHERWISE SPECIFIED:		APVD	S.FLICKINGER	26MAR07	PIN CONNECTOR DOMINO					
0 PLC ± - 1 PLC ± - 2 PLC ± .02 3 PLC ± .010 4 PLC ± - ANGLES ± 5		PRODUCT SPEC	-		SIZE	CAGE CODE	DRAWING NO	RESTRICTED TO		
MATERIAL		FINISH	-		A3	00779	C-6646039	-		
CUSTOMER DRAWING					SCALE	1:1	SHEET	2 OF 2	REV	A