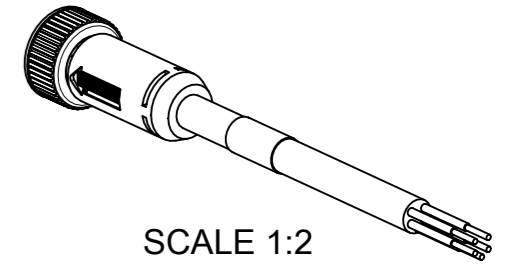
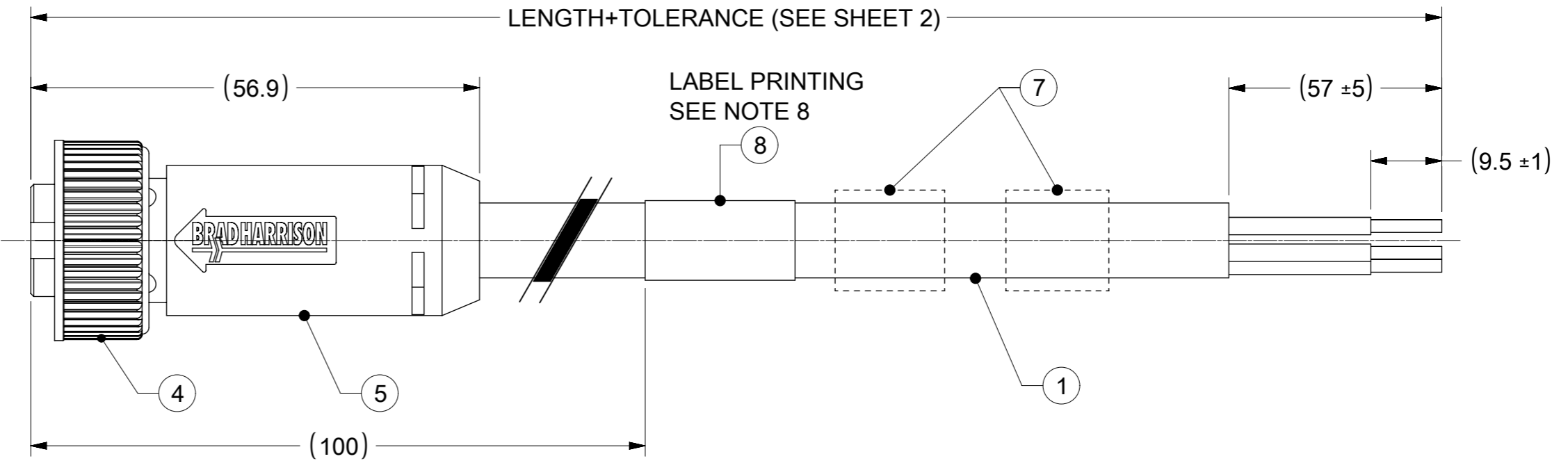
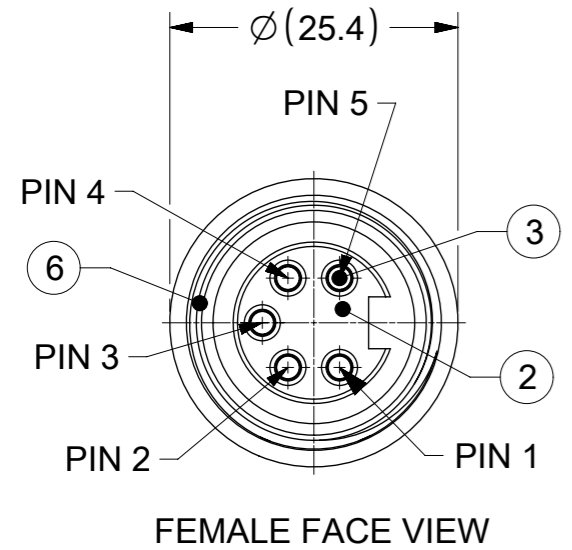


CABLE SPECIFICATION:

JACKET:
 COLOR: GRAY
 MATERIAL: TPU BASED COMPOUND
 DIAMETER: 8.50±0.30mm
 CONDUCTOR:
 INSULATION DIAMETER: 2.40mm
 INSULATION MATERIAL: TPE



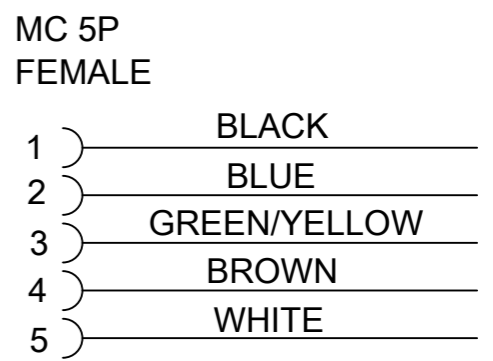
SCALE 1:2



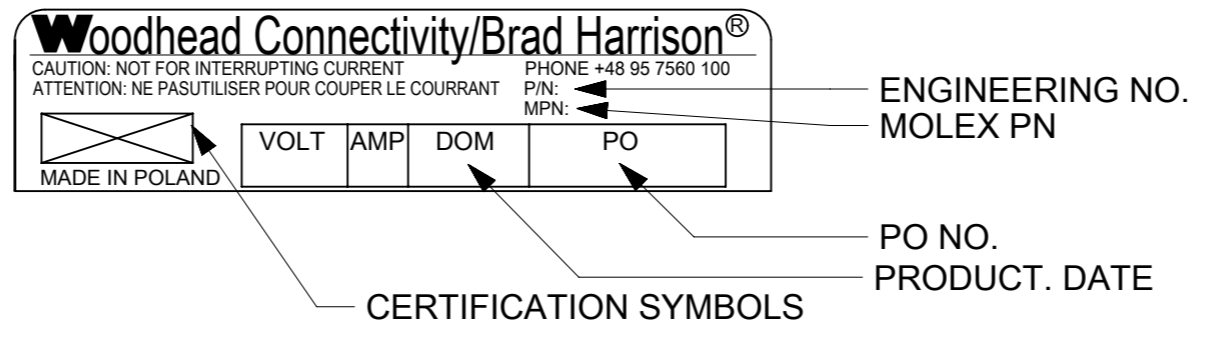
NOTES:

- MATERIAL: AS NOTED
- FINISH: AS NOTED
- ELECTRICAL:
 VOLTAGE: 600 V
 CURRENT: 10 A
- TEMP RATING:
 STATIC: -40 °C TO 90 °C
 DYNAMIC: -25 °C TO 80 °C
- PROTECTION: IP67 (WHEN MATED)
- UL CERTIFICATION: UL LISTED, FILE NO. E152210
- PART LIST AND MATRIX - SEE SHEET 2
- LABEL PRINTING ACC. STANDARD LABEL INSTRUCTION

WIRING DIAGRAM



LABEL PRINTING



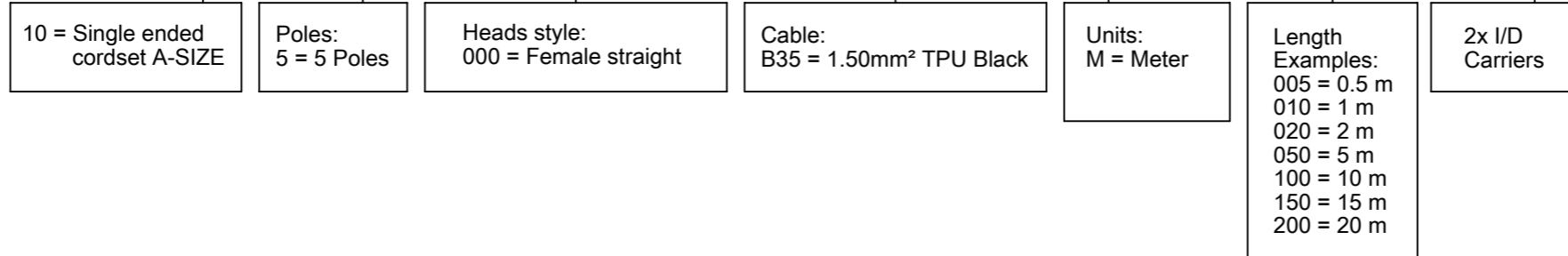
BILL OF MATERIAL

ITEM	DESCRIPTION	MATERIAL	FINISH/COLOR
1	#16-5 CABLE, WELD AND SLAG RESISTANT	TPU	GRAY
2	FEMALE INSERT	TPE	BLACK
3	SOCKET CONTACT	Cu ALLOY	GOLD OVER NICKEL
4	COUPLING NUT	ZINC DIE-CAST	BLACK E-COAT
5	OVERMOLD	TPE	BLACK
6	FRICTION RING	NYLON	WHITE
7	I/D CARRIER	PVC	TRASPARENT
8	WRAP LABEL	VINYL	YELLOW

FUNCTIONAL SYMBOLS $\nabla_A = 0$ $\nabla_E = 0$ $\nabla_V = 0$	THIS DRAWING CONTAINS INFORMATION THAT IS PROPRIETARY TO MOLEX ELECTRONIC TECHNOLOGIES, LLC AND SHOULD NOT BE USED WITHOUT WRITTEN PERMISSION	SCALE: 1:1		CURRENT REV DESC: NOTES UPDATED, LABEL PRINTING ADDED		
	DIMENSION UNITS: mm	GENERAL TOLERANCES (UNLESS SPECIFIED)				
	ANGULAR TOL: ± 1.0°	EC NO: 747270				
	4 PLACES ±	DRWN: RSCHIEBER 2023/04/18				
DIVISIONAL SYMBOLS 3 PLACES ± 2 PLACES ± 0.05 1 PLACE ± 0.3 0 PLACES ± 0.5	DRAFT WHERE APPLICABLE MUST REMAIN WITHIN DIMENSIONS		THIRD ANGLE PROJECTION	DRAWING: A3-SIZE	SERIES: 130006	
	MATERIAL NUMBER: SEE SHEET2		CUSTOMER: GENERAL MARKET	DOCUMENT NUMBER: 1300068203		
	DOC TYPE: PSD		DOC PART: 000	REVISION: A1		
	SHEET NUMBER: 1 OF 2					

PART NUMBER MATIX

1 0 5 0 0 0 B 3 5 M X X X H



PART LIST

MOLEX PN	ENGINEERING NO.	L + Tol. [MM]
1300068203	105000B35M010H	1000 +56
1300068204	105000B35M020H	2000 +89
1300068205	105000B35M050H	5000 +165
1300068206	105000B35M100H	10000 +317
1300068207	105000B35M200H	20000 + 610
1300068208	105000B35M300H	30000 +610
1300068209	105000B35M350H	35000 +700

FUNCTIONAL SYMBOLS	THIS DRAWING CONTAINS INFORMATION THAT IS PROPRIETARY TO MOLEX ELECTRONIC TECHNOLOGIES, LLC AND SHOULD NOT BE USED WITHOUT WRITTEN PERMISSION		
	DIMENSION UNITS	SCALE	CURRENT REV DESC: NOTES UPDATED, LABEL PRINTING ADDED
	mm	1:1	
	GENERAL TOLERANCES (UNLESS SPECIFIED)		
	ANGULAR TOL ± 1.0°		EC NO: 747270 DRWN: RSCHIEBER 2023/04/18 CHK'D: RSILLER 2023/04/27 APPR: RSILLER 2023/04/27
DIVISIONAL SYMBOLS	4 PLACES ±		
	3 PLACES ±		
	2 PLACES ± 0.05		
	1 PLACE ± 0.3		
	0 PLACES ± 0.5		INITIAL REVISION: DRWN: AKABADI 2022/07/26 APPR: RSILLER 2023/01/30
DRAFT WHERE APPLICABLE MUST REMAIN WITHIN DIMENSIONS			
THIRD ANGLE PROJECTION		DRAWING	SERIES
		A3-SIZE	130006
MATERIAL NUMBER		CUSTOMER	SHEET NUMBER
1300068203		GENERAL MARKET	2 OF 2