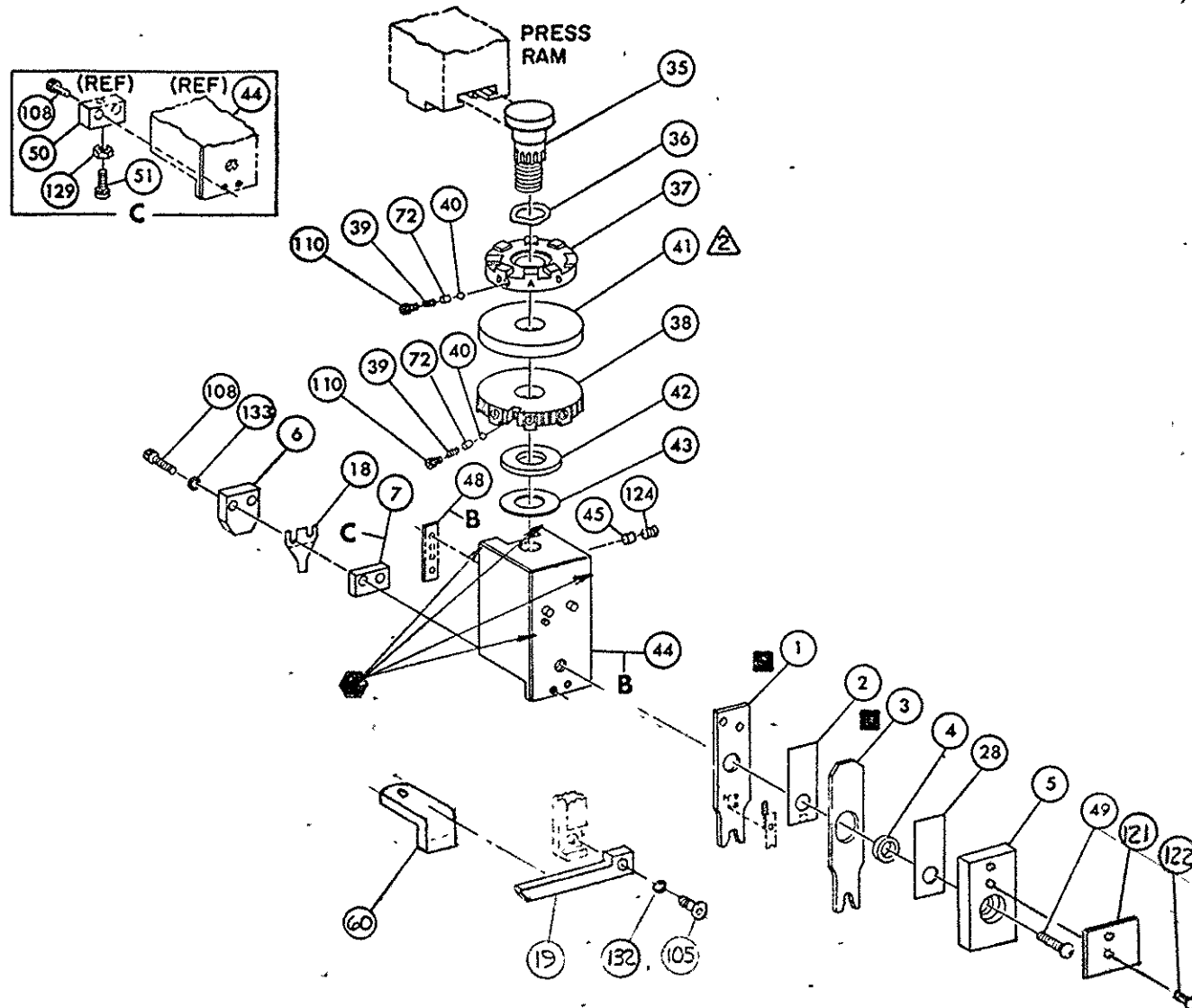
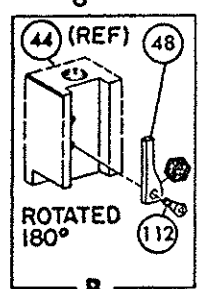


THIS DRAWING IS A CONTROLLED DOCUMENT FOR AMP INC. IT IS SUBJECT TO CHANGE AND THE CONTROLLING ENGINEERING ORGANIZATION SHOULD BE CONTACTED FOR THE LATEST REVISION.

THIS IS A CONTROLLED DOCUMENT.

SPECIAL PRE-FEED 1 5/8" STROKE



NOTES:

1- ONLY THE ITEMS WITH QUANTITIES SPECIFIED ON PARTS LIST ARE USED ON THIS APPLICATOR.

△ USED IN PLACE OF ITEM 38 WHEN INSULATION CRIMP IS NOT USED.

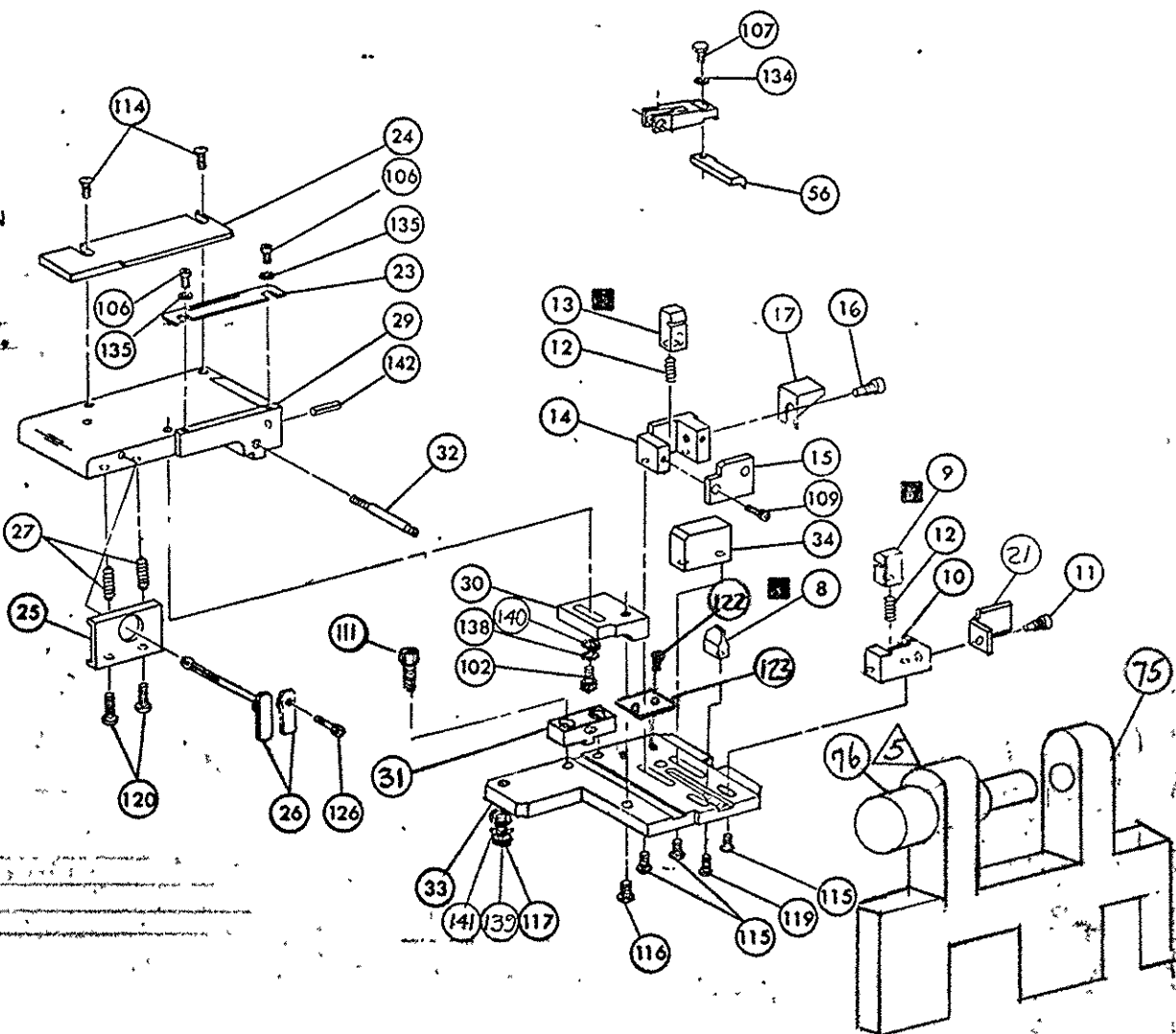
3-FEED PIVOT-HOLE
△ PART NOT ON PRINT.

KEY:

■ RECOMMENDED SPARE PARTS

● GREASE WEEKLY

△ REPLACE LEFT STRIPPER AIR CYL. PIN 462639-1 FOR GREATER SIZE IF USED ON S.C. PIN 463345-1 OR -2.



QTY	PART NO	DESCRIPTION	ITEM NO
1	4-21028-0	PIN, SLOT SPR (.093 DIA X .75) STR G PLATE	142
1	21899-2	WASHER, FLAT (NO 10) MOUNTING	141
1	21899-2	WASHER, FLAT (NO 10) S. G. ADJ BLOCK	140
1	21024-5	WASHER, LOCK (NO 10) MOUNTING	139
1	21024-5	WASHER, LOCK (NO 10) STRIP GUIDE ADJ BLOCK	138
1	811242-2	BUMPER, HOLDDOWN	137
1	690753-1	SPACER, TONKER	136
1	7-21002-9	BOLT, CRIMPER (BUT. HD. 5/16-24 UNF X 1.00)	135
1	690602-6	CAM PRE FEED 1.62 STROKE	134
2	21024-4	WASHER, LOCK (NO 8) DEPRESSOR	133
2	21024-4	WASHER, LOCK (NO 8) STRIPPER	132
1	690191-1	PLUG, NYLON	131
1	455673-1	RAM	130
1	690125-1	WASHER, LAMINATED	129
1	690124-1	WASHER, RAM	128
1	690124-1	DISC, SPACER	127
2	23241-6	BALL, STEEL	126
2	690170-1	SPRING, COMPRESSION	125
1	690142-1	DISC, INSULATION	124
1	6-690692-3	DISC, WIRE	123
1	22480-5	WASHER, SPRING	122
1	690212-1	POST, RAM	121
1	692776-2	SUPPORT, TERMINAL	120
1	462544-1	PLATE, BASE SPECIAL	119
1	690432-3	SCREW, ADJUSTMENT	118
1	462543-1	BLOCK, SCREW SPECIAL	117
1	455689-1	BLOCK, STRIP GUIDE ADJ	116
1	455671-9	PLATE, STRIP GUIDE	115
1	1-455888-0	SPACER, FRONT SHEAR DEPRESSOR	114
2	1-22284-0	SPRING, DRAG	113
1	690546-1	LEVER, DRAG RELEASE	112
1	240792-1	DRAG, STOCK	111
1	6-690504-2	GUIDE STRIP (REAR)	110
1	690438-1	GUIDE, STRIP (FRONT)	109
1	463756-1	GUIDE, SCRAP	108
1	462615-1	STRIPPER	107
1	462615-1	HOLDER, TERMINAL	106
1	462615-1	GUARD, CHIP (REAR)	105
1	462615-1	STOP, SHEAR (REAR)	104
1	462615-1	PLATE, SHEAR (REAR)	103
1	462615-1	HOLDER, SHEAR (REAR)	102
1	462615-1	SHEAR, FLOAT (REAR)	101
1	462615-1	SPRING, SHEAR	100
1	462615-1	STOP, SHEAR (FRONT)	99
1	462615-1	HOLDER, SHEAR (FRONT) SPECIAL	98
1	462615-1	SHEAR, FLOAT (FRONT) SPECIAL	97
1	462615-1	ANVIL	96
1	462615-1	SPACER, DEPRESSOR (REAR)	95
1	462615-1	DEPRESSOR, SHEAR (REAR)	94
1	462615-1	DEPRESSOR, SHEAR (FRONT) SPECIAL	93
1	462615-1	SPACER, TUBULAR, INS CRIMPER	92
1	462615-1	CRIMPER, INSULATION	91
1	462615-1	SPACER, CRIMPER	90
1	462615-1	CRIMPER, WIRE	89
1	462615-1	CRIMPER, WIRE	88
1	462615-1	CRIMPER, WIRE	87
1	462615-1	CRIMPER, WIRE	86
1	462615-1	CRIMPER, WIRE	85
1	462615-1	CRIMPER, WIRE	84
1	462615-1	CRIMPER, WIRE	83
1	462615-1	CRIMPER, WIRE	82
1	462615-1	CRIMPER, WIRE	81
1	462615-1	CRIMPER, WIRE	80
1	462615-1	CRIMPER, WIRE	79
1	462615-1	CRIMPER, WIRE	78
1	462615-1	CRIMPER, WIRE	77
1	462615-1	CRIMPER, WIRE	76
1	462615-1	CRIMPER, WIRE	75
1	462615-1	CRIMPER, WIRE	74
1	462615-1	CRIMPER, WIRE	73
1	462615-1	CRIMPER, WIRE	72
1	462615-1	CRIMPER, WIRE	71
1	462615-1	CRIMPER, WIRE	70
1	462615-1	CRIMPER, WIRE	69
1	462615-1	CRIMPER, WIRE	68
1	462615-1	CRIMPER, WIRE	67
1	462615-1	CRIMPER, WIRE	66
1	462615-1	CRIMPER, WIRE	65
1	462615-1	CRIMPER, WIRE	64
1	462615-1	CRIMPER, WIRE	63
1	462615-1	CRIMPER, WIRE	62
1	462615-1	CRIMPER, WIRE	61
1	462615-1	CRIMPER, WIRE	60
1	462615-1	CRIMPER, WIRE	59

QTY	PART NO	DESCRIPTION	ITEM NO
1	3-21000-3	SCR, SOG HD SKT CAP (10-32 X .50) MOUNTING	117
1	2-21002-7	SCR, BUT HD SKT CAP (10-32 X .50) SG ADJ BLOCK	116
2	2-21002-2	SCR, BUT HD SKT CAP (8-32 X .50) SHEAR	115
2	2-21002-2	SCR, BUT HD SKT CAP (8-32 X .50) R STRIP GUIDE	114
1	1-21002-7	SCR, BUT HD SKT CAP (6-32 X .50) CAM	112
2	2-21000-7	SCR, SKT HD CAP (8-32 X .50) SCR. BLOCK	111
2	23030-1	SCR, SKT HD CAP (6-32 X .25) (LOC-WEL) CP DISC	110
2	2-21000-7	SCR, SKT HD CAP (6-32 X .25) REAR SHEAR PLATE	109
2	2-21000-7	SCR, SKT HD CAP (8-32 X .50) DEPRESSOR (REAR)	108
REF	2-21002-1	SCR, BUT HD MACH (8-32 X .38) FEED FINGER	107
2	1-21000-3	SCR, SKT HD CAP (4-40 X .25) F STRIP GUIDE	106
REF	2-21002-1	SCR, BUT HD CAP (8-32 X .38) STRIPPER	105
1	3-22603-1	SCR, HEX HD CAP (10-32 X .38) SG ADJ BLOCK	102
2	463310-3	BLADE, STRIPPING (M16)	77
REF	684520-1	GRIPPER CYLINDER SUB ASSY. 15	76
REF	813209-1	MOUNT STRIPPER	75
2	690603-1	SPRING, ASSIST	72

QTY	PART NO	DESCRIPTION	ITEM NO
1	469484-1	STOP, WIRE	60

REVISION	REVISION RECORD	APP DATE	REV	REVISION RECORD	APP DATE	REV
J2	0150-0937-02	7-02	D	REV R6798	8-26	10-1
J1	0150-7626-97	05-22-97	C2	ECN R6345	11-11-97	188
J	0150-7553-97	05-22-97	C	REV PER ECN R-5138	11-11-97	188
J	0150-7147-96	05-22-97	C	REV PER ECN R-5327	11-11-97	188
J	0150-6428-95	05-22-97	C	REV PER ECN R-5005	11-11-97	188
J	EC A-3630-92	05-22-97	C	REV PER ECN R-2024	11-11-97	188
J	ECN A-045882	05-22-97	C	REV PER ECN R-2024	11-11-97	188

REVISION	REVISION RECORD	APP DATE	REV	REVISION RECORD	APP DATE	REV
J2	0150-0937-02	7-02	D	REV R6798	8-26	10-1
J1	0150-7626-97	05-22-97	C2	ECN R6345	11-11-97	188
J	0150-7553-97	05-22-97	C	REV PER ECN R-5138	11-11-97	188
J	0150-7147-96	05-22-97	C	REV PER ECN R-5327	11-11-97	188
J	0150-6428-95	05-22-97	C	REV PER ECN R-5005	11-11-97	188
J	EC A-3630-92	05-22-97	C	REV PER ECN R-2024	11-11-97	188
J	ECN A-045882	05-22-97	C	REV PER ECN R-2024	11-11-97	188

466923-2