



30mm BlackMax, Epoxy Coated Corrosion Resistant Complete Metal Unit
Illuminated Indicator Light Full Voltage type, 120V AC/DC LED Lamp, BA9s Glass
Lens, White UL Listed, CSA Certified NEMA 1,3,3R,4,4X,12,13 & Automotive
Standards

product brand name	Siemens Pilot Devices
design of the product	Complete Unit, Round
Enclosure	
number of command points	1
delivery state as a kit	No
Actuator	
design of the actuating element	Indicator Light
product extension optional light source	Yes
color of the actuating element	white
material of the actuating element	glass
shape of the actuating element	Concentric rings
Front ring	
product component front ring	Yes
design of the front ring	standard
material of the front ring	metal
color of the front ring	black
Holder	
material of the holder	metal
Contact block/ lampholder	
socket design	BA 9s, with single LED lamp
number of lampholders	1
Display	
number of LED modules	1
General technical data	
product component	
• lamp transformer	No
• light source	Yes
degree of pollution	1
type of voltage	
• of the operating voltage	AC/DC
• of the input voltage	AC/DC
surge voltage resistance rated value	4 kV
protection class IP	
• of the terminal	IP66 IP20
vibration resistance according to IEC 60068-2-6	0 ... 2000 Hz, 1.52 mm displacement (peak-to-peak) max./ 10g max.
mechanical service life (operating cycles) typical	50
Supply voltage	
type of voltage of the supply voltage of the light source	AC/DC
supply voltage of the light source at AC at 60 Hz	
• rated value	120 V

supply voltage of the light source at DC	
• rated value	120 V
Connections/ Terminals	
type of electrical connection	screw-type terminals
• of modules and accessories	screw-type terminals
type of connectable conductor cross-sections for AWG cables for auxiliary contacts	1x (18 ... 12), 2x (18 ... 16), 2x (16 ... 14), 2x 12
tightening torque of the screws in the bracket	20 N·m
tightening torque [lbf·in] with screw-type terminals	8 ... 8 lbf·in
Lamp	
type of light source	Single LED
color of the light source	white
Safety related data	
touch protection against electrical shock	finger safe
Ambient conditions	
ambient temperature	
• during operation	-35 ... +70 °C
• during storage	-40 ... +85 °C
Installation/ mounting/ dimensions	
fastening method	
• of modules and accessories	screw-mounting
shape of the installation opening	round
Certificates/ approvals	
Further information	

Siemens has decided to exit the Russian market (see here).

<https://press.siemens.com/global/en/pressrelease/siemens-wind-down-russian-business>

Siemens is working on the renewal of the current EAC certificates.

Please contact your local Siemens office on the status of validity of the EAC certification if you intend to import or offer to supply these products to an EAC relevant market (other than the sanctioned EAEU member states Russia or Belarus).

Information on the packaging

<https://support.industry.siemens.com/cs/ww/en/view/109813875>

Information- and Downloadcenter (Catalogs, Brochures,...)

<https://www.siemens.com/ic10>

Industry Mall (Online ordering system)

<https://mall.industry.siemens.com/mall/en/en/Catalog/product?mlfb=US2:52BL5EBXB>

Cax online generator

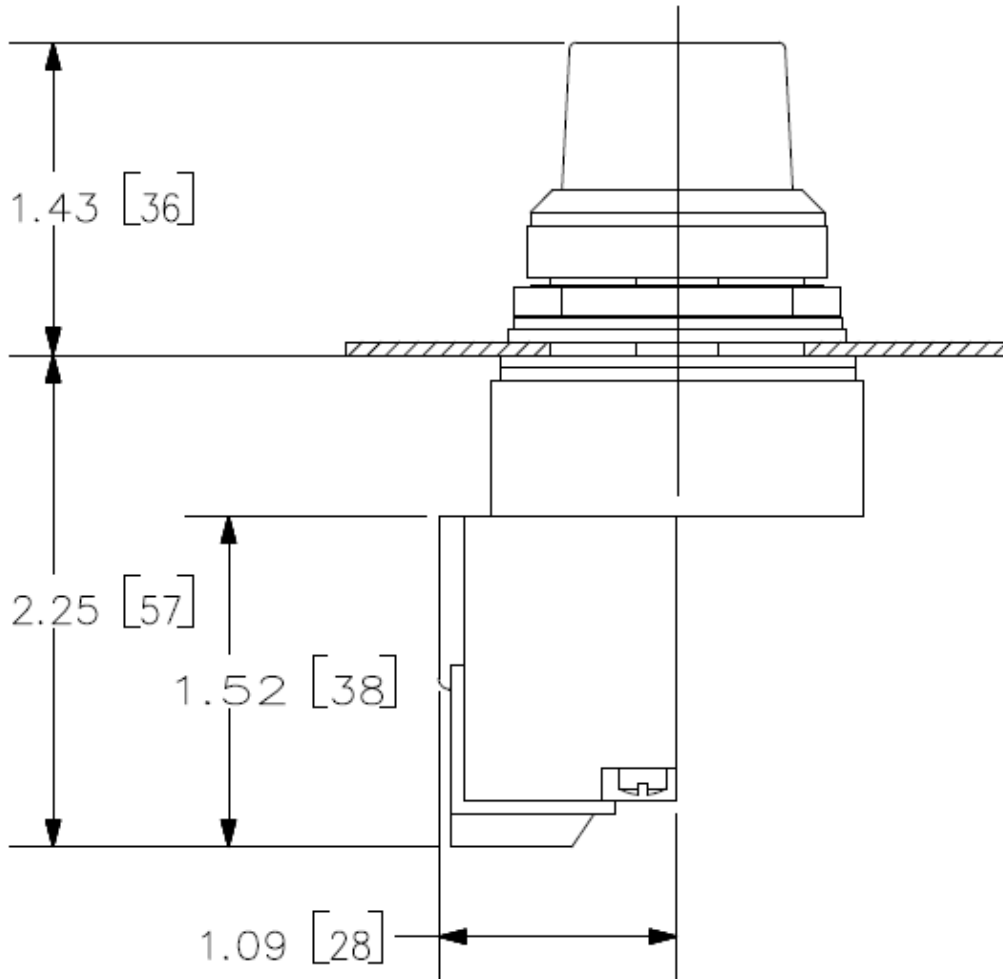
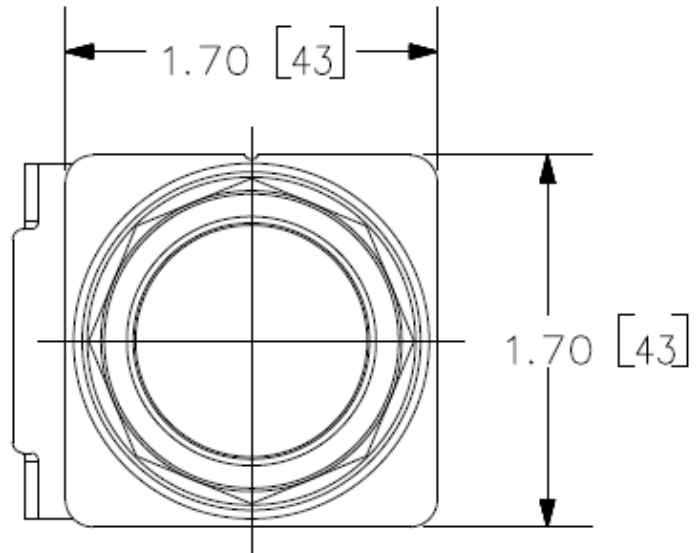
<http://support.automation.siemens.com/WW/CAXorder/default.aspx?lang=en&mlfb=US2:52BL5EBXB>

Service&Support (Manuals, Certificates, Characteristics, FAQs,...)

<https://support.industry.siemens.com/cs/ww/en/ps/US2:52BL5EBXB>

Image database (product images, 2D dimension drawings, 3D models, device circuit diagrams, EPLAN macros, ...)

http://www.automation.siemens.com/bilddb/cax_de.aspx?mlfb=US2:52BL5EBXB&lang=en



last modified:

12/21/2020 