

# RoHS COMPLIANT 561-XX0X-XX0F

Part Numbers with the "F" suffix ending are RoHS Compliant.  
 For example: 561-2201-080F  
 Packaging is marked with "RoHS Compliant" label or equivalent markings.  
 Parts can be wave soldered, dip soldered or hand soldered using typical  
 lead-free soldering process with max 260°C temp. for 5 sec.

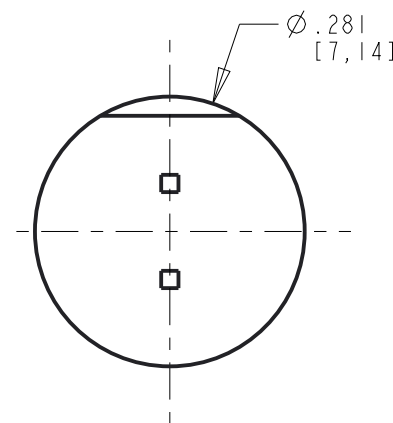
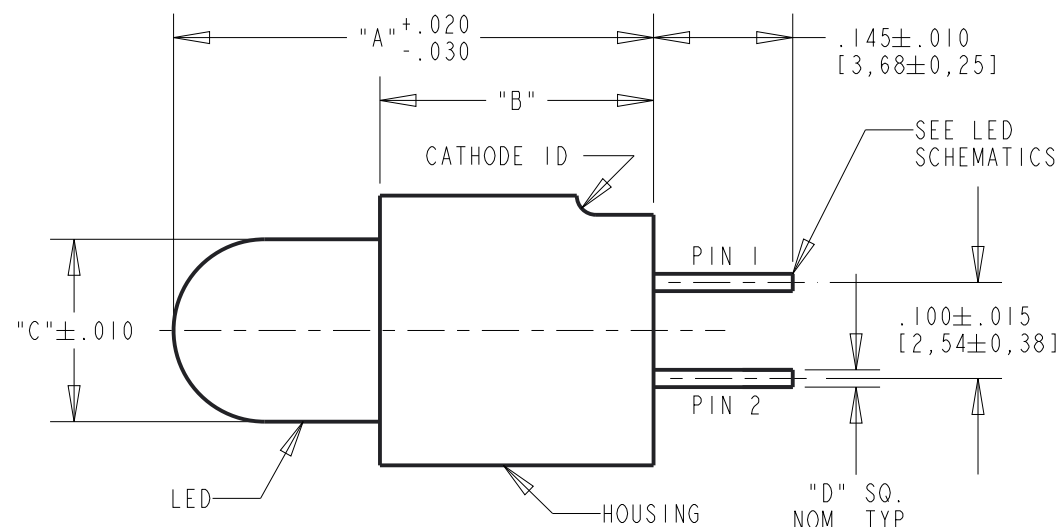


**ATTENTION:**  
**OBSERVE PRECAUTIONS FOR**  
**HANDLING ELECTROSTATIC**  
**SENSITIVE DEVICES**

REV	ECN NO	REVISIONS	DRN	CKD	APP	DATE
A	—	NEW RELEASE	KLJ		NO	4-9-09
B	91288	SPECS UPDATED FOR P/N 561-2301-XXXX, 561-5101-XXXX, 561-5201-XXXX, 5401XXXX, OBSOLETE 561-5301-XXXX	LD		NO	3-24-22

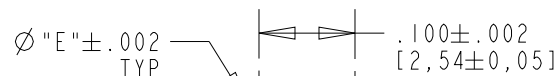
DIALIGHT PART NUMBER	DIM "C"	DIM "D"	DIM "E"	LED COLOR	OPERATING CHARACTERISTICS AT 25°C AMBIENT								ABSOLUTE MAXIMUM RATINGS AT 25°C AMBIENT										
					TEST CONDITION	LUMINOUS INTENSITY (mcd)		FORWARD VOLTAGE (V)		FORWARD CURRENT (mA)		REVERSE CURRENT (μA)	DOMINANT WAVELENGTH (nm)	PEAK WAVELENGTH (nm)	VIEWING ANGLE (DEG)	POWER DISSIP- ATION (mW)	DC FORWARD CURRENT (mA)	DC FORWARD VOLTAGE (V)	PEAK FORWARD CURRENT (mA)	REVERSE VOLTAGE (V)	STORAGE TEMP (°C)	OPERATING TEMP (°C)	SOLDERING TEMP FOR 5 SECONDS (°C)
						MIN	TYP	TYP	MAX	TYP	MAX	MAX	TYP	TYP	TYP								
561-0104-XXXX	.190	.025	.050	RED DIFFUSED, 5V INT RES	V <sub>F</sub> = 5V	2.1	—	—	—	10	15	100	626	635	60	—	—	7.5	—	5	-55 TO +100	-40 TO +85	260
561-0901-XXXX	.190	.018	.040	HIGH EFFICIENCY ORANGE DIFF	I <sub>F</sub> = 10mA	4.0	7.0	1.9	2.4	—	—	100	602	600	60	—	30	—	5	-55 TO +100	-55 TO +100	260	
561-1002-XXXX	.197	.020	.043	InGaN BLUE WATER CLEAR	I <sub>F</sub> = 20mA	900	1500	3.6	4.0	—	—	50	470	—	30	120	30	—	5	-40 TO +100	-30 TO +85	260	
561-1101-XXXX	.190	.018	.040	RED DIFFUSED LOW CURRENT	I <sub>F</sub> = 2mA	1.5	2.3	1.7	2.0	—	—	50	626	635	50	24	7	—	5	-55 TO +100	-55 TO +100	260	
561-1201-XXXX	.190	.018	.040	YELLOW DIFFUSED LOW CURRENT	I <sub>F</sub> = 2mA	1.2	1.8	1.9	2.7	—	—	50	—	583	50	36	7	—	5	-55 TO +100	-55 TO +100	260	
561-1301-XXXX	.190	.018	.040	GREEN DIFFUSED LOW CURRENT	I <sub>F</sub> = 2mA	1.2	1.8	1.8	2.2	—	—	50	—	565	50	24	7	—	5	-55 TO +100	-55 TO +100	260	
561-2101-XXXX	.197	.020	.043	HIGH EFFICIENCY RED DIFF	I <sub>F</sub> = 10mA	2.2	6.3	2.2	2.6	—	—	10	—	650	50	60	25	—	3	-55 TO +100	-55 TO +100	260	
561-2201-XXXX	.195	.020	.043	HIGH EFFICIENCY GREEN DIFF	I <sub>F</sub> = 10mA	4.5	7.9	2.0	2.5	—	—	10	570	572	50	130	40	—	5	-55 TO +100	-55 TO +100	260	
561-2301-XXXX	.195	.020	.043	HIGH EFFICIENCY YELLOW DIFF	I <sub>F</sub> = 10mA	19	40	2.1	2.6	—	—	100	590	585	50	52	20	—	5	-40 TO +100	-40 TO +85	260	
561-2401-XXXX	.190	.018	.040	RED TINTED NON-DIFFUSED	I <sub>F</sub> = 10mA	25	60	2.2	3.0	—	—	100	—	635	35	135	30	—	5	-55 TO +100	-55 TO +100	260	
561-2501-XXXX	.190	.018	.040	GREEN TINTED NON-DIFFUSED	I <sub>F</sub> = 10mA	25	70	2.3	3.0	—	—	100	—	565	24	135	30	—	5	-55 TO +100	-20 TO +100	260	
561-2601-XXXX	.197	.020	.043	YELLOW TINTED NON-DIFFUSED	I <sub>F</sub> = 10mA	29	90	2.0	2.6	—	—	100	588	585	35	60	20	—	5	-55 TO +100	-55 TO +100	260	
561-3001-XXXX	.197	.020	.043	RED/GREEN BI-COLOR	I <sub>F</sub> = 20mA	29/12	90/40	1.8/2.1	2.4/2.8	—	—	100	—	660/565	60	100/100	40/30	—	4/5	-55 TO +100	-55 TO +100	260	
561-3101-XXXX	.197	.020	.043	YELLOW/GREEN BI-COLOR	I <sub>F</sub> = 20mA	2.5	8.7	2.1/2.1	2.8/2.8	—	—	100	—	585/565	50	60/100	20/30	—	5/5	-55 TO +100	-55 TO +100	260	
561-5101-XXXX	.197	.020	.043	SUPER BRIGHT RED DIFFUSED	I <sub>F</sub> = 10mA	19	40	2.0	2.6	—	—	100	623	635	50	81	30	—	5	-40 TO +100	-40 TO +85	260	
561-5201-XXXX	.197	.018	.040	SUPER BRIGHT GREEN DIFFUSED	I <sub>F</sub> = 10mA	19	40	2.1	2.6	—	—	100	571	569	50	52	20	—	5	-40 TO +100	-40 TO +85	260	
561-5301-XXXX	.197	.020	.043	OBSOLETE, USE 561-2301-XXXX																			
561-5401-XXXX	.197	.020	.043	SUPER BRIGHT AMBER DIFFUSED	I <sub>F</sub> = 10mA	12.6	40	2.0	2.6	—	—	100	602	610	50	60	20	—	5	-40 TO +100	-40 TO +85	260	
561-5501-XXXX	.190	.018	.040	RED WATER CLEAR	I <sub>F</sub> = 20mA	80	125	2.2	3.0	—	—	100	—	635	24	135	30	—	5	-55 TO +100	-55 TO +100	260	
561-5601-XXXX	.190	.018	.040	GREEN WATER CLEAR	I <sub>F</sub> = 20mA	80	120	2.3	3.0	—	—	100	569	565	24	135	30	—	5	-55 TO +100	-20 TO +100	260	
561-5701-XXXX	.190	.025	.050	YELLOW WATER CLEAR	I <sub>F</sub> = 20mA	80	140	2.2	3.0	—	—	100	585	583	24	85	20	—	5	-55 TO +100	-55 TO +100	260	
561-5801-XXXX	.197	.024	.049	AMBER WATER CLEAR	I <sub>F</sub> = 20mA	60	90	2.2	2.5	—	—	100	—	605	20	125	50	—	4	-30 TO +100	-30 TO +85	260	
561-5902-XXXX	.197	.020	.043	InGaN GREEN WATER CLEAR	I <sub>F</sub> = 20mA	3000	5000	3.5	4.0	—	—	50	525	—	30	120	30	—	5	-40 TO +100	-30 TO +85	260	
561-6002-XXXX	.197	.020	.043	WHITE WATER CLEAR	I <sub>F</sub> = 20mA	1500	2500	3.5	4.0	—	—	50	X = 0.33 Y = 0.36	—	50	120	30	—	5	-40 TO +100	-30 TO +85	260	

P/N SUFFIX (-XXXX)	DIM "A"	DIM "B"
-050F	.500	.275
-060F	.600	.375
-070F	.700	.475
-080F	.800	.575
-090F	.900	.675
-100F	1.000	.775

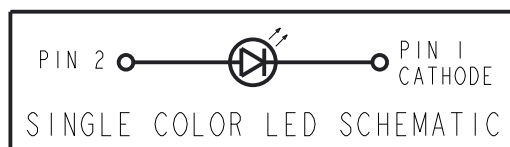


**NOTES:**

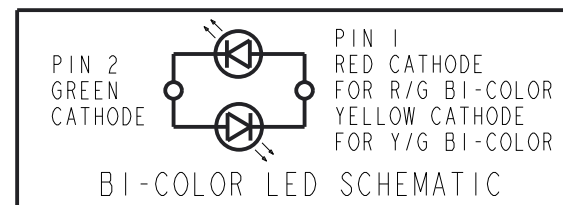
- LED LEAD DIMENSIONS SHOWN ARE MEASURED AT HOUSING EXIT.
- LEADS TO FIT INTO HOLES SPACED AS PER PATTERN.
- PIN NUMBERS FOR REF ONLY, DESIGNATION NON-EXISTENT ON PART.
- DIALIGHT PART NUMBERS: 561-XX0X-XX0F.
- THIS ASSEMBLY CONTAINS ELECTROSTATIC DISCHARGE SENSITIVE DEVICES (ESDS). MAINTAIN ALL PRECAUTIONARY MEASURES DURING ASSEMBLY, HANDLING, AND STORAGE IN ACCORDANCE WITH IPC-A-610.



RECOMMENDED HOLE PATTERN GAUGE



SINGLE COLOR LED SCHEMATIC



BI-COLOR LED SCHEMATIC

THIS DRAWING AND THE CONTENTS HEREIN ARE CONFIDENTIAL AND THE SOLE PROPERTY OF DIALIGHT CORP. REPRODUCTION OF THIS DRAWING OR CONSTRUCTION OF ANY PARTS WITHIN THIS DRAWING ARE FORBIDDEN WITHOUT THE WRITTEN CONSENT OF DIALIGHT CORP.

SCALE: 5.000	DRAWING NUMBER	REV
ALL DIM'S: INCH (mm)	C-17724	B
TOLERANCES: UNLESS OTHERWISE SPECIFIED	TITLE	
FRACTIONS: ±1/64 DECIMALS (.XX): ±.01 DECIMALS (.XXX): ±.005	Ø5mm VERTICAL CBI RoHS COMPLIANT	
ANGLES: ±3°	MATERIAL	
FINISH		
FSCM 83330		
	SHEET 1 OF 1	FAMILY TABLE:

1501 ROUTE 34 SOUTH  
 FARMINGDALE, NJ 07727  
 (732) 919-3119  
 www.dialight.com