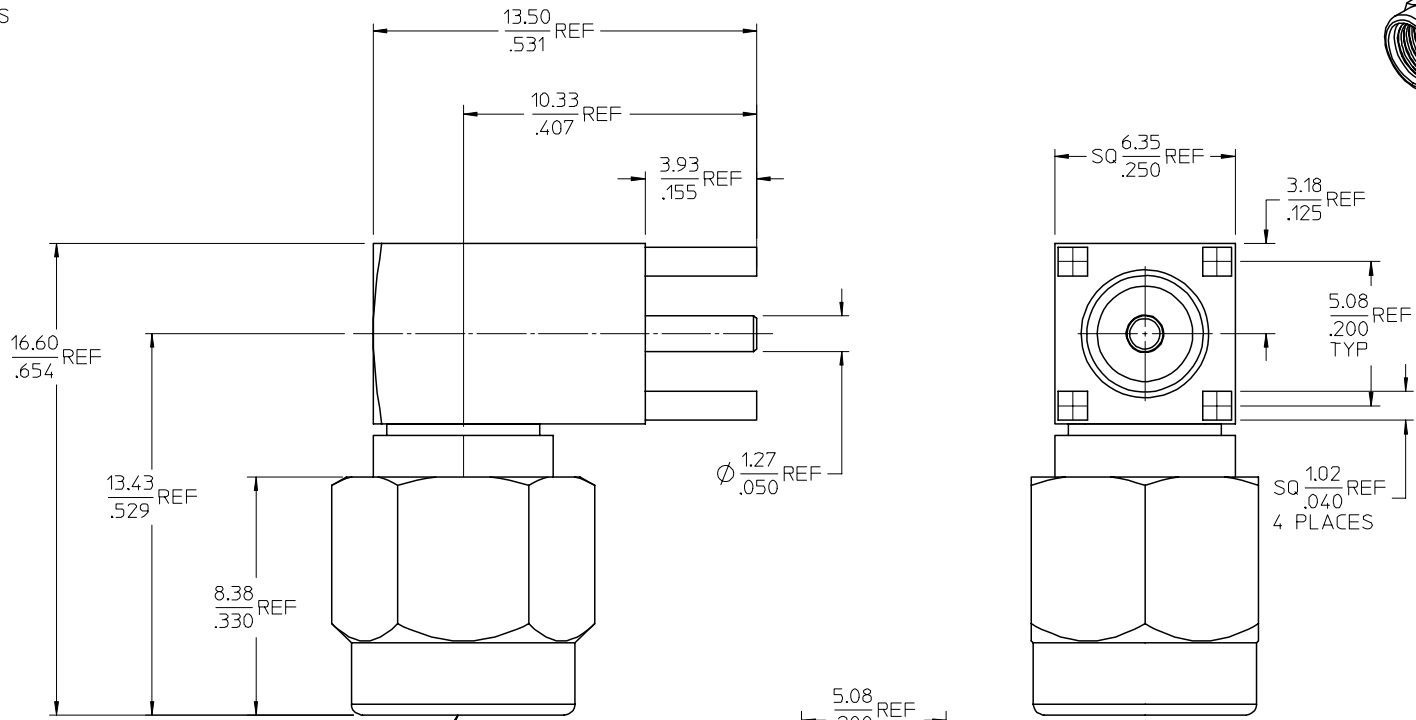
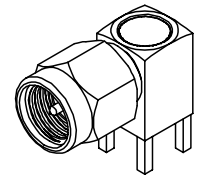


MATERIALS AND FINISHES

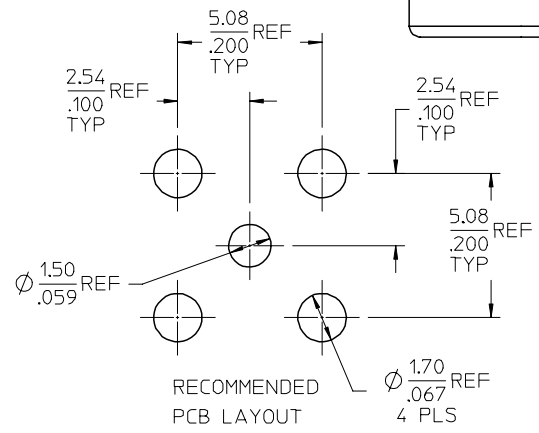
BODY, COVER, C'NUT BRASS
PLATED GOLD

CENTER CONTACT BRASS
PLATED GOLD

INSULATORS TEFLON



SMA PLUG
INTERFACE



PART # 73251-2940

MIL-STD-348A, FIG. 310-1

INTERFACE

SPECIFICATION

DESCRIPTION

CHG: ADDED SHT 2
ADDED P/N
73251-2941

EC NO: URF2007-0200
DRAWN: FLAHERTY 2006/11/10
CHKD: SHAH 2006/11/10
APPR: JIMENER 2006/11/10

QUALITY SYMBOLS
 $\nabla=0$
 $\nabla=0$

GENERAL TOLERANCES (UNLESS SPECIFIED)	
mm	INCH
4 PLACES ±	±
3 PLACES ±	±
2 PLACES ±	±
1 PLACE ±	±

ANGULAR ± 2 °
 DRAFT WHERE APPLICABLE
 MUST REMAIN
 WITHIN DIMENSIONS

DIMENSION STYLE	
MM/IN	DATE
SSS	2006/04/20
CHECKED BY	DATE
TEF	2006/04/20
APPROVED BY	DATE
JDW	2006/04/20

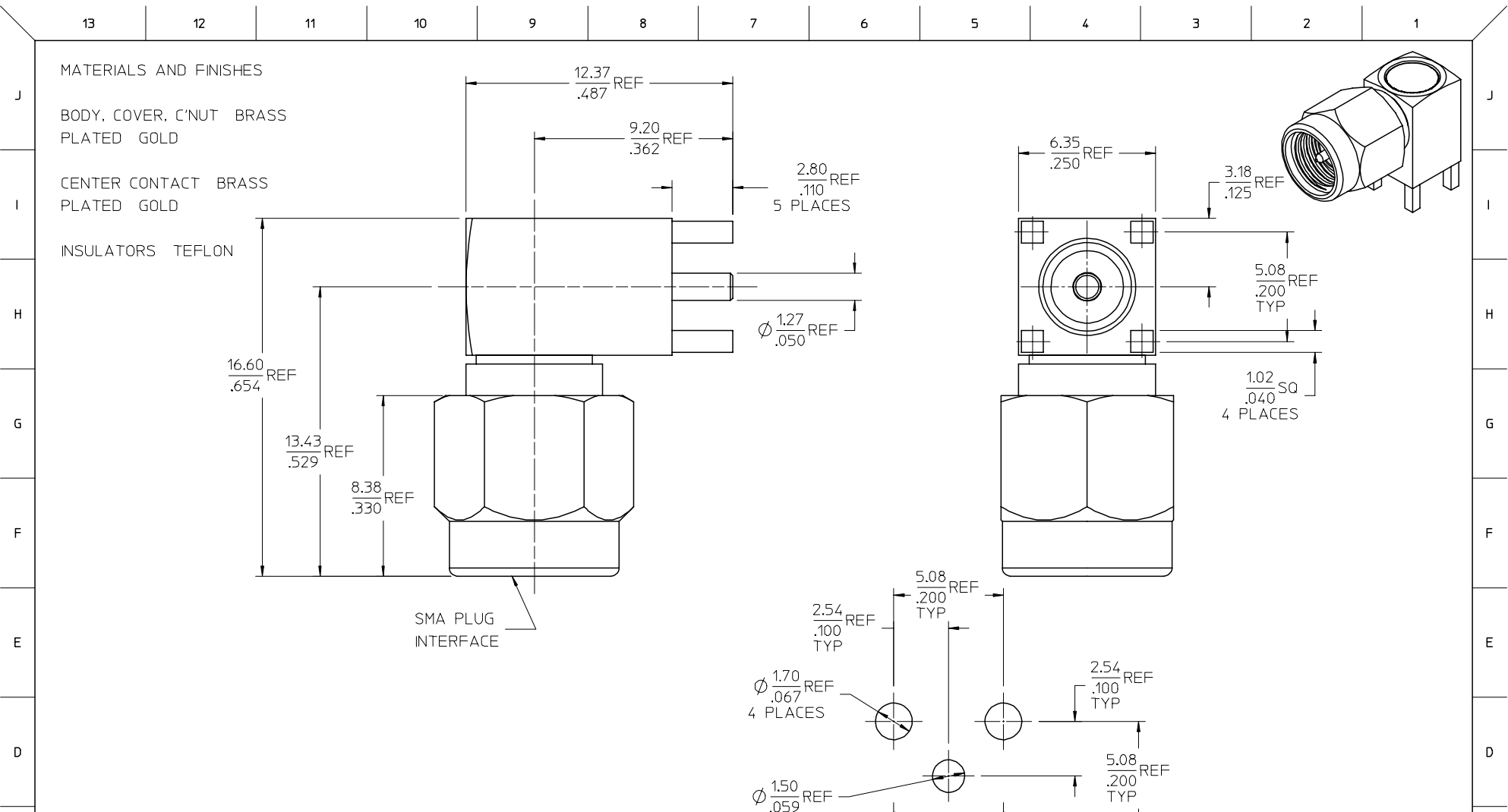
MATERIAL NO.
732512940

SCALE	DESIGN UNITS	THIRD ANGLE PROJECTION
METRIC		

SMA PLUG, R/A, PCB
 50 OHMS, EWR-3072
 SMA-P/PCB

MOLEX INCORPORATED

DOCUMENT NO. **SD-73251-294** SHEET NO. **1 OF 2**



PART # 73251-2941

MIL-STD-348A, FIG. 310-1	INTERFACE
SPECIFICATION	DESCRIPTION

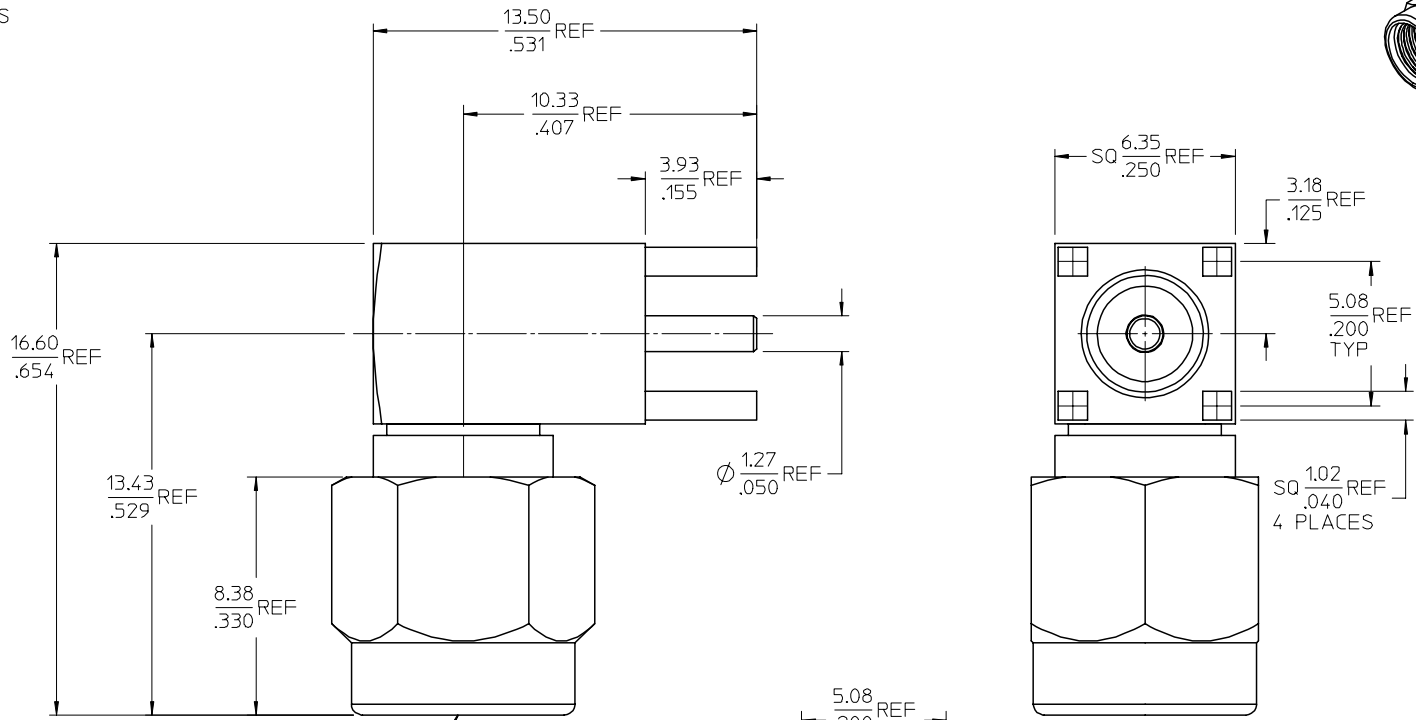
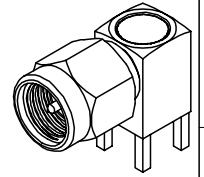
CHG: SEE SHEET 1 EC NO: URF2007-0200 DRAWN: IFLAHERTY 2006/11/10 CHKD: SHAH 2006/11/10 APPR: JIMENER 2006/11/10 B2	QUALITY SYMBOLS ▽=0 ▽=0	GENERAL TOLERANCES (UNLESS SPECIFIED)		DIMENSION STYLE MM/IN		SCALE	DESIGN UNITS	THIRD ANGLE PROJECTION
		mm	INCH	DRAWN BY	DATE	TITLE	METRIC	⊙ □
		4 PLACES	± --- ± ---	SSS	2006/04/20	SMA PLUG, R/A, PCB		
		3 PLACES	± --- ± ---	CHECKED BY	DATE	50 OHMS, EWR-3072		
		2 PLACES	± --- ± ---	TEF	2006/04/20	SMA-P/PCB		
		1 PLACE	± --- ± ---	APPROVED BY	DATE	MOLEX INCORPORATED		
		ANGULAR ± 2 °		JDW	2006/04/20	SD-73251-294		
		DRAFT WHERE APPLICABLE MUST REMAIN WITHIN DIMENSIONS		MATERIAL NO.	732512941	DOCUMENT NO.	SHEET NO. 2 OF 2	
				SIZE	C	THIS DRAWING CONTAINS INFORMATION THAT IS PROPRIETARY TO MOLEX INCORPORATED AND SHOULD NOT BE USED WITHOUT WRITTEN PERMISSION		

MATERIALS AND FINISHES

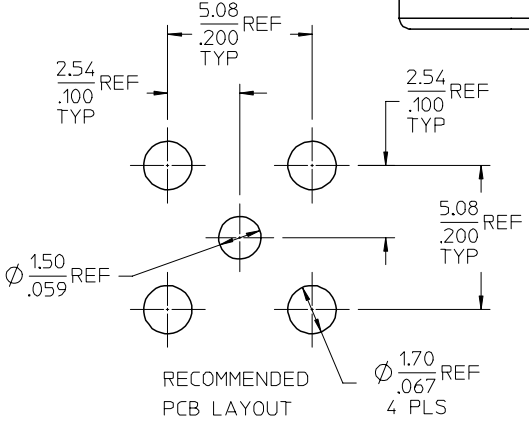
BODY, COVER, C'NUT BRASS
PLATED GOLD

CENTER CONTACT BRASS
PLATED GOLD

INSULATORS TEFLON



SMA PLUG
INTERFACE



PART # 73251-2940

MIL-STD-348A, FIG. 310-1	INTERFACE
SPECIFICATION	DESCRIPTION

CHG: ADDED SHT 2 ADDED P/N 73251-2941 B2	FC NO: URF2007-0200 2006/11/10 DRAWN: IFLAHERY 2006/11/10 CHKD: SHAH 2006/11/10 APPR: JIMENER 2006/11/10	QUALITY SYMBOLS =0 =0	GENERAL TOLERANCES (UNLESS SPECIFIED)		DIMENSION STYLE MM/IN		SCALE	DESIGN UNITS METRIC	THIRD ANGLE PROJECTION			
			4 PLACES	±	±	DRAWN BY SSS	DATE 2006/04/20	TITLE SMA PLUG, R/A, PCB 50 OHMS, EWR-3072 SMA-P/PCB				
			3 PLACES	±	±	CHECKED BY TEF	DATE 2006/04/20	MATERIAL NO. 732512940				
2 PLACES	±	±	APPROVED BY JDW		DATE 2006/04/20	DOCUMENT NO. SD-73251-294		SHEET NO. 1 OF 2				
1 PLACE	±	±	ANGULAR ± 2 °		MATERIAL NO. 732512940		DOCUMENT NO. SD-73251-294		SHEET NO. 1 OF 2			
DRAFT WHERE APPLICABLE MUST REMAIN WITHIN DIMENSIONS			SIZE C		THIS DRAWING CONTAINS INFORMATION THAT IS PROPRIETARY TO MOLEX INCORPORATED AND SHOULD NOT BE USED WITHOUT WRITTEN PERMISSION							

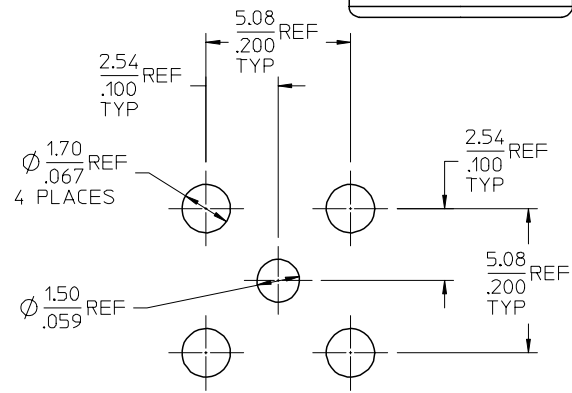
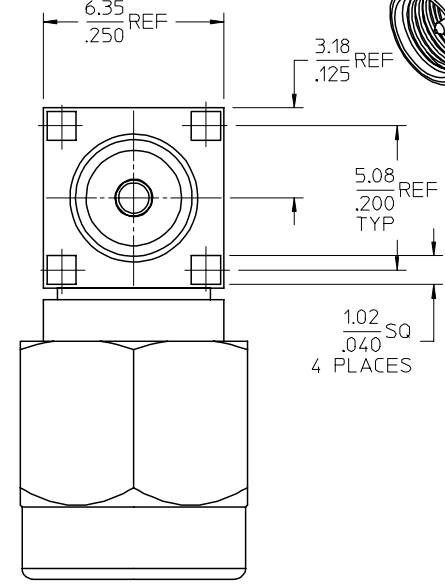
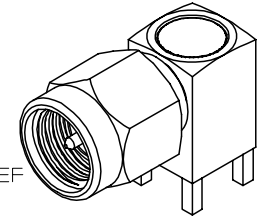
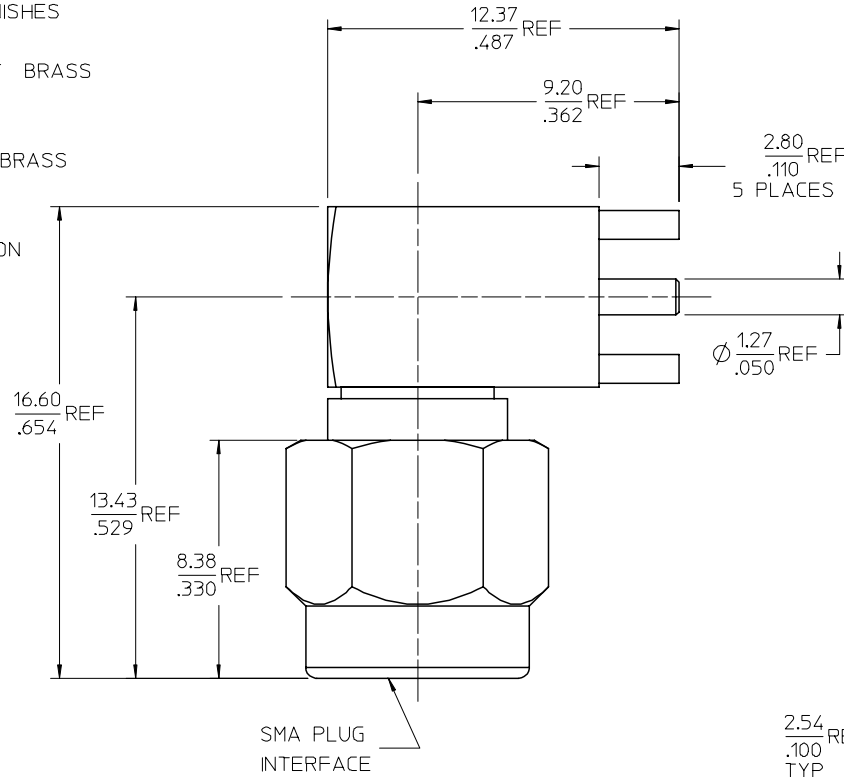
13 12 11 10 9 8 7 6 5 4 3 2 1

MATERIALS AND FINISHES

BODY, COVER, C'NUT BRASS
PLATED GOLD

CENTER CONTACT BRASS
PLATED GOLD

INSULATORS TEFLON



PART # 73251-2941

MIL-STD-348A, FIG. 310-1	INTERFACE
SPECIFICATION	DESCRIPTION

RECOMMENDED
PCB LAYOUT

B	CHG: SEE SHEET 1 EC NO: URF2007-0200 DRAWN: IFLAHERY 2006/11/10 CHKD: SHAH 2006/11/10 APPR: JIMENER 2006/11/10 B2	QUALITY SYMBOLS ▽=0 ▽=0	GENERAL TOLERANCES (UNLESS SPECIFIED) <table border="1"> <tr> <th></th> <th>mm</th> <th>INCH</th> </tr> <tr> <td>4 PLACES</td> <td>± .15</td> <td>± .005</td> </tr> <tr> <td>3 PLACES</td> <td>± .10</td> <td>± .003</td> </tr> <tr> <td>2 PLACES</td> <td>± .07</td> <td>± .002</td> </tr> <tr> <td>1 PLACE</td> <td>± .05</td> <td>± .001</td> </tr> </table> ANGULAR ± 2 °		mm	INCH	4 PLACES	± .15	± .005	3 PLACES	± .10	± .003	2 PLACES	± .07	± .002	1 PLACE	± .05	± .001	DIMENSION STYLE MM/IN	SCALE 1:1	DESIGN UNITS METRIC	THIRD ANGLE PROJECTION
					mm	INCH																
4 PLACES	± .15	± .005																				
3 PLACES	± .10	± .003																				
2 PLACES	± .07	± .002																				
1 PLACE	± .05	± .001																				
A	DRAFT WHERE APPLICABLE MUST REMAIN WITHIN DIMENSIONS	MATERIAL NO. 732512941	DOCUMENT NO. SD-73251-294	SHEET NO. 2 OF 2																		

SMA PLUG, R/A, PCB
50 OHMS, EWR-3072
SMA-P/PCB

molex MOLEX INCORPORATED

THIS DRAWING CONTAINS INFORMATION THAT IS PROPRIETARY TO MOLEX
INCORPORATED AND SHOULD NOT BE USED WITHOUT WRITTEN PERMISSION

12 11 10 9 8 7 6 5 4 3 2 1