

Note:

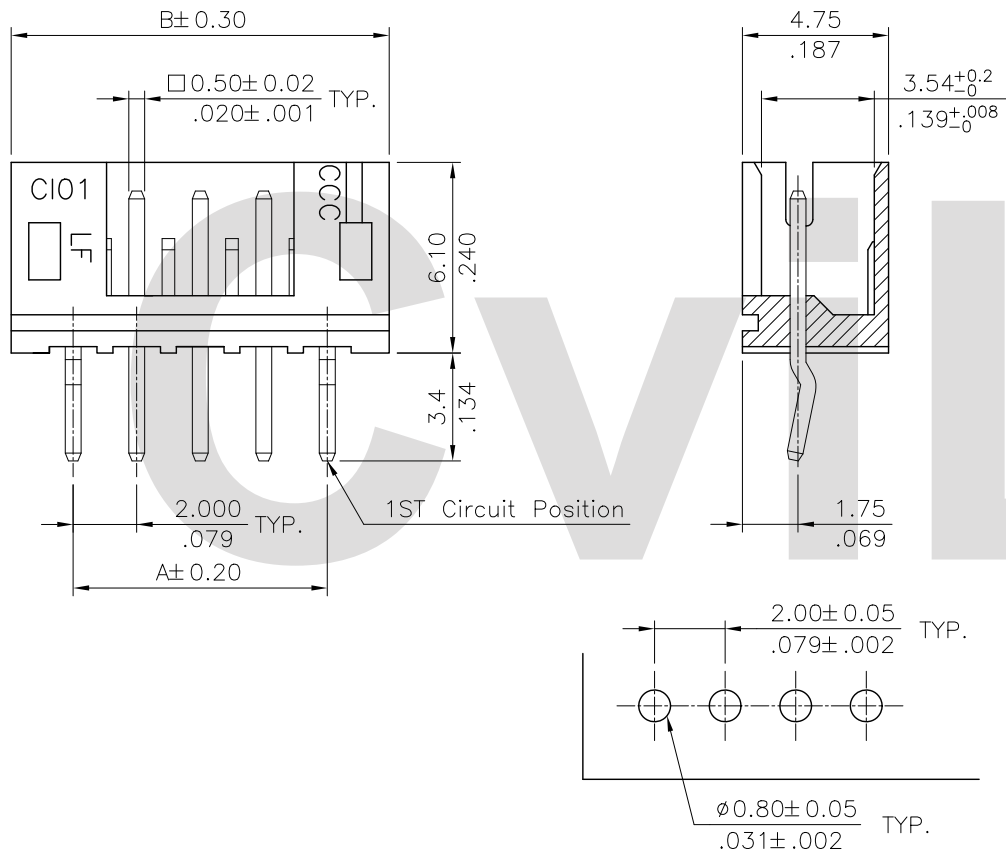
1. Material:
  - \* Insulation: Nylon 6T UL 94V-0  
Color Nature(Halogen-Free)
  - \* Contact: Brass
2. For Lead Free Wave flow Process



### Ordering Code:

CI01 \*\* P 2 V KO -NH  
 ① ② ③ ④ ⑤ ⑥ ⑦

- ① Series No.
- ② No. of Circuits:
- ③ P= Pin header
- ④ Plating:
  - 2= 0.03um(1.2u") Min. Gold Flash plated over  
1.27um(50u") Nickel
- ⑤ Type:V= Straight
- ⑥ Other option: KO= With Pin Kinked
- ⑦ -NH= For Lead Free Wave flow Process and Halogen-Free



Recommended P.C. Board Layout

Circuits	Dimension		
	A	B	C
2	2.0(.079)	6.0(.236)	4.9(.193)
3	4.0(.157)	8.0(.315)	6.9(.272)
4	6.0(.236)	10.0(.394)	8.9(.350)
5	8.0(.315)	12.0(.472)	10.9(.429)
6	10.0(.393)	14.0(.551)	12.9(.508)
7	12.0(.472)	16.0(.630)	14.9(.587)
8	14.0(.551)	18.0(.709)	16.9(.665)
9	16.0(.630)	20.0(.787)	18.9(.744)
10	18.0(.709)	22.0(.886)	20.9(.823)
11	20.0(.787)	24.0(.945)	22.9(.902)
12	22.0(.886)	26.0(1.024)	24.9(.980)
13	24.0(.945)	28.0(1.102)	26.9(1.059)
14	26.0(1.024)	30.0(1.181)	28.9(1.138)
15	28.0(1.102)	32.0(1.256)	30.9(1.217)
16	30.0(1.181)	34.0(1.339)	32.9(1.295)

Halogen-Free  
 Lead Free Process  
 RoHS Compliant

④				 <b>2013.05.16</b> <b>ISSUED</b>			UNIT: mm / inch	TITLE: 2.00MM(.079") STRAIGHT HEADER	 瀚荃股份有限公司 CviLux Corporation
③			DRAWN BY: Enya		DATE: 3/07-13'	TOLERANCE UNLESS OTHERWISE SPECIFIED		MATERIAL:	
②			ENGINEER: Eisley		DATE: 3/12-13'	.X ± 0.30/012	X' ± 1'	CUSTOMER:	
①	Enya	3/7-13'	ECN13056-0/ECR13007-1		CHECKED BY: Eisley	DATE: 3/12-13'	.XX ± 0.20/008	.X' ±	
SYM	NAME	DATE	REVISIONS	APPROVED BY: David	DATE: 3/12-13'	.XXX ± 0.10/004	.XX' ±	SCALE 4 / 1	SHEET 1 OF 1