

ITEM	DESCRIPTION	L	QTY.
L	COPPER FOIL 887801083		1
K	COPPER FOIL 887801114		1
J	USB SERIES MINI-B PLG COVER SHIELD 675460000		1
H	USB SERIES MINI-B PLG SHIELD CASE 675450000		1
G	MINI-B PLG HSG&TERMINAL SUB-ASS'Y 675420008		1
F	TERMINAL (AWG24) (SEE TABLE)		2
E	TERMINAL (AWG28) (SEE TABLE)		2
D	USB2.0 #28/#24 ; CABLE(SEE TABLE)		
C	REAR SHELL 887809084		1
B	FRONT SHELL 887809083		1
A	CRIMP HOUSING 887809086		1

SHELL	SHELL	SHIELDING	BRAID WIRE
4	5	GROUND	BLACK
3	3	+DATA	GREEN
2	2	-DATA	WHITE
1	1	VCC	RED
P 1	P 2	SIGNAL NAME	WIRE COLOR

WIRE DIAGRAM

THIS DRAWING CONTAINS INFORMATION THAT IS PROPRIETARY TO MOLEX ELECTRONIC TECHNOLOGIES, LLC AND SHOULD NOT BE USED WITHOUT WRITTEN PERMISSION AS PER PCN#509451

FUNCTIONAL SYMBOLS	DIMENSION UNITS	SCALE	CURRENT REV DESC: OBSOLETE PART NUMBER
$\nabla/A = 0$	mm	NTS	AS PER PCN#509451
$\nabla/E = 2$	GENERAL TOLERANCES (UNLESS SPECIFIED)		
$\nabla/F = 0$		MM	INCH
	4 PLACES	±	±
	3 PLACES	±	±
	2 PLACES	±	±
	1 PLACE	±	±
	0 PLACES	±	±
	ANGULAR TOL	±	0.5 °
DIVISIONAL SYMBOLS	DRAFT WHERE APPLICABLE MUST REMAIN WITHIN DIMENSIONS		
	THIRD ANGLE PROJECTION	DRAWING	SERIES
		A4-SIZE	88732
	INITIAL REVISION:		DOCUMENT NUMBER
	DRWN: JFZHENG	2006/01/07	SD-887328500
	APPR: DQLUO	2006/01/07	DOC TYPE
			PSD
	MATERIAL NUMBER		DOC PART
	887-328X-0X		001
	CUSTOMER		REVISION
	GENERAL MARKET		C1
	SHEET NUMBER		1 OF 2

DOCUMENT STATUS	P1	RELEASE DATE	2022/02/28	11:53:58
-----------------	----	--------------	------------	----------

NOTE:

1. MOLDED PVC RESIN.CABLE P/N & COLOR AS TABLE

WHITE	887800043	887808233	WHITE
BEIGE	887800059	887808244	BEIGE
BLACK	887800019	887808563	BLACK
BLACK	887800019	887808236	BLACK
BLACK	887800019	887808248	BLACK
FROST WITHE	887800043	887808243	FROST WITHE
RESIN COLOR	RESIN P/N	CABLE P/N	CABLE COLOR

2. STICK UL LABEL ON EACH CARTON.

ELECTRICAL PERFORMANCE:

ALL TEST DUABILITY:0.01 SEC.

1. DIELECTRONIC STRENGTH:500V DC
2. INSULATION RESISTANCE:100M OHMS MIN.
3. CONDUCTIVE RESISTANCE: 3 OHMS MAX.

3. PUT COC AND INSPECTION REPORT IN EVERY CARTON (ONLY APPLY FOR 887328705)

4.ALL COMPONENTS MUST MEET RoHS COMPLIANCE

TABLE

88732-8902	2000±30	USB_A TO MINI_B 2.0 VER	88780-8248	88780-9091	88780-9090
88732-8802	1800±30	USB_A TO MINI_B 2.0 VER	88780-8248	88780-9091	88780-9090
88732-8702	1500±30	USB_A TO MINI_B 2.0 VER	88780-8248	88780-9091	88780-9090
88732-8602	1000±30	USB_A TO MINI_B 2.0 VER	88780-8248	88794-1218	88794-1217
MX P/N	CABLE LENGTH	DESCRIPTION	CABLE P/N	TERM. E P/N	TERM. F P/N

FUNCTIONAL SYMBOLS	THIS DRAWING CONTAINS INFORMATION THAT IS PROPRIETARY TO MOLEX ELECTRONIC TECHNOLOGIES, LLC AND SHOULD NOT BE USED WITHOUT WRITTEN PERMISSION									
	DIMENSION UNITS	SCALE		CURRENT REV DESC: OBSOLETE PART NUMBER AS PER PCN#509451						
$\nabla_A = 0$	mm	NTS		molex USB2.0, A TO MINIB CABLE ASSY PRODUCT CUSTOMER DRAWING						
$\nabla_E = 1$	GENERAL TOLERANCES (UNLESS SPECIFIED)					EC NO: 686785				
		MM	INCH			DRWN: SUGEEB 2021/09/23				
$\nabla_F = 0$	4 PLACES	±	±			CHK'D: GGA 2022/02/28				
DIVISIONAL SYMBOLS	3 PLACES	±	±	APPR: GGA 2022/02/28						
	2 PLACES	±	±	INITIAL REVISION:						
	1 PLACE	±	±	DRWN: JFZHENG 2006/01/07						
	0 PLACES	±	±	APPR: DQLUO 2006/01/07						
	ANGULAR TOL	±	0.5 °	DOCUMENT NUMBER						
DRAFT WHERE APPLICABLE MUST REMAIN WITHIN DIMENSIONS			THIRD ANGLE PROJECTION	DRAWING	SERIES	MATERIAL NUMBER	CUSTOMER	DOC TYPE	DOC PART	REVISION
				A4-SIZE	88732	887-328X-0X	GENERAL MARKET	PSD	001	C1
DOCUMENT STATUS			P1	RELEASE DATE	2022/02/28 11:53:58	SHEET NUMBER				
						2 OF 2				

6

5

4

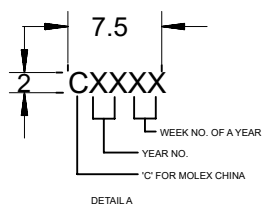
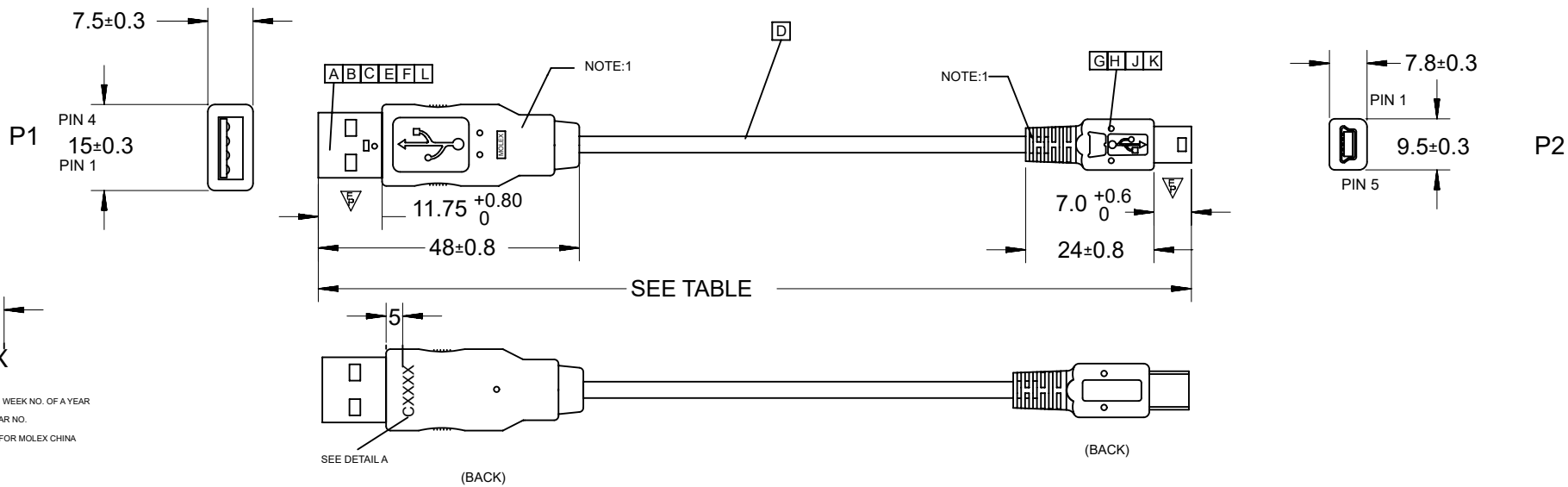
3

2

1

D

D



L	COPPER FOIL 887801083		1
K	COPPER FOIL 887801114		1
J	USB SERIES MINI-B PLG COVER SHIELD 675460000		1
H	USB SERIES MINI-B PLG SHIELD CASE 675450000		1
G	MINI-B PLG HSG&TERMINAL SUB-ASS'Y 675420008		1
F	TERMINAL (AWG24) (SEE TABLE)		2
E	TERMINAL (AWG28) (SEE TABLE)		2
D	USB2.0 #28/#24 ; CABLE(SEE TABLE)		
C	REAR SHELL 887809084		1
B	FRONT SHELL 887809083		1
A	CRIMP HOUSING 887809086		1

SHELL	SHELL	SHIELDING	BRAID WIRE
4	5	GROUND	BLACK
3	3	+DATA	GREEN
2	2	-DATA	WHITE
1	1	VCC	RED
P 1	P 2	SIGNAL NAME	WIRE COLOR

WIRE DIAGRAM ITEM DESCRIPTION L QTY.

THIS DRAWING CONTAINS INFORMATION THAT IS PROPRIETARY TO MOLEX ELECTRONIC TECHNOLOGIES, LLC AND SHOULD NOT BE USED WITHOUT WRITTEN PERMISSION

FUNCTIONAL SYMBOLS	THIS DRAWING CONTAINS INFORMATION THAT IS PROPRIETARY TO MOLEX ELECTRONIC TECHNOLOGIES, LLC AND SHOULD NOT BE USED WITHOUT WRITTEN PERMISSION	SCALE		CURRENT REV DESC: OBSOLETE PART NUMBER AS PER PCN#509451	
	$\nabla/A = 0$	mm	NTS		
$\nabla/E = 0$	GENERAL TOLERANCES (UNLESS SPECIFIED)			DRWN: SUGEEB 2021/09/23	
		MM	INCH	CHK'D: GGA 2022/02/28	
DIVISIONAL SYMBOLS	$\nabla/F = 2$	4 PLACES	±	APPR: GGA 2022/02/28	
		3 PLACES	±	INITIAL REVISION:	DOCUMENT NUMBER
		2 PLACES	±	DRWN: JFZHENG 2006/01/07	SD-887328900
		1 PLACE	±	APPR: DQLUO 2006/01/07	DOC TYPE
		0 PLACES	±		PSD
		ANGULAR TOL	± 0.5 °		001
	DRAFT WHERE APPLICABLE MUST REMAIN WITHIN DIMENSIONS	THIRD ANGLE PROJECTION	DRAWING	SERIES	REVISION
			A4-SIZE	88732	A1
				MATERIAL NUMBER	SHEET NUMBER
				887-328X-0X	1 OF 2
				CUSTOMER	
				GENERAL MARKET	

DOCUMENT STATUS	P1	RELEASE DATE	2022/02/28	11:53:59
-----------------	----	--------------	------------	----------

6

5

4

3

2

1

A

A

NOTE:

1. MOLDED PVC RESIN.CABLE.P/N & COLOR AS TABLE

WHITE	887800043	887808233	WHITE
BEIGE	887800059	887808244	BEIGE
BLACK	887800019	887808563	BLACK
BLACK	887800019	887808236	BLACK
BLACK	887800019	887808248	BLACK
FROST WITHE	887800043	887808243	FROST WITHE
RESIN COLOR	RESIN P/N	CABLE P/N	CABLE COLOR

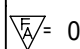
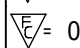
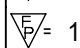
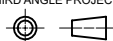
2. STICK UL LABEL ON EACH CARTON.

 ELECTRICAL PERFORMANCE:

- ALL TEST DUABILITY:0.01 SEC.
- 1. DIELECTRONIC STRENGTH:500V DC
- 2. INSULATION RESISTANCE:100M OHMS MIN.
- 3. CONDUCTIVE RESISTANCE: 3 OHMS MAX.
- 3. PUT COC AND INSPECTION REPORT IN EVERY CARTON (ONLY APPLY FOR 887328705)
- 4. ALL COMPONENTS MUST MEET RoHS COMPLIANCE

TABLE

88732-8902	2000±30	USB_A TO MINI_B 2.0 VER	88780-8248	88780-9091	88780-9090
88732-8802	1800±30	USB_A TO MINI_B 2.0 VER	88780-8248	88780-9091	88780-9090
88732-8702	1500±30	USB_A TO MINI_B 2.0 VER	88780-8248	88780-9091	88780-9090
88732-8602	1000±30	USB_A TO MINI_B 2.0 VER	88780-8248	88794-1218	88794-1217
MX P/N	CABLE LENGTH	DESCRIPTION	CABLE P/N	TERM. E P/N	TERM. F P/N

FUNCTIONAL SYMBOLS	THIS DRAWING CONTAINS INFORMATION THAT IS PROPRIETARY TO MOLEX ELECTRONIC TECHNOLOGIES, LLC AND SHOULD NOT BE USED WITHOUT WRITTEN PERMISSION								
	DIMENSION UNITS	SCALE		CURRENT REV DESC: OBSOLETE PART NUMBER AS PER PCN#509451					
	mm	NTS		molex USB2.0, A TO MINIB CABLE ASSY PRODUCT CUSTOMER DRAWING					
	GENERAL TOLERANCES (UNLESS SPECIFIED)					EC NO: 686785			
		MM	INCH			DRWN: SUGEEB 2021/09/23			
	4 PLACES	±	±			CHK'D: GGA 2022/02/28			
DIVISIONAL SYMBOLS	3 PLACES	±	±	APPR: GGA 2022/02/28					
	2 PLACES	±	±	INITIAL REVISION:					
	1 PLACE	±	±	DRWN: JFZHENG 2006/01/07					
	0 PLACES	±	±	APPR: DQLUO 2006/01/07					
	ANGULAR TOL	±	0.5 °	DOCUMENT NUMBER					
DRAFT WHERE APPLICABLE MUST REMAIN WITHIN DIMENSIONS			THIRD ANGLE PROJECTION	DRAWING	SERIES	DOCUMENT NUMBER	DOC TYPE	DOC PART	REVISION
				A4-SIZE	88732	SD-887328900	PSD	001	A1
						MATERIAL NUMBER	CUSTOMER	SHEET NUMBER	
						887-328X-0X	GENERAL MARKET	2 OF 2	

DOCUMENT STATUS	P1	RELEASE DATE	2022/02/28	11:53:59
-----------------	----	--------------	------------	----------