

# AI 6 -12 BK -1000 - Ferrule

1004301

<https://www.phoenixcontact.com/us/products/1004301>

Please be informed that the data shown in this PDF document is generated from our online catalog. Please find the complete data in the user documentation. Our general terms of use for downloads are valid.

Ferrule, sleeve length: 12 mm, length: 20 mm, color: black



## Your advantages

- In terms of dimensions, they correspond to DIN 46228-4: 1990-09
- The ferrules with plastic sleeve are made from soft tin-plated electrolytic copper

## Commercial data

Item number	1004301
Packing unit	1 pc
Minimum order quantity	1,000 pc
Sales key	BH34
Product key	BH3411
Catalog page	Page 483 (C-3-2019)
GTIN	4055626473307
Weight per piece (including packing)	0.393 g
Weight per piece (excluding packing)	0.393 g
Customs tariff number	85369010
Country of origin	DE

# AI 6 -12 BK -1000 - Ferrule

1004301

<https://www.phoenixcontact.com/us/products/1004301>

## Technical data

### Product properties

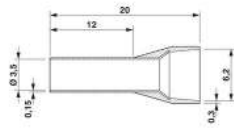
Product type	Cable end sleeve
--------------	------------------

### Connection data

#### Conductor connection

Conductor cross section flexible max.	6 mm <sup>2</sup>
Conductor cross section AWG max.	10
Stripping length	15 mm

### Dimensions

Dimensional drawing	
Length	20 mm
Sleeve length	12 mm
Maximum stripping length	15 mm
Ferrule diameter	3.5 mm
Sleeve wall thickness	0.2 mm
Insulating collar thickness	0.3 mm
Inner dimensions of the insulating collar	6.2 mm

### Material specifications

Color	black
Material	CU-DHP
Flammability rating according to UL 94	HB
Coating	tin-plated (galvanic)
Components	free from silicone and halogen

### Mechanical properties

#### Technical data

Sleeve length	12 mm
---------------	-------

### Environmental and real-life conditions

#### Ambient conditions

Permanent temperature	105 °C (-40 °C no load / 0 °C dynamic load)
Short-term temperature	120 °C

### Standards and regulations

# AI 6 -12 BK -1000 - Ferrule

1004301

<https://www.phoenixcontact.com/us/products/1004301>



Design according to standard

Special color

# AI 6 -12 BK -1000 - Ferrule

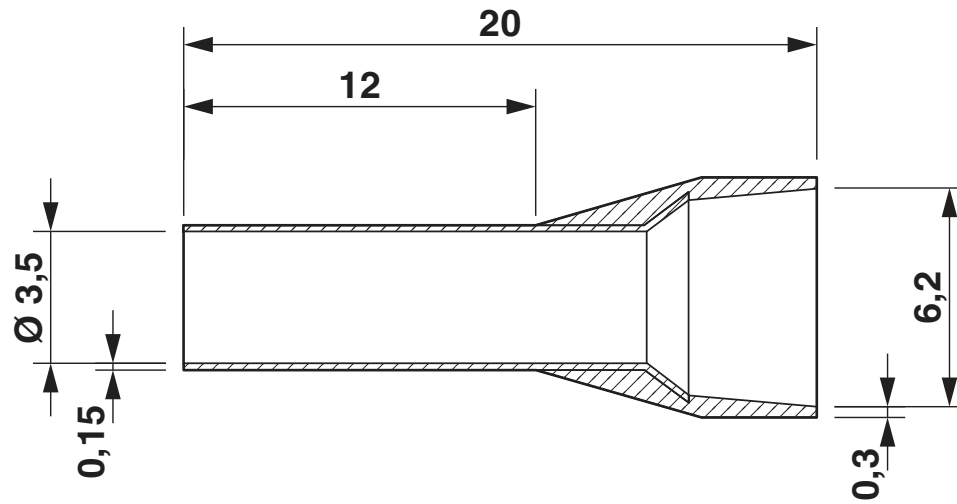
1004301

<https://www.phoenixcontact.com/us/products/1004301>



## Drawings

Dimensional drawing



# AI 6 -12 BK -1000 - Ferrule



1004301

<https://www.phoenixcontact.com/us/products/1004301>

## Classifications

### ECLASS

ECLASS-11.0	27400201
ECLASS-12.0	27400201
ECLASS-13.0	27400201

### ETIM

ETIM 8.0	EC000005
----------	----------

### UNSPSC

UNSPSC 21.0	27121703
-------------	----------

# AI 6 -12 BK -1000 - Ferrule



1004301

<https://www.phoenixcontact.com/us/products/1004301>

## Environmental product compliance

China RoHS	Environmentally friendly use period: unlimited = EFUP-e No hazardous substances above threshold values
------------	---

Phoenix Contact 2023 © - all rights reserved  
<https://www.phoenixcontact.com>

Phoenix Contact USA  
586 Fulling Mill Road  
Middletown, PA 17057, United States  
(+717) 944-1300  
[info@phoenixcon.com](mailto:info@phoenixcon.com)