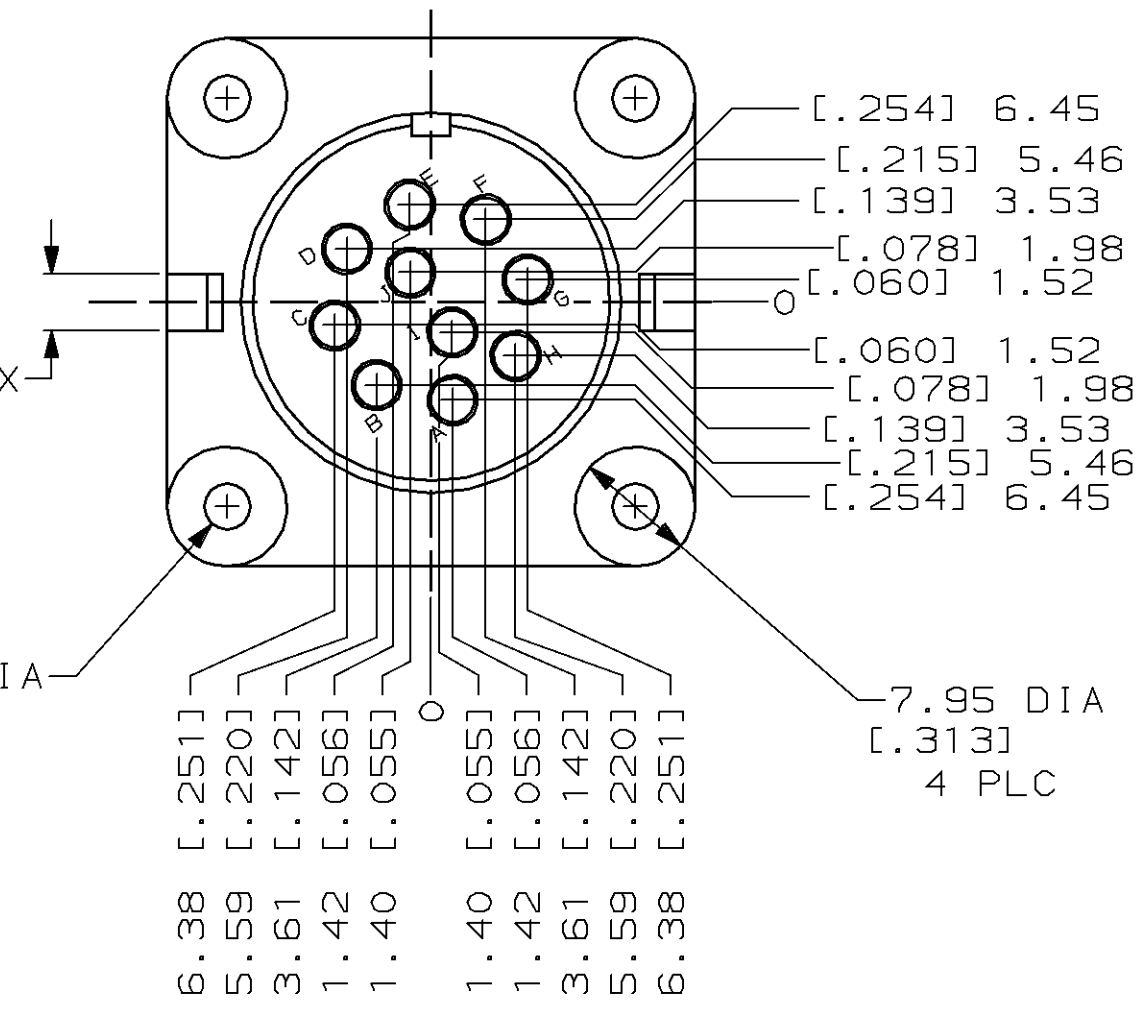
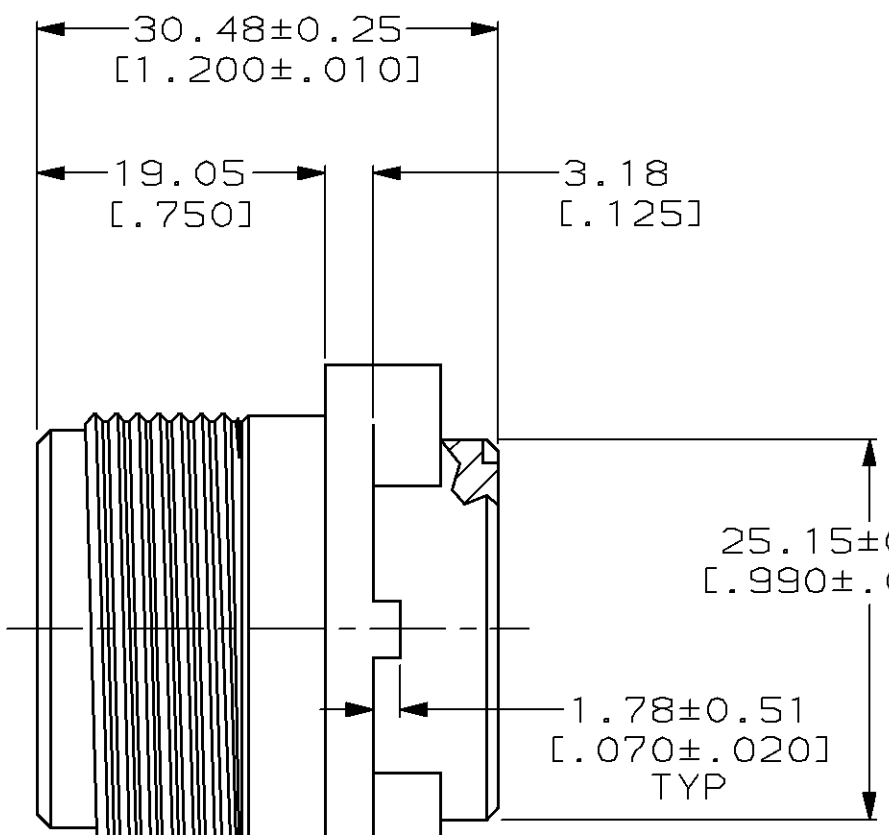
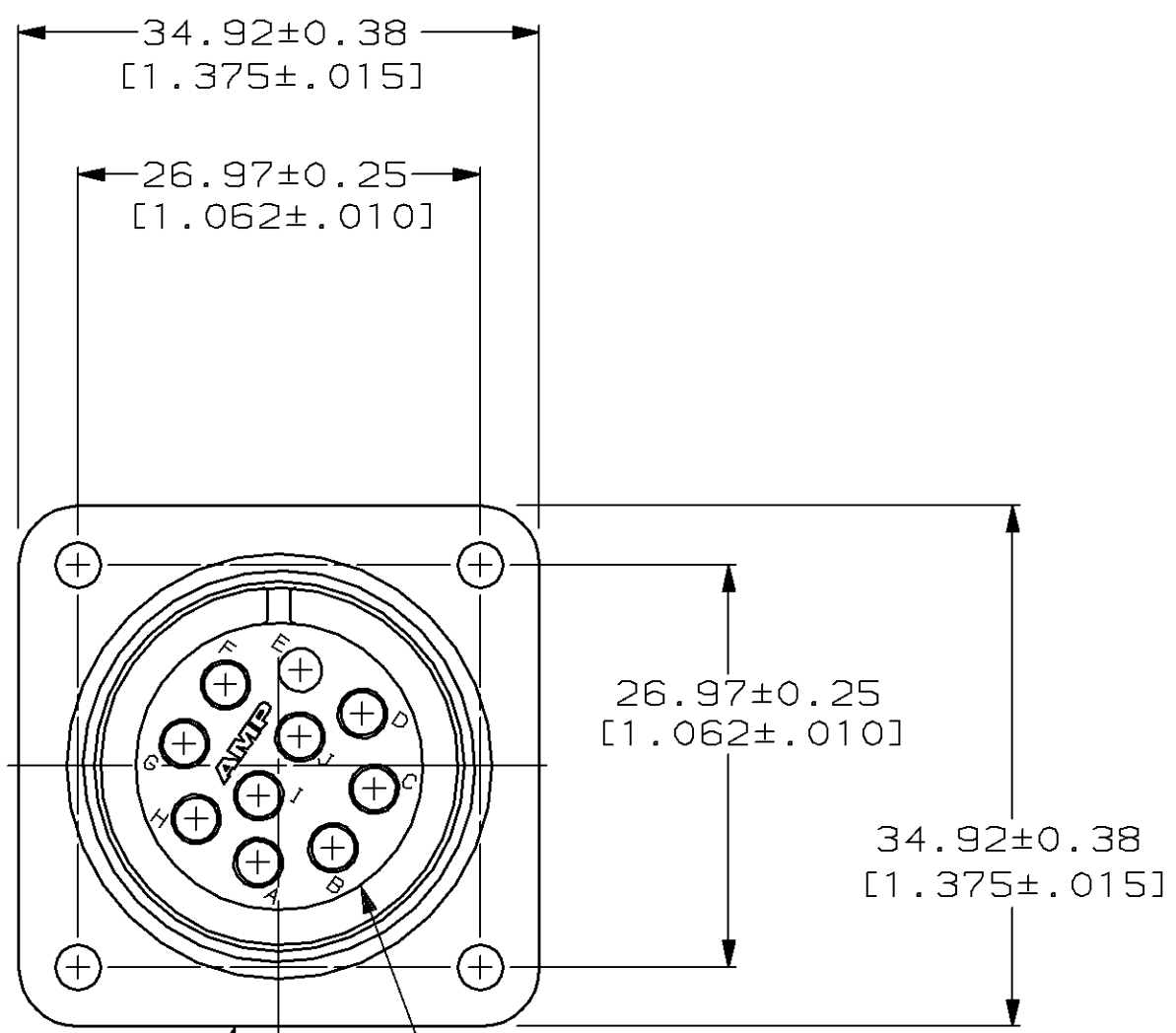


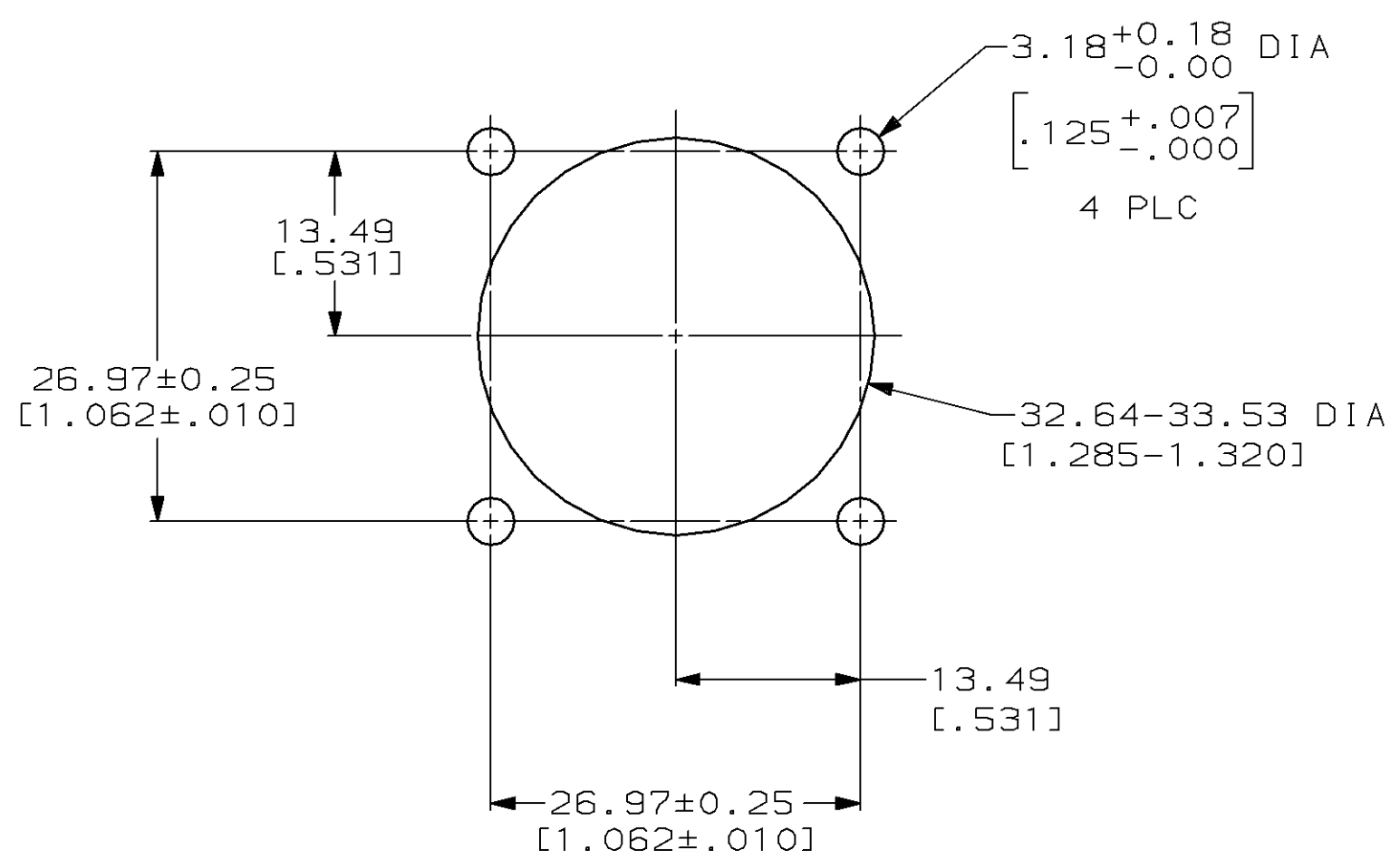
LOC	DIST	P	F	REVISIONS				
				ZONE	LTR	DESCRIPTION	DATE	APPD
BD	35			0		RLSE, WAS 91-5029-1, NPR 3371	4-91	KB
				A		REV PER ECN BD5278	08/13/91	KB
				B		REV PER ECN BD5637	05/29/92	KB
				C		REV PER EC 0020-155-94	03/10/94	AF
				D		REV PER EC 0020-0740-94	07/13/94	AF
				E		REV PER EC 0020-0657-95	06/27/95	RB



1 1/8-18 UNEF-2A  
 PD 27.622 MAX  
 [1.0875]  
 MAJOR DIA 28.539 MAX  
 [1.1236]

4.06 MAX [.160] PANEL THICKNESS  
 7.62 [.300] 4 PLC

CAVITY IDENTIFICATION LETTERS BOTH SIDES



PANEL CUTOUT

- 1 AMP PART NO APPEARS ON THIS SURFACE.
- 2. THIS PART ACCEPTS TYPE III+ SOCKET CONTACTS.
- 3. RECEPTACLE MATES WITH PRODUCT DESIGNED TO MIL SPEC 5015.

DO NOT SCALE PRINT. UNLESS SPECIFIED DIMENSIONS IN mm [INCHES] TOLERANCES ON : 2 PLC DEC ± 0.13 [.005] 3 PLC DEC ± - ANGLES ± 1°		DR 4-29-91 J McCLINTON		213667-1 PART NO	
MATERIAL POLYAMID, BLACK		CHK 5-2-91 R.STONE		AMP AMP Incorporated Harrisburg, PA 17105-3608	
FINISH -		APPD 5-2-91 K.BEAVER		NAME RECEPTACLE HOUSING, 18-10, REVERSE SEX, SQUARE FLANGE, CPC	
		APPD 5-2-91 J.FULPONI		SIZE C 00779	
		PRODUCT SPEC 108-10024		DRAWING NO 213667	
		APPLICATION SPEC 114-10004		SCALE 2:1	
		WEIGHT -		SHEET 1 OF 1	