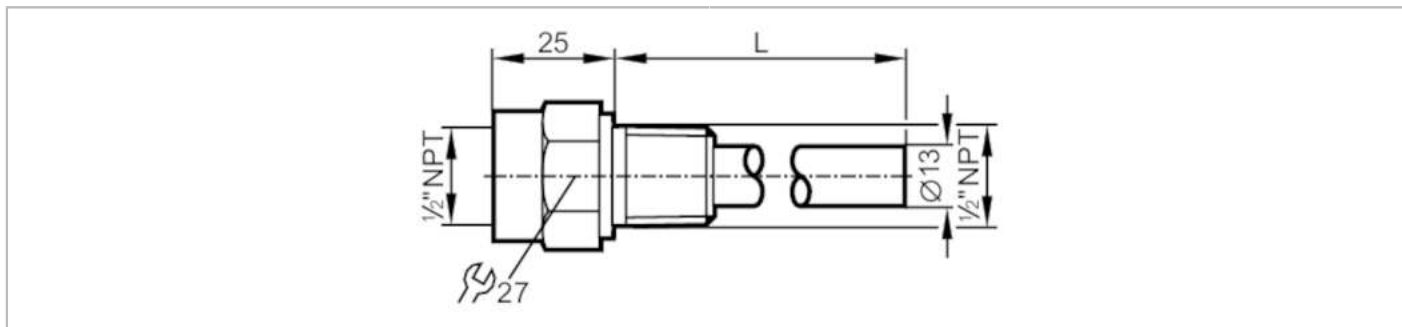


UT0009



Thermowell for temperature sensors

THERMOWELL, 10MMx100MM, 1/2NPT



Application	
Design	for temperature sensors EL = 100 mm
Pressure rating [bar]	16
Measuring/setting range	
Probe length L [mm]	72
Mechanical data	
Weight [g]	118.7
Materials	stainless steel (316 / 1.4401)
Sensor connection	1/2" NPT Ø 10 mm
Process connection	1/2" NPT
Remarks	
Pack quantity	1 pcs.