

THIS DRAWING IS UNPUBLISHED.

RELEASED FOR PUBLICATION

20

LOC

DIST

REVISIONS

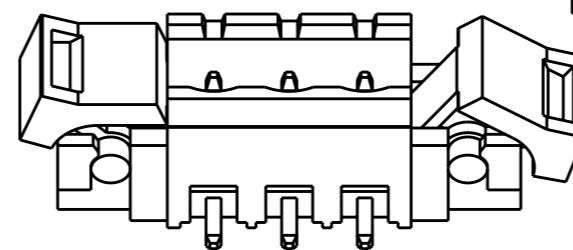
© COPYRIGHT 20 Tyco Electronics AMP GmbH

ALL RIGHTS RESERVED.

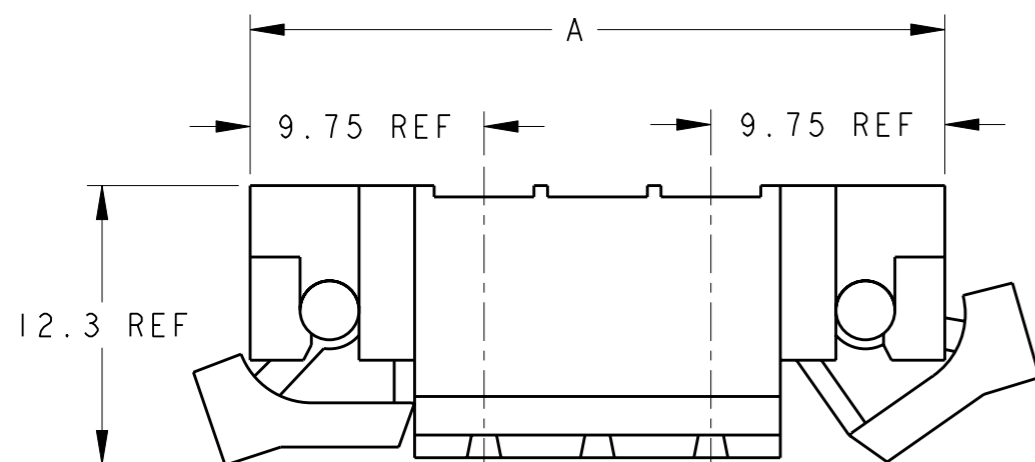
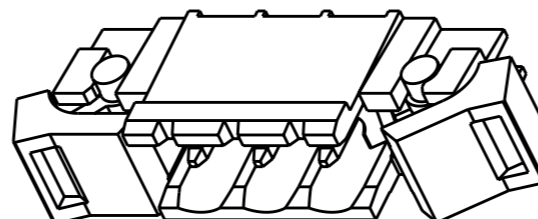
FT

0

P	LTR	DESCRIPTION	DATE	DWN	APVD
	B1	REVISED PER ECO-12-007711	26APR2012	KH	MS

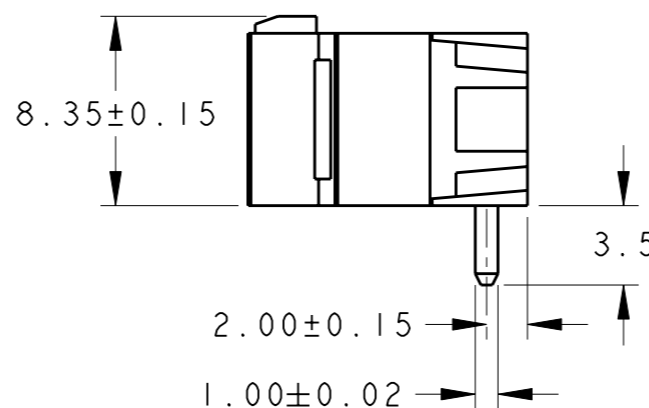
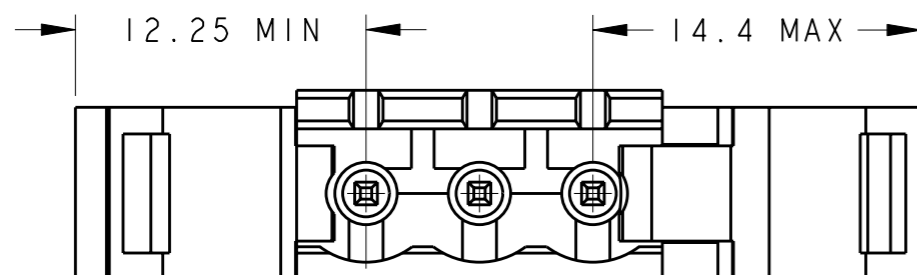


284008-3 AS SHOWN



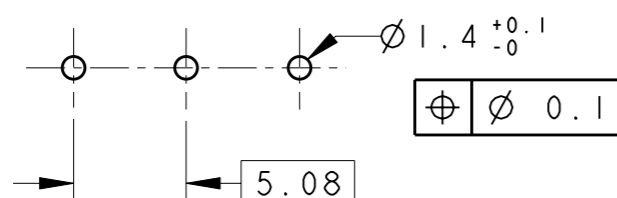
- 1 MATERIALS AND FINISH  
HOUSING: PA 6-6, UL 94-V0, COLOR GREEN.  
POST: COPPER ALLOY, TIN PLATED.
- 2 SUITABLE FOR 1,6-2,4mm PC BOARD THICKNESS.
- 3 NOT CUMULATIVE TOLERANCE
- 4 IMQ CERTIFICATE WITH SURVEILLANCE IN CONFORMITY WITH IEC 998-1/998-2-1.

121.10	21	2-284008-1
116.02	20	2-284008-0
110.94	19	1-284008-9
105.86	18	1-284008-8
100.78	17	1-284008-7
95.70	16	1-284008-6
90.62	15	1-284008-5
85.54	14	1-284008-4
80.46	13	1-284008-3
75.38	12	1-284008-2
70.30	11	1-284008-1
65.22	10	1-284008-0
60.14	9	284008-9
55.06	8	284008-8
49.98	7	284008-7
44.90	6	284008-6
39.82	5	284008-5
34.74	4	284008-4
29.66	3	284008-3
24.58	2	284008-2
<b>DIM. A</b>	<b>N° OF POS.</b>	<b>PART NUMBER</b>



3 5.08 ± 0.05 1.00 ± 0.02

RECOMMENDED PC BOARD LAYOUT



THIS DRAWING IS A CONTROLLED DOCUMENT.		DWN E. ZANOLINI 02JAN2002	TE Connectivity	
DIMENSIONS: mm		CHK E. ZANOLINI 02JAN2002		
TOLERANCES UNLESS OTHERWISE SPECIFIED:		APVD D. BIEVENOUR 02JAN2002	NAME TERMINAL BLOCK HEADER ASSEMBLY 90 DEGREE WITH EJECTORS 5.08mm PITCH	
0 PLC ±.3 1 PLC ±.3 2 PLC ±.25 3 PLC ±. 4 PLC ±. ANGLES ±2		PRODUCT SPEC 108-20166	SIZE A3	
MATERIAL		APPLICATION SPEC 114-20079	CAGE CODE 00779	DRAWING NO C-284008
FINISH		WEIGHT -	RESTRICTED TO -	
		CUSTOMER DRAWING		SCALE 3:1
				SHEET 1 OF 1
				REV B1