

Customer Information Sheet

DRAWING No.: M22-253XXXX

SHEET 2 OF 2

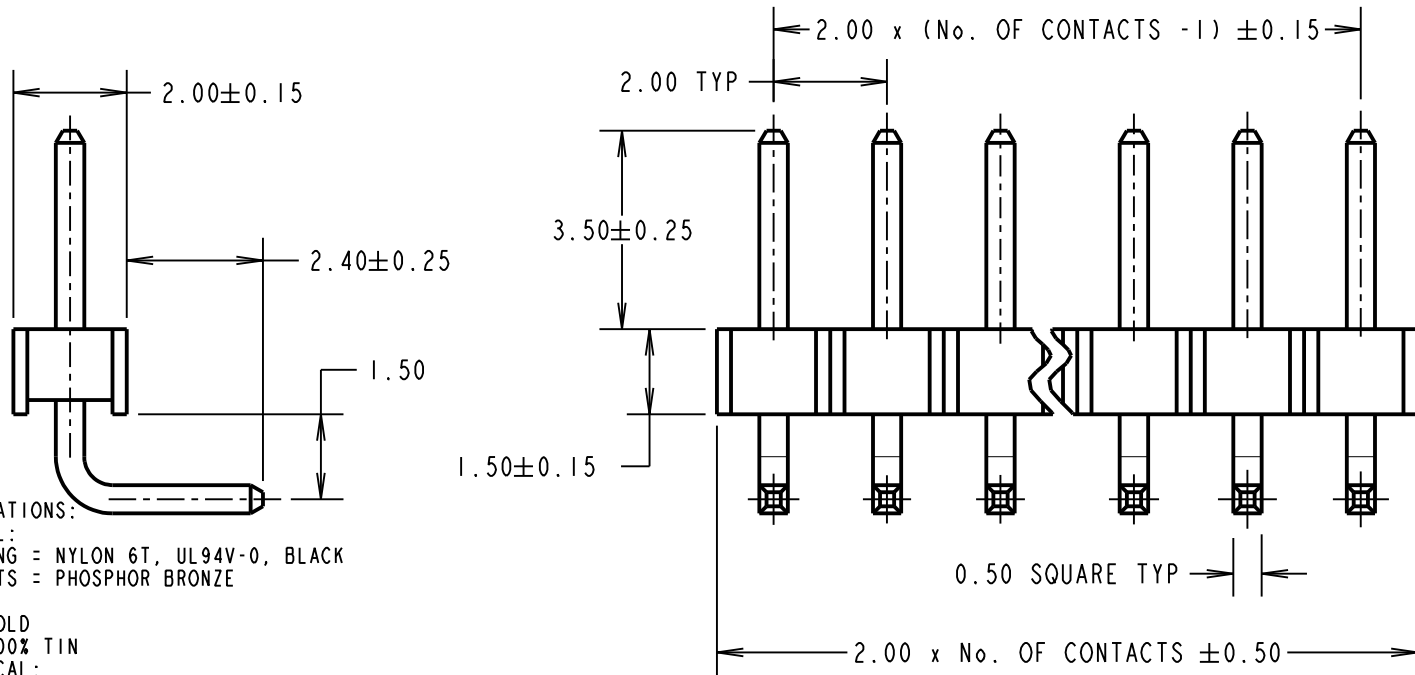
IF IN DOUBT - ASK

©

NOT TO SCALE

THIRD ANGLE PROJECTION

ALL DIMENSIONS IN mm

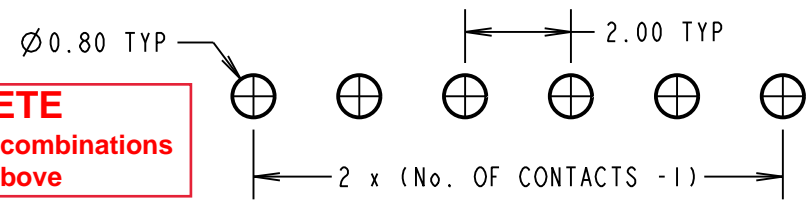


ORDER CODE:
M22-253XXXX
 No. OF CONTACTS: _____
 02 TO 20
 FINISH: _____
 05 = GOLD
 46 = 100% TIN

- Active products:**
- M22-2530205
 - M22-25303XX
 - M22-25304XX
 - M22-2530505
 - M22-2530605
 - M22-25307XX
 - M22-2530805
 - M22-2530946
 - M22-25310XX
 - M22-2531405
 - M22-2531546
 - M22-2531705
 - M22-2532005

SPECIFICATIONS:
MATERIAL:
 MOULDING = NYLON 6T, UL94V-0, BLACK
 CONTACTS = PHOSPHOR BRONZE
FINISH:
 05 = GOLD
 46 = 100% TIN
ELECTRICAL:
 CURRENT RATING = 2A
 VOLTAGE PROOF = 500V AC
 CONTACT RESISTANCE = 20mΩ MAX
 INSULATION RESISTANCE = 1,000MΩ MIN
MECHANICAL:
 DURABILITY = 300 OPERATIONS (GOLD), 50 OPERATIONS (TIN)
 INSERTION FORCE = 2N MAX
 WITHDRAWAL FORCE = 0.3N MIN
ENVIRONMENTAL:
 TEMPERATURE RANGE = -40°C TO +105°C
PACKING:
 BAG
 FOR COMPLETE SPECIFICATION, SEE
 COMPONENT SPECIFICATION C018XX (LATEST ISSUE)

OBSOLETE
 All other size/finish combinations
 not listed above



RECOMMENDED PCB LAYOUT
 (TOLERANCE = ±0.05)

NOTES:
 1. ALL TOLERANCES ARE ±0.20 UNLESS OTHERWISE STATED.

FM	9	17.01.18	21036
NAME	ISS.	DATE	C/NOTE
APPROVED: F. MCGOWAN			
CHECKED: S. BENNETT			
DRAWN: W. J. BOURNE			
CUSTOMER REF.:			
ASSEMBLY DRG:			



www.harwin.com
 technical@harwin.com

THIS DRAWING AND ANY INFORMATION OR DESCRIPTIVE MATTER SET OUT HEREON ARE CONFIDENTIAL AND COPYRIGHT PROPERTY OF THE HARWIN GROUP AND MUST NOT BE DISCLOSED, LOANED, COPIED OR USED FOR MANUFACTURING, TENDERING OR FOR ANY OTHER PURPOSE WITHOUT THEIR WRITTEN PERMISSION.

TOLERANCES
~~X = ±1mm~~
~~X.X = ±0.50mm~~
~~X.XX = ±0.10mm~~
~~X.XXX = ±0.01mm~~
 ANGLES = ±5°
 UNLESS STATED

MATERIAL:
 SEE ABOVE
FINISH:
 SEE ABOVE
S/AREA: mm²

TITLE:
 2.00mm PITCH SIL HORIZONTAL
 PC TAIL PIN HEADER ASSEMBLY
DRAWING NUMBER:
M22-253XXXX
 SHT 2 OF 2