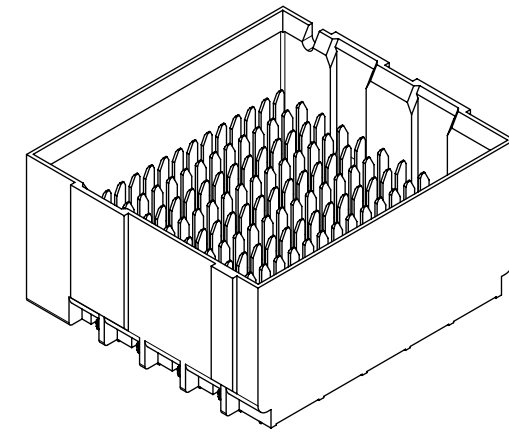


- NOTES:
- MATERIALS: HOUSING - LIQUID CRYSTAL POLYMER (LCP)
GLASS-FILLED, UL94V-0
TERMINALS - HIGH PERFORMANCE COPPER ALLOY
 - FINISH: 30μ MIN. GOLD IN CONTACT AREA.
SELECTIVE TIN ON PCB TAILS.
NICKEL OVERALL.
 - REFER TO MOLEX PRODUCT SPECIFICATION PS-76060-999 FOR PERFORMANCE SPECIFICATIONS AND ADDITIONAL PCB INFORMATION.
 - THIS PART CONFORMS TO CLASS B REQUIREMENTS OF COSMETIC SPEC PS-45499-002.
 - PARTS PACKAGED PER PK-70873-7702.
 - SEE SHEETS 2 & 3 FOR PART NUMBERS AND BOARD RELATIONSHIPS.
 - MATES WITH IMPACT DC SERIES NO. 76780.
 - REFER TO MOLEX PCB ROUTING GUIDE AS-76060-990 FOR ANTIPAD AND ROUTING RECOMMENDATIONS.

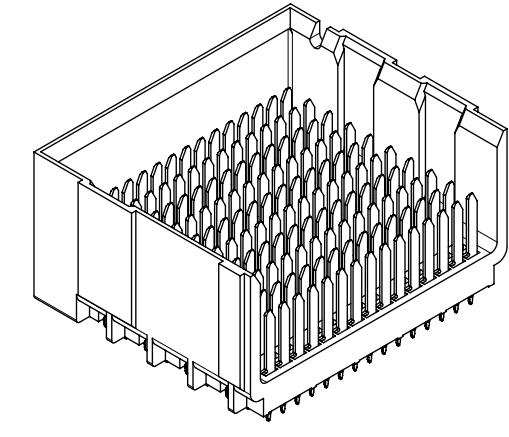
THIS DRAWING CONTAINS INFORMATION THAT IS PROPRIETARY TO MOLEX ELECTRONIC TECHNOLOGIES, LLC AND SHOULD NOT BE USED WITHOUT WRITTEN PERMISSION											
MIGRATED TO NX EC NO: 168852 DRWN: ABABU01 CHKD: CD REV / APPR: GGA	GENERAL TOLERANCES (UNLESS SPECIFIED)		DIMENSION UNITS	SCALE	molex						
	ANGULAR TOL ± 0.5 °		MM	4:1							
	4 PLACES ±	JLAURX	DATE	2007/06/18		IMPACT BP 85 OHM 5 PAIR UNGUIDED ASSEMBLY SALES DRAWING					
	3 PLACES ±	JLAURX	DATE	2007/06/18							
	2 PLACES ± 0.13	JLAURX	DATE	2010/07/12		PRODUCT CUSTOMER DRAWING					
	1 PLACE ± 0.25	JLAURX	DATE	2010/07/12		SERIES	MATERIAL NUMBER	CUSTOMER			
0 PLACES ±	JLAURX	DATE	2010/07/12		76775	SEE TABLE	GENERAL MARKET				
DRAFT WHERE APPLICABLE MUST REMAIN WITHIN DIMENSIONS		DRAWING SIZE	THIRD ANGLE PROJECTION		DOCUMENT NUMBER		DOC TYPE	DOC PART	SHEET NUMBER		
C1	C	C	C		SD-76775-001	PSD	001	1 OF 3			

MATERIAL NUMBER	# OF COLUMNS	# OF DIFF. PAIR	DIM. A	DIM. B	DUAL END WALL OPTION
76775-*12*	10	50	21.7	17.10	
76775-*62*	16	80	33.1	28.50	



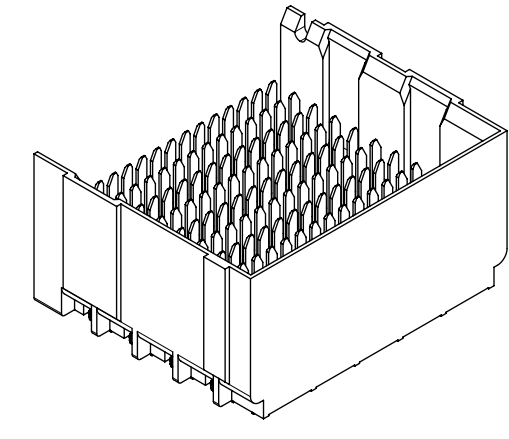
DUAL END
WALL OPTION

MATERIAL NUMBER	# OF COLUMNS	# OF DIFF. PAIR	DIM. A	DIM. B	LEFT END WALL OPTION
76775-*11*	10	50	20.3	17.10	
76775-*61*	16	80	31.7	28.50	



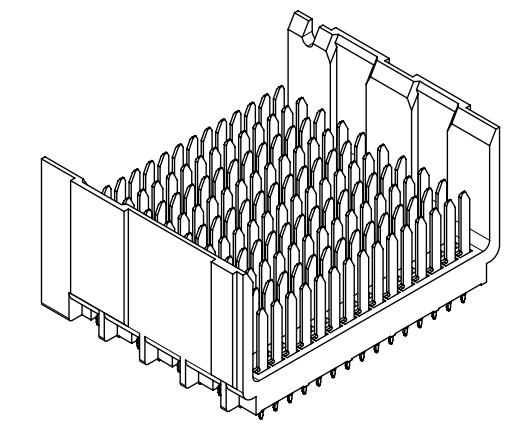
LEFT END
WALL OPTION

MATERIAL NUMBER	# OF COLUMNS	# OF DIFF. PAIR	DIM. A	DIM. B	RIGHT END WALL OPTION
76775-*13*	10	50	20.3	17.10	
76775-*63*	16	80	31.7	28.50	



RIGHT END
WALL OPTION

MATERIAL NUMBER	# OF COLUMNS	# OF DIFF. PAIR	DIM. A	DIM. B	OPEN WALL OPTION
76775-*10*	10	50	19.0	17.10	
76775-*60*	16	80	30.4	28.50	



OPEN
WALL OPTION

76775-****

MODULE TYPE
1 = UNGUIDED, TIN

OF COLUMNS
1 = 10 COL.
6 = 16 COL.

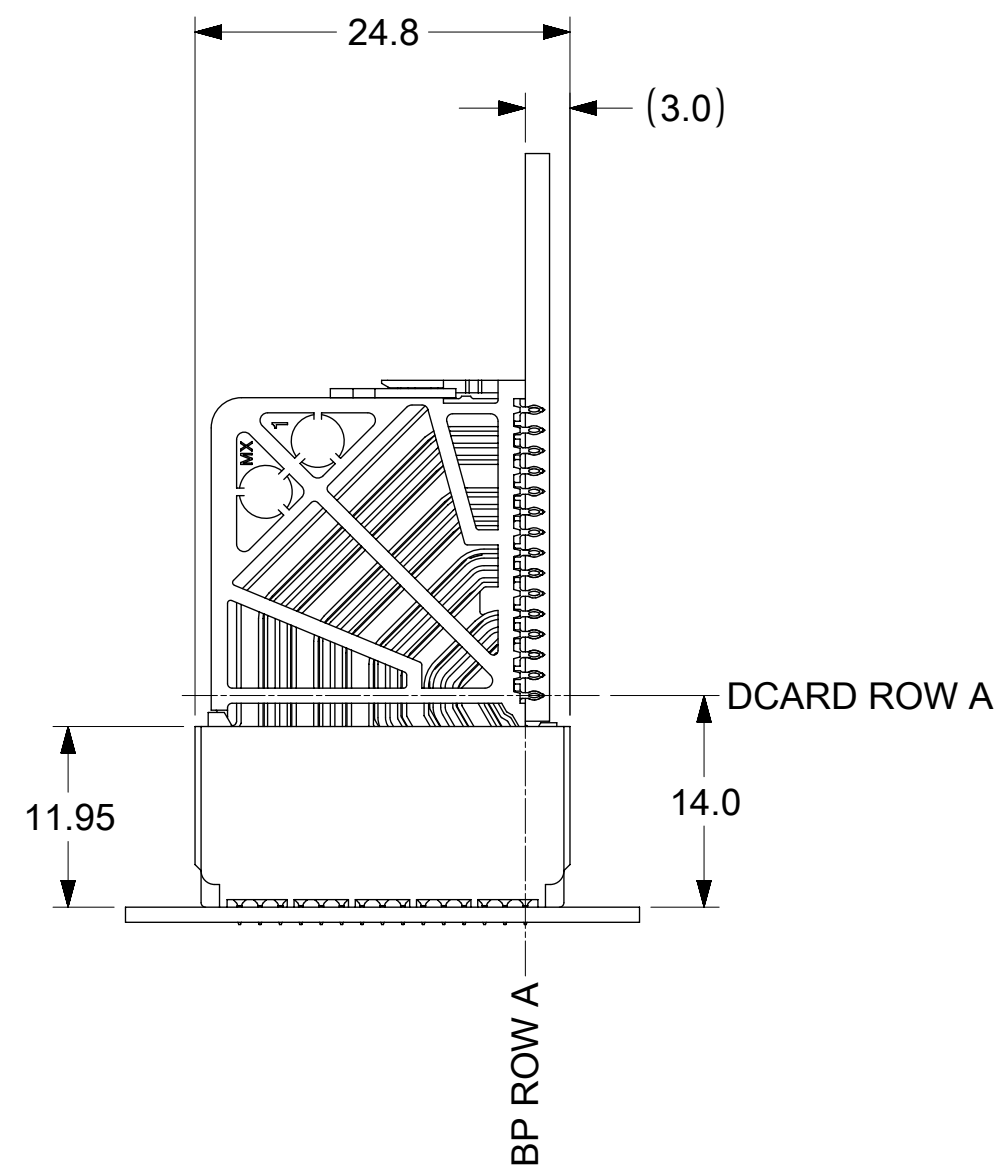
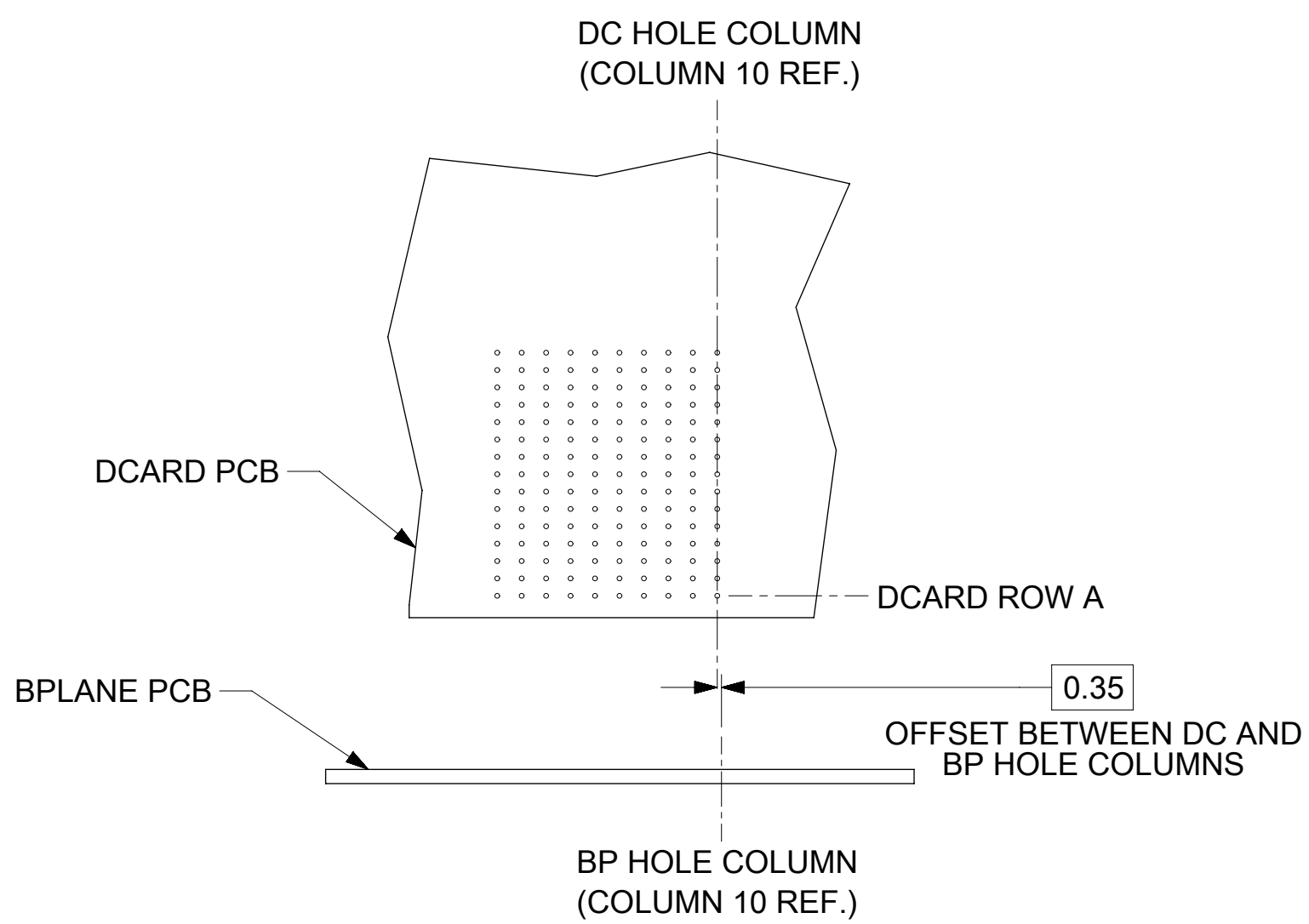
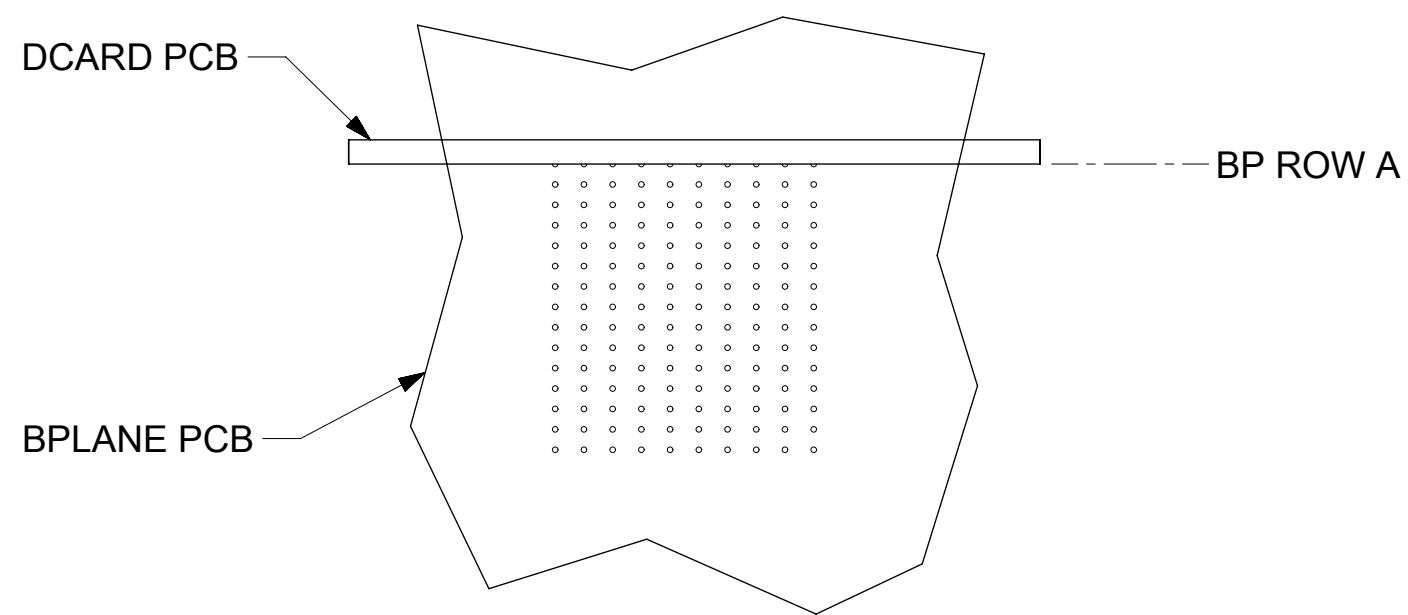
P = PIN LENGTH
4 = 4.90 (SHORT COMPLIANT, 0.46±0.05 PTH)
5 = 5.50 (SHORT COMPLIANT, 0.46±0.05 PTH)
7 = 4.90 (MICRO COMPLIANT, 0.39±0.05 PTH)
8 = 5.50 (MICRO COMPLIANT, 0.39±0.05 PTH)

END WALL OPTIONS
0 = OPEN ENDS
1 = LEFT END WALL
2 = DUAL END WALL
3 = RIGHT END WALL

THIS DRAWING CONTAINS INFORMATION THAT IS PROPRIETARY TO MOLEX ELECTRONIC TECHNOLOGIES, LLC AND SHOULD NOT BE USED WITHOUT WRITTEN PERMISSION

MIGRATED TO NX EC NO: 168852 DRWN: ABABU01 CHKD: CD REV / APPR: GGA	2017/10/31	2017/11/30	2017/12/01	GENERAL TOLERANCES (UNLESS SPECIFIED) ANGULAR TOL ± 0.5 ° 4 PLACES ± 3 PLACES ± 2 PLACES ± 0.13 1 PLACE ± 0.25 0 PLACES ± DRAFT WHERE APPLICABLE MUST REMAIN WITHIN DIMENSIONS	DIMENSION UNITS	SCALE		
	MM		2:1		DRWN BY	DATE		
	JLAURX		2007/06/18		CHKD BY	DATE		
	JLAURX		2007/06/18		APPR BY	DATE		
JLAURX		2010/07/12	DRAWING SIZE		THIRD ANGLE PROJECTION	PRODUCT CUSTOMER DRAWING SERIES: 76775 MATERIAL NUMBER: SEE TABLE CUSTOMER: GENERAL MARKET		
C1		C		DOCUMENT NUMBER: SD-76775-001		DOC TYPE: PSD	DOC PART: 001	SHEET NUMBER: 2 OF 3

IMPACT 5 PAIR BOARD RELATIONSHIPS



THIS DRAWING CONTAINS INFORMATION THAT IS PROPRIETARY TO MOLEX ELECTRONIC TECHNOLOGIES, LLC AND SHOULD NOT BE USED WITHOUT WRITTEN PERMISSION												
MIGRATED TO NX	EC NO: 168852	2017/10/31	GENERAL TOLERANCES (UNLESS SPECIFIED)		DIMENSION UNITS	SCALE	molex IMPACT BP 85 OHM 5 PAIR UNGUIDED ASSEMBLY SALES DRAWING					
	DRWN: ABABU01	2017/11/30	ANGULAR TOL ± 0.5 °		MM	2:1						
	CHKD: CD	2017/12/01	4 PLACES ±	DRWN BY		DATE		PRODUCT CUSTOMER DRAWING				
	REV / APPR: GGA		3 PLACES ±	JLAURX		2007/06/18						
			2 PLACES ± 0.13	CHKD BY		DATE		SERIES MATERIAL NUMBER CUSTOMER 76775 SEE TABLE GENERAL MARKET				
			1 PLACE ± 0.25	JLAURX		2007/06/18						
		0 PLACES ±	APPR BY		DATE		DOCUMENT NUMBER DOC TYPE DOC PART SHEET NUMBER SD-76775-001 PSD 001 3 OF 3					
C1			JLAURX		2010/07/12							
DRAFT WHERE APPLICABLE MUST REMAIN WITHIN DIMENSIONS			DRAWING SIZE		THIRD ANGLE PROJECTION							