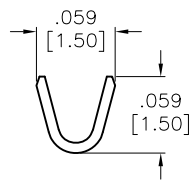
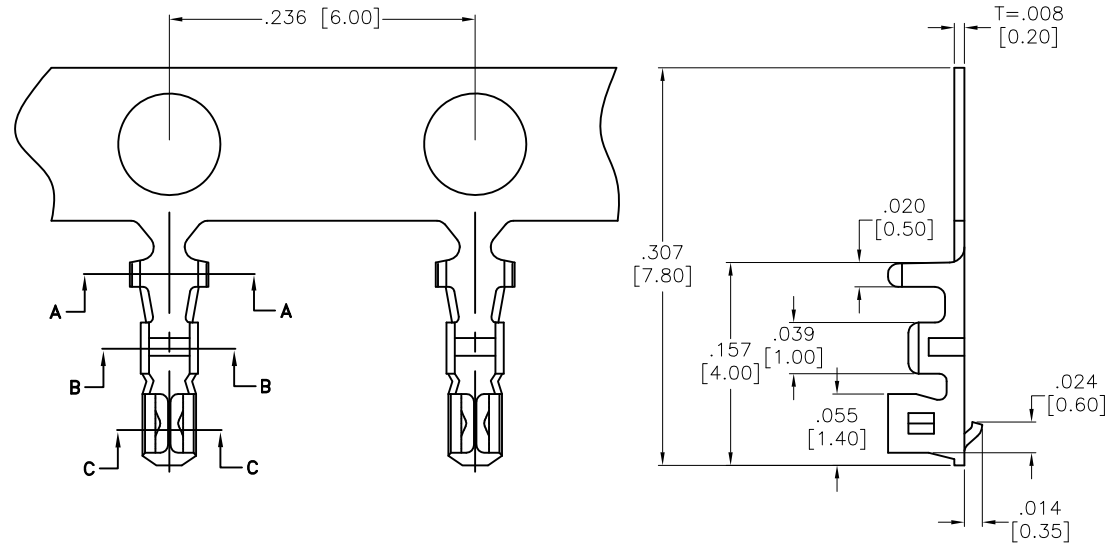
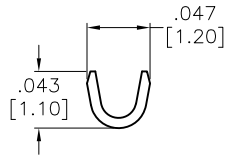


APPROVED: \_\_\_\_\_  
 DATE: \_\_\_\_\_ TITLE: \_\_\_\_\_

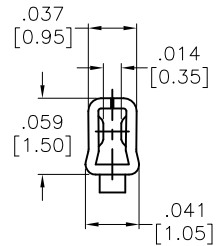
Rev	AWO #	Description	Date	Appr
-		RELEASED	3/19/07	
A		UPDATED SPECIFICATIONS	7/28/09	
B		UPDATE DRAWING	9/12/17	AY/NC



SECTION A-A



SECTION B-B



SECTION C-C

**SPECIFICATIONS:**  
 Material:  
 Contact: Phospher Bronze  
 Plating:  
 Tin over Nickel underplate overall  
 Electrical:  
 Current rating: 1A AC/DC  
 Contact resistance: 20 mohms max  
 Insulation resistance: 500 mohms min.  
 Withstan Voltage: 500V AC/Minuite  
 Mechanical:  
 Applicable Wires: 28~32 AWG  
 Temperature Rating:  
 -25°C to +85°C  
 Environmental:  
 Lead free, RoHS compliant



UNLESS OTHERWISE SPECIFIED ALL DIMENSIONS ARE INCHES [MM] TOLERANCES: EXCEPT AS NOTED		
INCHES		HOLES
.X ± .10	ØX ± .10	
.XX ± .020	ØXX ± .015	
.XXX ± .015	ØXXX ± .010	
APPROVALS		DATE
DRAWN	BW	01/17/07
CHECKED		
APPROVED		

**ADAM TECH**  
 909 Rahway Avenue, Union, NJ 07083  
 Phone: 908-687-5000 Fax: 908-687-5710

TITLE: ZH 1.5mm TERMINAL

SIZE X	PART NO. 15CTA-R	REV. B
REF: S00124T	SCALE: NTS	SHEET 1 OF 1