

MATERIALS AND FINISHES:  
SEE SD-73415-106

73366-6331	THIS IS P/N: 73415-1061 FOR SMALL QTY TAPE PACKAGING	PER P/N 89542-0391
73366-6330	THIS IS P/N: 73415-1063 PLACED IN A SINGLE BAG WITH LABEL	PER P/N 89542-0087
PART NO.	DESCRIPTION	PACKAGING

LABEL WITH EACH BAG  
FOR 73366-6330

PART NUMBER: 73415-1063  
ORDER NUMBER: 73366-6330  
MOLEX  
DATE: YYWW

LABEL WITH EACH BAG  
FOR 73366-6331

PART NUMBER: 73415-1061  
ORDER NUMBER: 73366-6331  
MOLEX  
DATE: YYWW

FUNCTIONAL SYMBOLS	THIS DRAWING CONTAINS INFORMATION THAT IS PROPRIETARY TO MOLEX ELECTRONIC TECHNOLOGIES, LLC AND SHOULD NOT BE USED WITHOUT WRITTEN PERMISSION												
	DIMENSION UNITS	SCALE	CURRENT REV DESC: ADD 73366-6330, -6331 PKG LABEL PER EWR14242I								<b>molex</b>		
$\frac{F}{A} = 0$	IN/MM	NTS	GENERAL TOLERANCES (UNLESS SPECIFIED)		EC NO: 661119					MCX JACK EDGELAUNCH SMT PCB MCX-J/PCB			
$\frac{F}{C} = 0$	ANGULAR TOL $\pm$ °		4 PLACES $\pm$		DRWN: CWEI02 2021/03/29								
$\frac{F}{P} = 0$	DIVISIONAL SYMBOLS		3 PLACES $\pm$		CHK'D: YCHENG 2021/05/07					PRODUCT CUSTOMER DRAWING			
2 PLACES $\pm$		APPR: YCHENG 2021/05/07											
1 PLACE $\pm$		INITIAL REVISION:		DRWN: AROBERTSON 2011/05/04						DOCUMENT NUMBER	DOC TYPE	DOC PART	REVISION
0 PLACES $\pm$		APPR: JWIENER 2011/05/05		SD-73366-633						PSD	001	A2	
DRAFT WHERE APPLICABLE MUST REMAIN WITHIN DIMENSIONS		THIRD ANGLE PROJECTION		DRAWING	SERIES	MATERIAL NUMBER	CUSTOMER	SHEET NUMBER					
				C-SIZE	73366	SEE TABLE	GENERAL MARKET	1 OF 1					

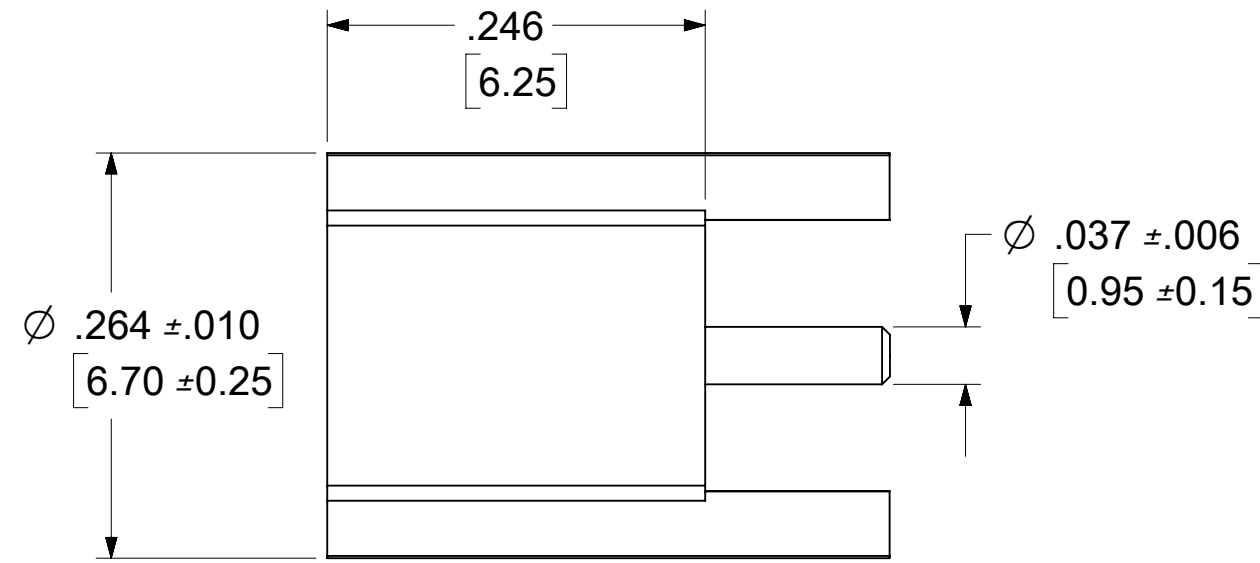
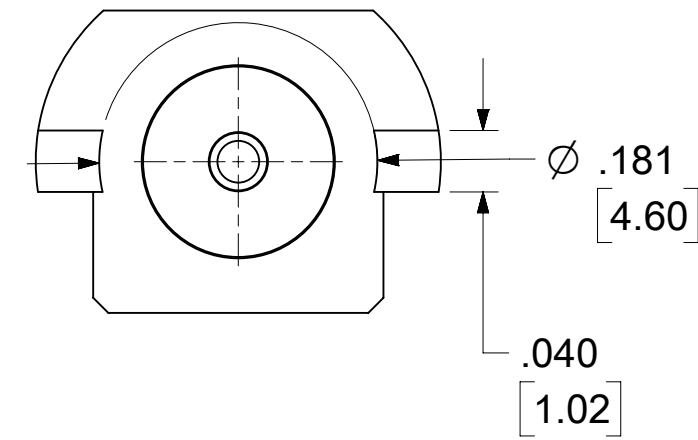
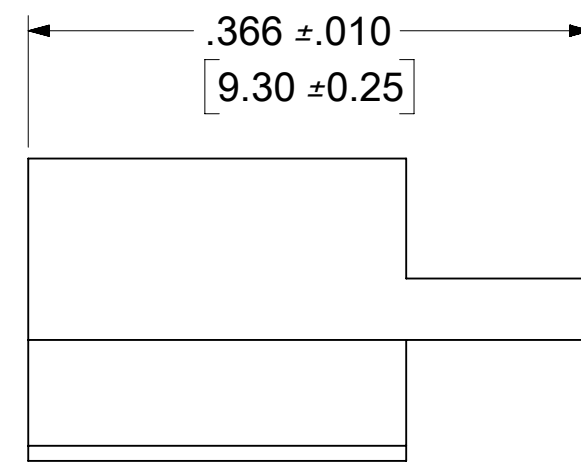
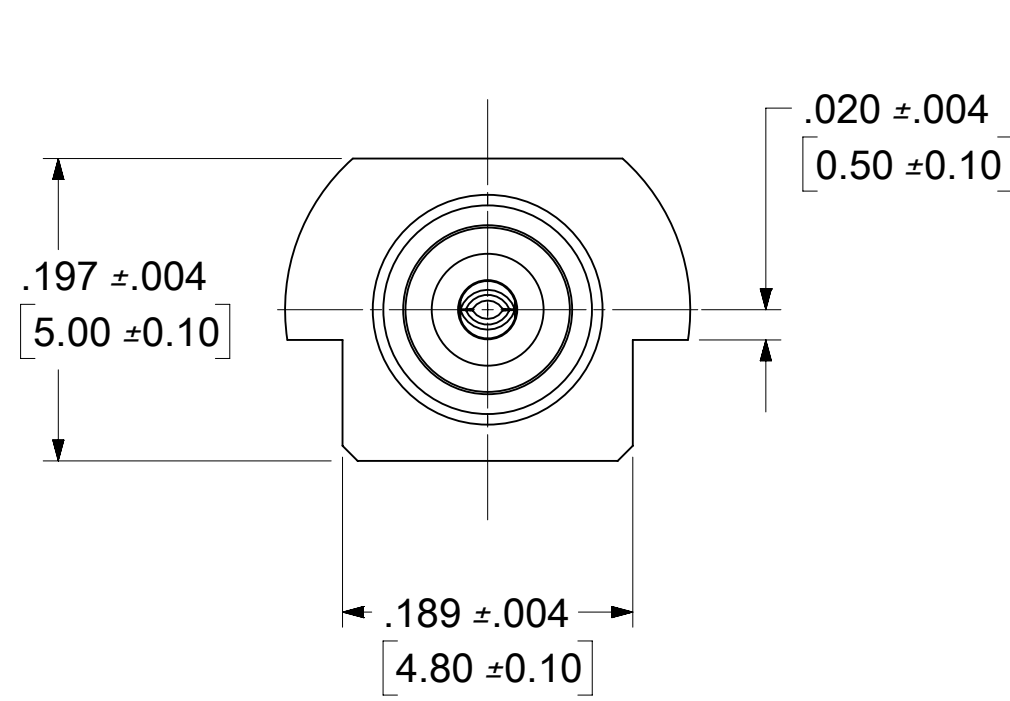
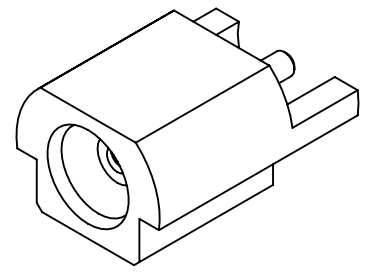
DOCUMENT STATUS	P1	RELEASE DATE	2021/05/07 07:25:25
-----------------	----	--------------	---------------------

MATERIALS AND FINISHES:

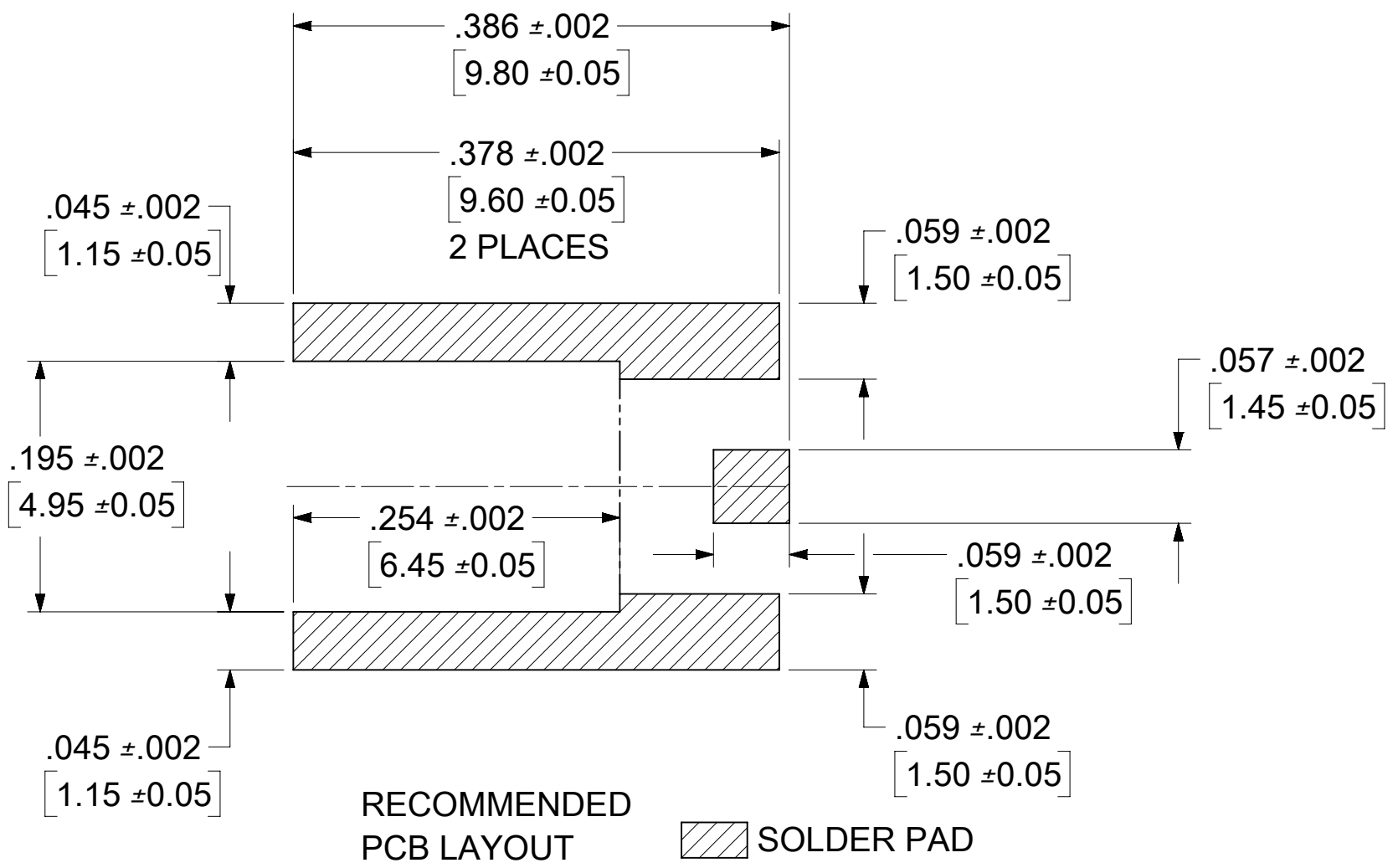
BODY: BRASS  
PLATED SEE TABLE

CONTACT: BERYLLIUM COPPER  
PLATED GOLD

INSULATOR: TEFLON



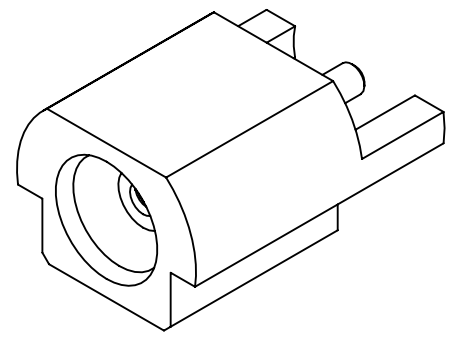
73366-6331	GOLD (30μ")	73415-1061 FOR TAPE SMALL QTY, PER P/N 89542-0391
73366-6330	GOLD FLASH	ONE PIECE, PER BAG PER P/N 89542-0087
73415-1069	GOLD (5μ")	TAPE & REEL, SEE SHEET 2 & 3
73415-1068	GOLD (5μ")	TRAY PER P/N 89542-0040
73415-1067	TRI-M	SMALL TRAY PER P/N 89542-0200
73415-1066	TRI-M	TAPE & REEL, SEE SHEET 2 & 3
73415-1065	TRI-M	TRAY PER P/N 89542-0040
73415-1064	GOLD FLASH	TAPE & REEL, SEE SHEET 2 & 3
73415-1063	GOLD FLASH	TRAY PER P/N 89542-0040
73415-1062	GOLD (30μ")	SMALL TRAY PER P/N 89542-0200
73415-1061	GOLD (30μ")	TAPE & REEL, SEE SHEET 2 & 3
73415-1060	GOLD (30μ")	TRAY PER P/N 89542-0040
PART NO.	BODY PLATING	PACKAGING



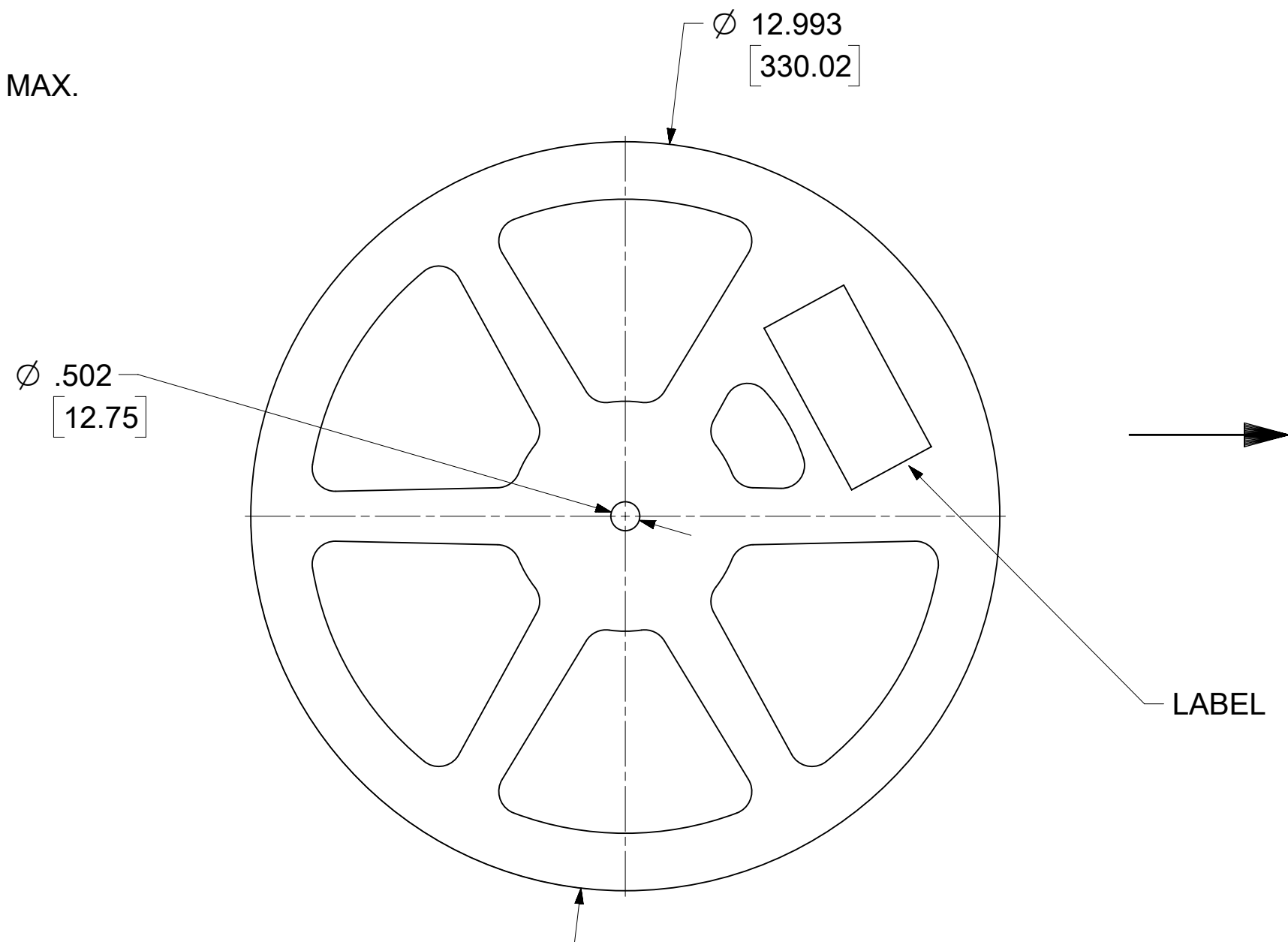
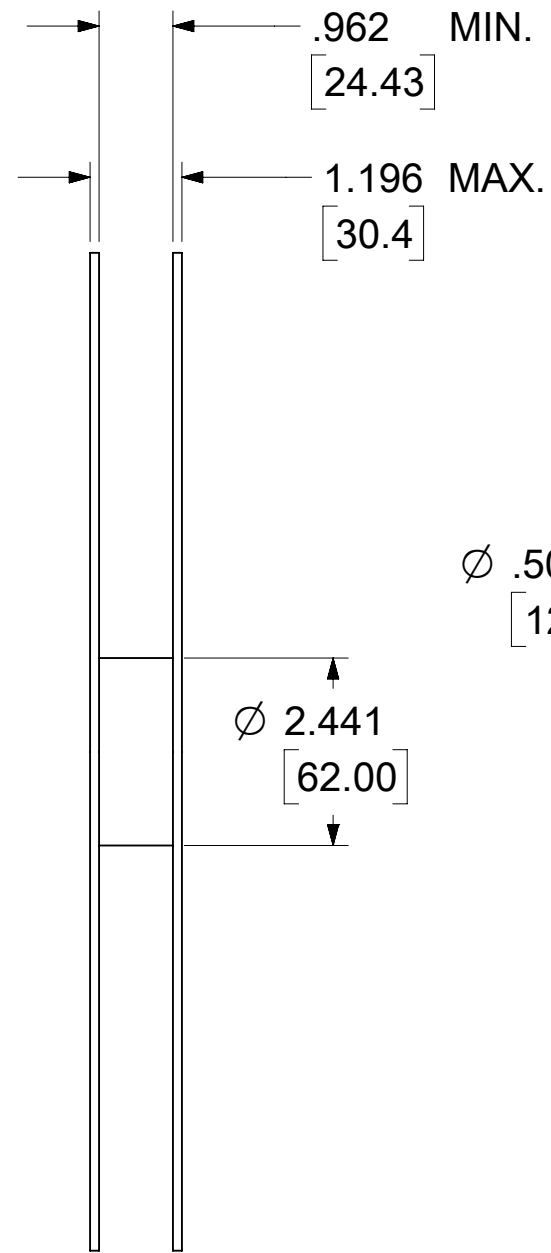
PS-89675-1830	PRODUCT SPECIFICATION
CECC-22-220	INTERFACE
SPECIFICATION	DESCRIPTION

FUNCTIONAL SYMBOLS	THIS DRAWING CONTAINS INFORMATION THAT IS PROPRIETARY TO MOLEX ELECTRONIC TECHNOLOGIES, LLC AND SHOULD NOT BE USED WITHOUT WRITTEN PERMISSION		
	DIMENSION UNITS	SCALE	CURRENT REV DESC: ADD 73366-6331 PER EWR14242-C
FA = 0	IN/MM	NTS	
GENERAL TOLERANCES (UNLESS SPECIFIED)	ANGULAR TOL ± 2.0°		
	4 PLACES	±	
DIVISIONAL SYMBOLS	3 PLACES	±	
	2 PLACES	±	
1 PLACE	±		
0 PLACES	±		
DRAFT WHERE APPLICABLE MUST REMAIN WITHIN DIMENSIONS		THIRD ANGLE PROJECTION	DRAWING SERIES
			C-SIZE 73415
		EC NO: 654526	2021/02/05
		DRWN: CWEI02	2021/02/08
		CHK'D: YCHENG	2021/02/08
		APPR: YCHENG	2021/02/08
		INITIAL REVISION:	
		DRWN: EDC	1999/02/15
		APPR: GMH	1999/02/15
DOCUMENT NUMBER		DOC TYPE	DOC PART
SD-73415-106		PSD	001
MATERIAL NUMBER		CUSTOMER	SHEET NUMBER
SEE TABLE		GENERAL MARKET	1 OF 3

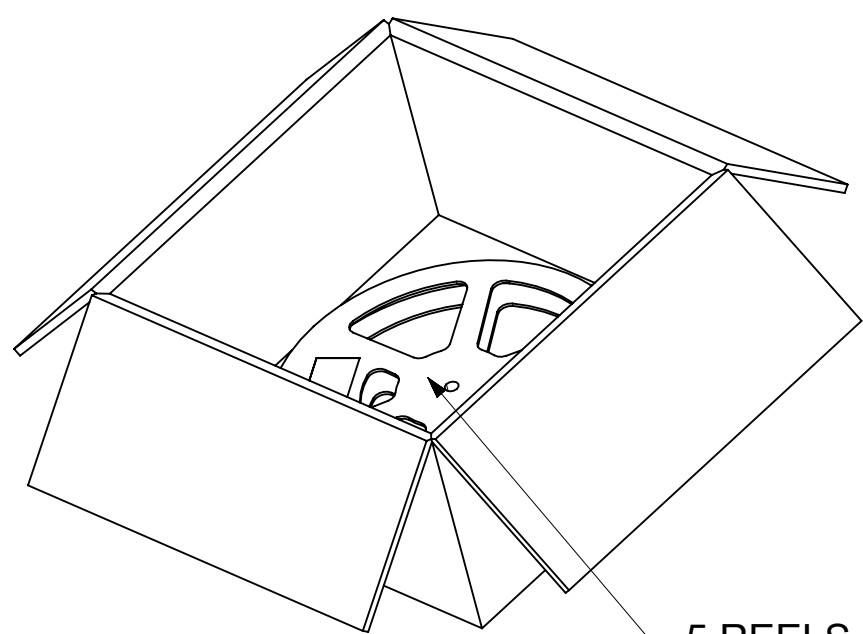




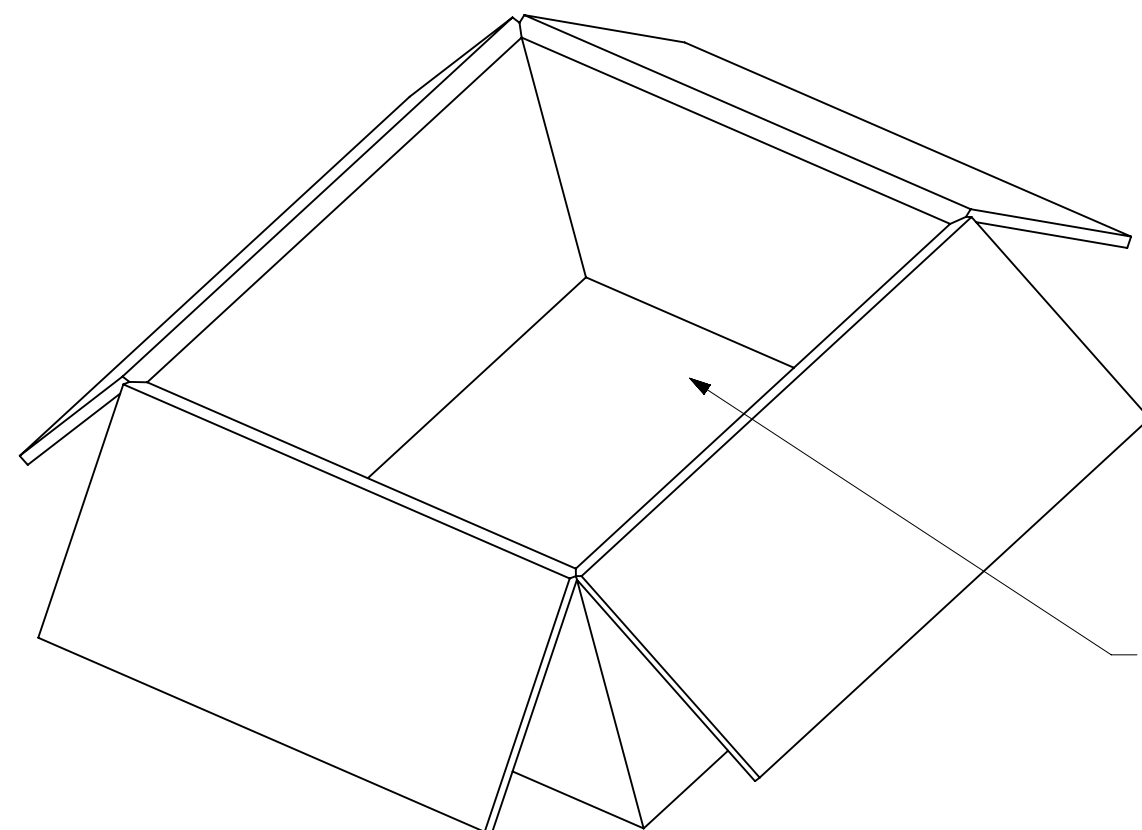
PART NO.: 73415-1061, 73415-1064  
73415-1066, 73415-1069



THE PART PACKAGE 1000 PCS PER ONE REEL



5 REELS (5000 PCS) PACKAGE PER ONE INNER CARTON



ONE INNER CARTON PACKAGE PER ONE OUTSIDE CARTON

<b>FUNCTIONAL SYMBOLS</b> FA = 0 EC = 0 EP = 0 <b>DIVISIONAL SYMBOLS</b>	THIS DRAWING CONTAINS INFORMATION THAT IS PROPRIETARY TO MOLEX ELECTRONIC TECHNOLOGIES, LLC AND SHOULD NOT BE USED WITHOUT WRITTEN PERMISSION		CURRENT REV DESC: ADD 73366-6331 PER EWR14242-C		
	DIMENSION UNITS	SCALE	EC NO: 654526		
	IN/MM	NTS	DRWN: CWEI02	2021/02/05	
	GENERAL TOLERANCES (UNLESS SPECIFIED)		CHK'D: YCHENG	2021/02/08	
ANGULAR TOL ± 2.0°		APPR: YCHENG	2021/02/08	PRODUCT CUSTOMER DRAWING	
4 PLACES ±		INITIAL REVISION:		DOCUMENT NUMBER	DOC TYPE
3 PLACES ±		DRWN: EDC		SD-73415-106	PSD
2 PLACES ±		APPR: GMH		001	001
1 PLACE ±		1999/02/15		REVISION	
0 PLACES ±		1999/02/15		A14	
DRAFT WHERE APPLICABLE MUST REMAIN WITHIN DIMENSIONS		THIRD ANGLE PROJECTION	DRAWING	SERIES	MATERIAL NUMBER
			C-SIZE	73415	SEE TABLE
					CUSTOMER
					GENERAL MARKET
					SHEET NUMBER
					3 OF 3