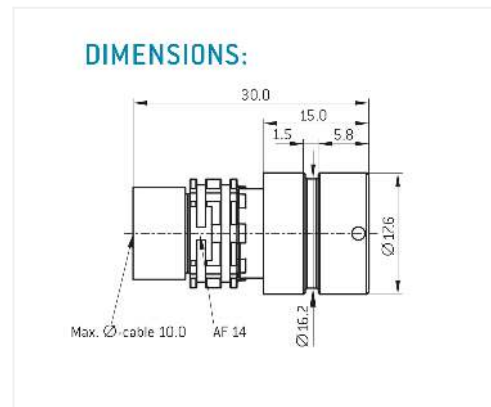
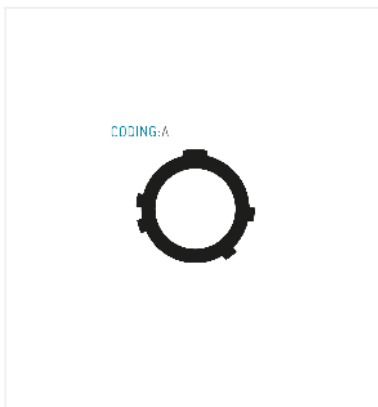


## General information

Part number	K12YAR-P16WCD0-0000
Termination	solder
Size	2
Locking principle	break , push
Coding	a_key_amc
Cable Diameter	cable_amc_2
Cable outlet	overmolding



## Contact insert description

Number of contacts	16
Contact type	sockets
Contact diameter	05mm
Insulator material	peek
Wire cross section	26_awg
Termination	solder
Termination diameter	065mm
Data transmission	hdmi_13

reverse\_gender\_on\_request

## Connection diagram

con\_hdmi\_13

## Technical information

Nominal current single contact	05_a	iec_60512_5_2
Nominal current insert	2,5 A	vde_0298_4
Test voltage	12_kv_ac	eia_364_20f

safety\_text

## Mechanical and environmental data

Degree of protection*	ipsk8_ip6k9k
Operating temperature	51_125_c
Mating cycles	5000

mated

## Material and surface treatments

Housing	ruthenium
Contact	cu_alloy_gold

data\_text

safety\_text\_2

data\_text

ul\_text

illustrative\_text