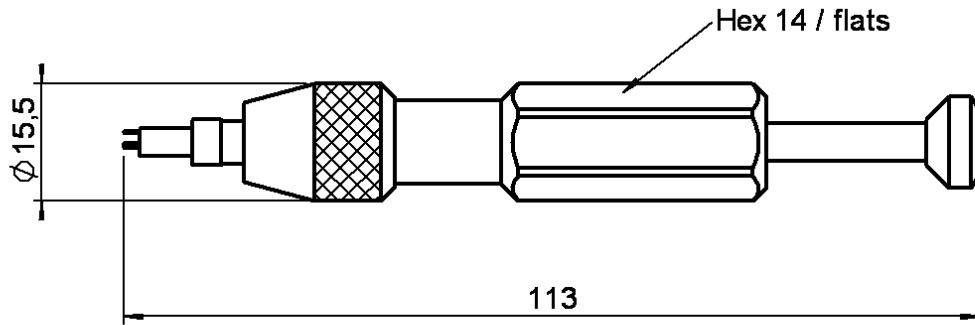


EXTRACTOR MCC2 FEMALE

R282.920.100

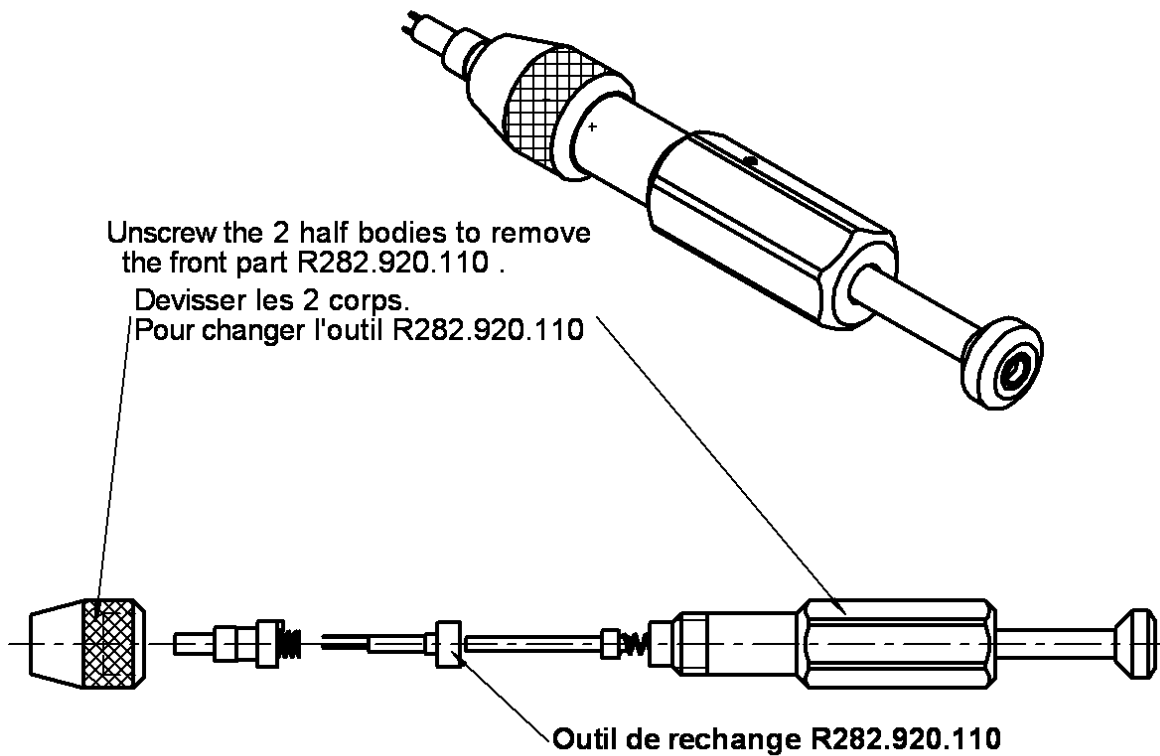
Series : **OUT**



Unscrew the 2 half bodies to remove the front part R282.920.110 .

Devisser les 2 corps.

Pour changer l'outil R282.920.110



BODY TOOL : ALUMINIUM ALLOY + BLACK ANODISATION



Issue : 0115 F

In the effort to improve our products, we reserve the right to make changes judged to be necessary.



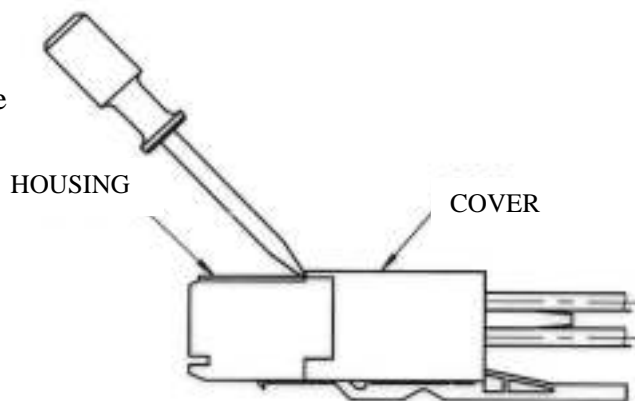
EXTRACTOR MCC2 FEMALE

R282.920.100

Series : **OUT**

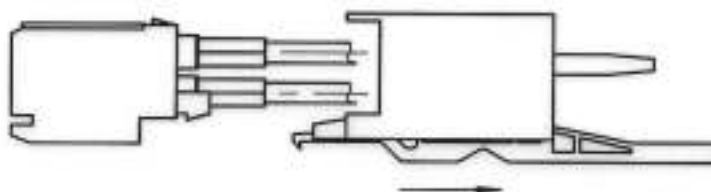
1

Use a screw-driver to remove the cover from the housing as shown .



2

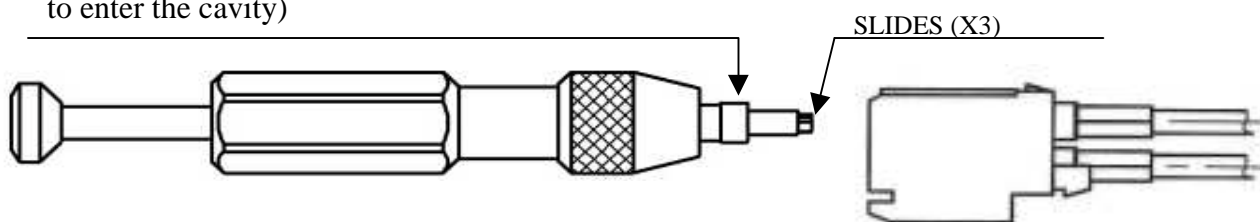
Slide the cover along the cable



3

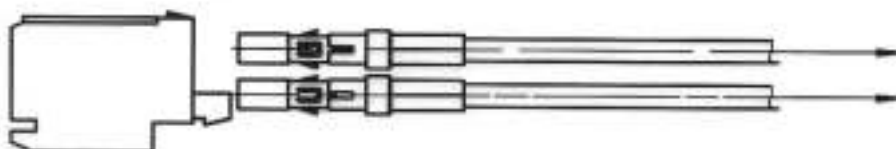
Place the extraction tool with the marker point facing up (as shown) and push in axial direction into the housing till it stops , then push gently on the black knob , this will push the contact out from the rear of the housing .

Marker point on the top (this will position the 3 slides to enter the cavity)



4

Remove the connectors from the housing



Issue : 0115 F

In the effort to improve our products, we reserve the right to make changes judged to be necessary.

