

4

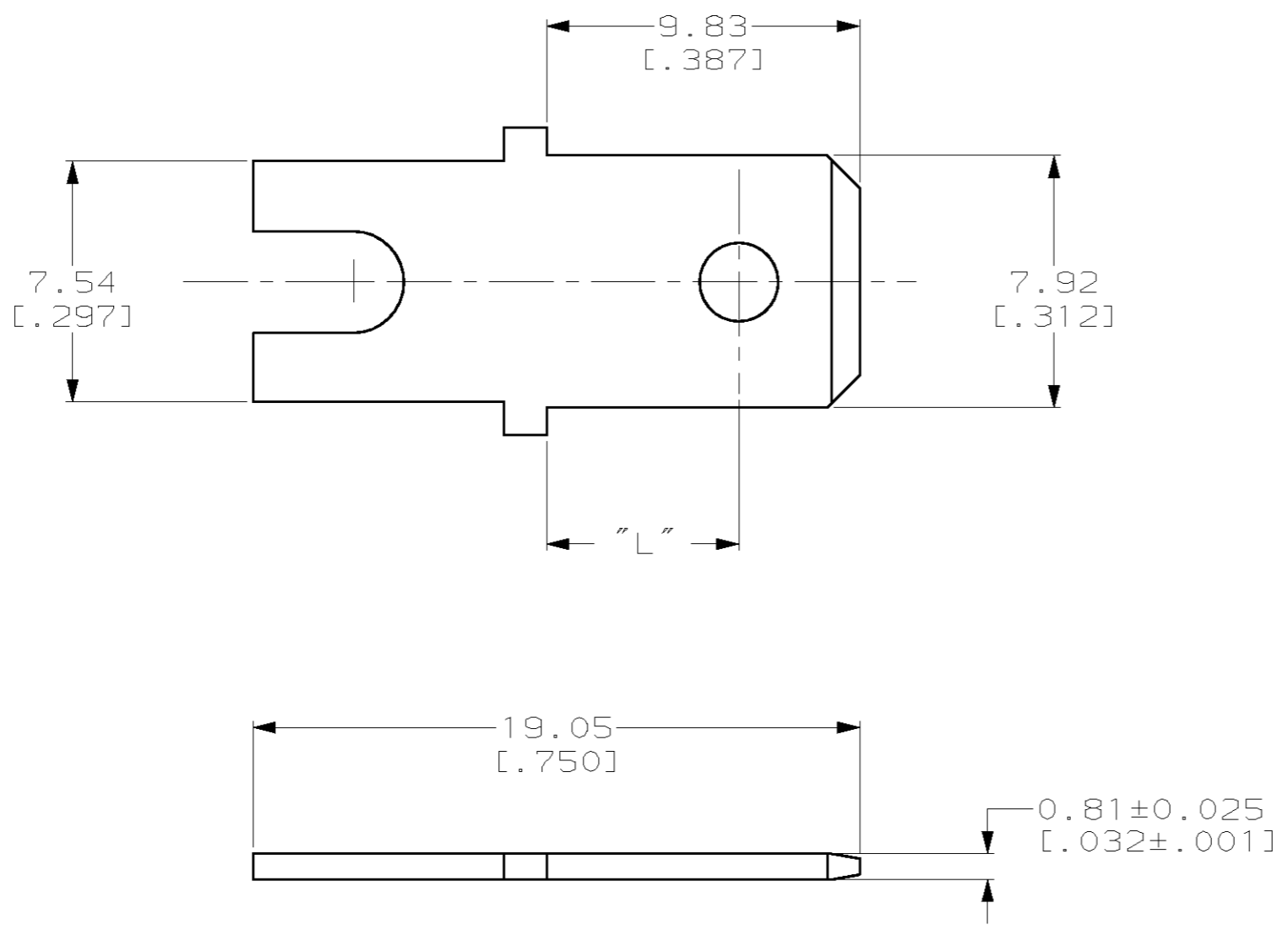
3

2

1

THIS DRAWING IS UNPUBLISHED. RELEASED FOR PUBLICATION, 19 .
© COPYRIGHT 19 BY AMP INCORPORATED. ALL RIGHTS RESERVED.

LOC	DIST	REVISIONS				
P	LTR	DESCRIPTION	DATE	DWN	APVD	
AF	50	E	REV PER 063A-0336-01	30MAY01	JR	ND



1 SUPPLIED IN LOOSE PIECE.

DIMPLE	6.04 [.238]	-	082 BRASS	63402-3
HOLE	4.98 [.196]	0.00127 [.000050] MIN NICKEL	T3 STEEL	63402-2
DIMPLE	6.04 [.238]	0.00127 [.000050] MIN NICKEL	T3 STEEL	63402-1
TYPE	DIM "L"	FINISH	MATERIAL	PART NO.

THIS DRAWING IS A CONTROLLED DOCUMENT.		DWN JR RUTH 5/13/98	AMP Incorporated Harrisburg, PA 17105-3608	
DIMENSIONS: MM [INCHES]		CHK MS FEHER 5/13/98		
TOLERANCES UNLESS OTHERWISE SPECIFIED:		APVD J WORMAN 5/13/98	NAME TAB, FASTON, 7.92 [.312] SERIES	
0 PLC ±- 1 PLC ±- 2 PLC ±0.25 [.010] 3 PLC ±- 4 PLC ±- ANGLES ±-		PRODUCT SPEC -	APPLICATION SPEC -	
MATERIAL SEE TABLE	FINISH SEE TABLE	WEIGHT -	SIZE A3	CAGE CODE 00779
CUSTOMER DRAWING			DRAWING NO C- 63402	RESTRICTED TO -
			SCALE 5:1	SHEET 1 OF 1
			REV E	