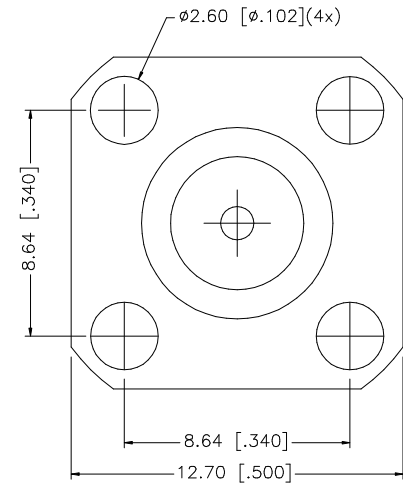
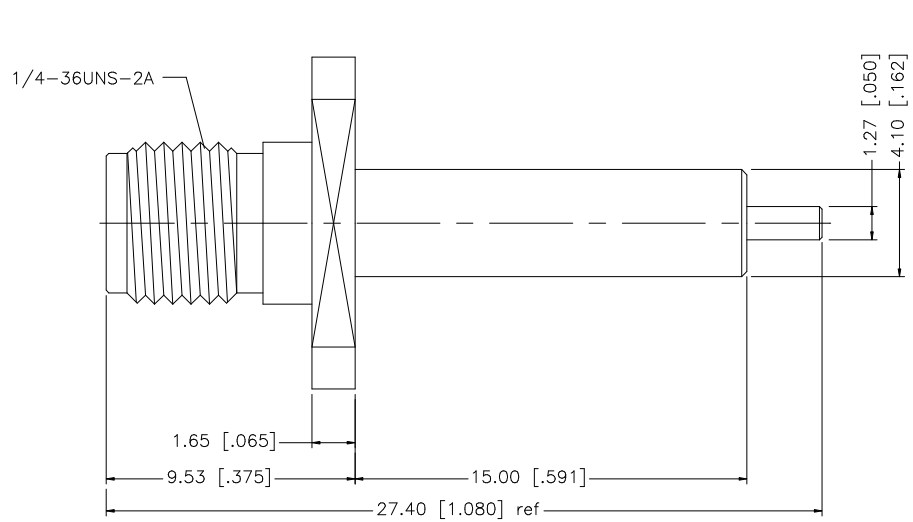


REV.	DATE	DESCRIPTION
A	01/25/04	MODIFY INSULATOR/UPDATE DRAWING FORMAT



8				
7				
6				
5				
4				
3	INSULATOR	TEFLON	NATURAL	2
2	CONTACT PIN	BER. COPPER	GOLD	1
1	HOUSING/BODY	BRASS	GOLD	1
	DESCRIPTION	MATERIAL	FINISH	QTY

UNLESS OTHERWISE SPECIFIED DIMENSIONS ARE IN MILLIMETERS. DIMENSIONS IN [] ARE IN INCHES AND FOR CUSTOMER REFERENCE ONLY.

UNLESS OTHERWISE SPECIFIED TOLERANCES FOR MILLIMETERS ARE:
0.5 - 8mm ± 0.20mm
8 - 30mm ± 0.40mm
30 - 120mm ± 0.50mm

UNLESS OTHERWISE SPECIFIED TOLERANCES FOR INCHES ARE:
.020 - .315 = ± 0.007"
.315 - 1.180 = ± 0.015"
1.180 - 4.724 = ± 0.020"

DO NOT SCALE DRAWING

APPROVALS	DATE
DRAWN G.R.S.	01/25/04
CHECKED	
ISSUED	
SHEET 1 OF 1	
CAD FILE	C:/132/132146.DWG

Amphenol Connex

PART DESCRIPTION
SMA FOUR (4) HOLE PANEL RECEPTACLE

PART NO. **132146**

DWG. NO. 132146.DWG	REV. A	SIZE A	SCALE NA
---------------------	--------	--------	----------