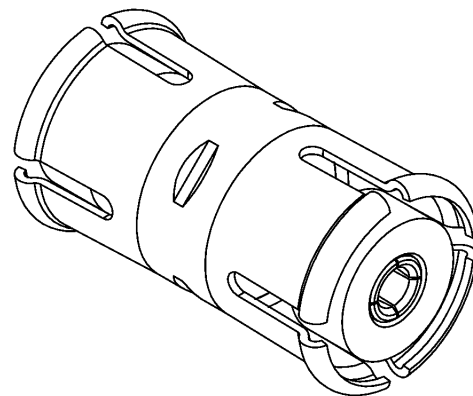
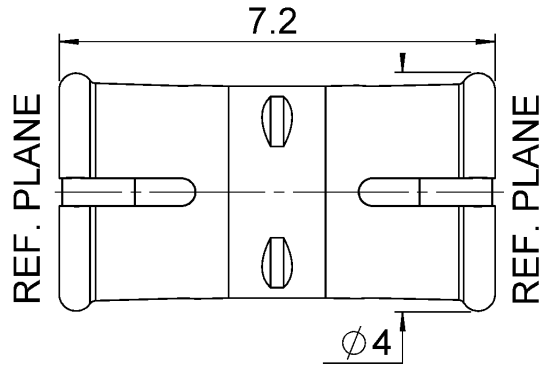

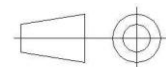


| | | | |
|----------|-----------------|----------------|-------------------------------|
| PAGE 1/3 | ISSUE 08-11-16A | SERIES SMP-MAX | PART NUMBER R222M46032 |
|----------|-----------------|----------------|-------------------------------|




Scale: 1/1

All dimensions are in mm.



| COMPONENTS | MATERIALS | PLATING (µm) |
|----------------|-------------------------|--------------|
| Body | - | - |
| Center contact | BERYLLIUM COPPER | NPGR |
| Outer contact | BERYLLIUM COPPER | NPGR |
| Insulator | PTFE | |
| Gasket | - | |
| Others parts | - | |
| - | - | |
| - | - | |

| | | | |
|----------|------------------------|-----------------------|-------------------------------|
| PAGE 2/3 | ISSUE 08-11-16A | SERIES SMP-MAX | PART NUMBER R222M46032 |
|----------|------------------------|-----------------------|-------------------------------|

PACKAGING

| Standard | Unit | Other |
|------------|-------------------|-------------------|
| 100 | Contact us | Contact us |

ELECTRICAL CHARACTERISTICS

Impedance **50** Ω
 Frequency **0 - 10** GHz
 VSWR (max.) / Return Loss (max.)

| DC - 2 GHz | 2 - 4 GHz | 4 - 6 GHz |
|--------------|--------------|--------------|
| 1.07 / -30dB | 1.12 / -27dB | 1.14 / -24dB |

Insertion loss **< 0.05*** √F(GHz) dB
 RF leakage - (**NA** - F(GHz)) dB
 Voltage rating **335** Veff Maxi
 Dielectric withstanding voltage **1000** Veff mini
 Insulation resistance **5000** MΩ mini

MECHANICAL CHARACTERISTICS

Center contact retention
 Axial force – Mating End **7** N mini
 Axial force – Opposite end **7** N mini
 Torque **NA** N.cm mini

Radiall working range **0.0000** mm
 Warning: To ensure a blind mate assembly, please check the pull-in range of the mating receptacle.

Recommended torque
 Mating **NA** N.cm
 Panel nut **NA** N.cm

Mating life **100** Cycles mini
 Weight **0.1700** g

ENVIRONMENTAL

Operating temperature **-55/+165** °C
 Hermetic seal **NA** Atm.cm3/s
 Panel leakage **NA**

SPECIFICATION

OTHER CHARACTERISTICS

Assembly instruction: **NA**

Others:

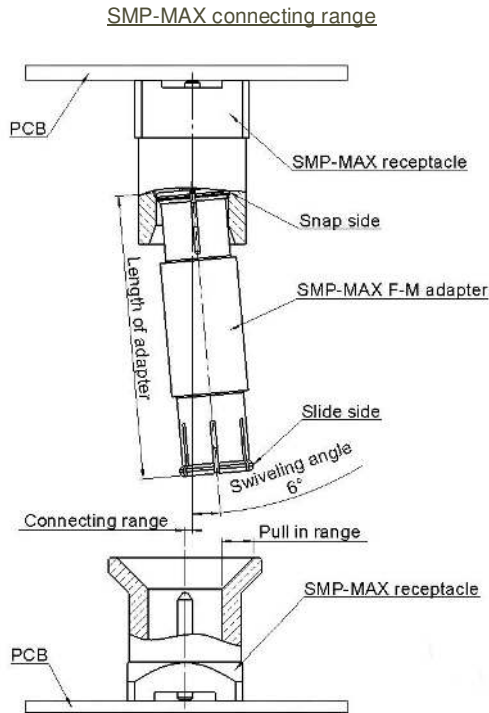
***Coaxial Transmission Line Only**

Radial working angle: 3°min.

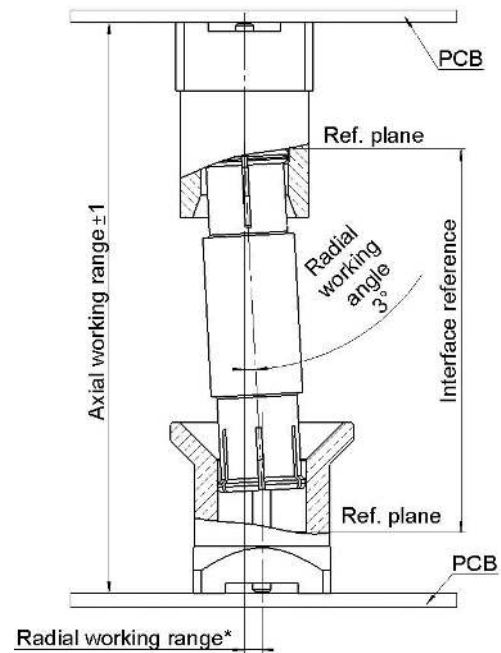
Axial working range: 2.4mm (should be with special receptacle for axial misalignment ±1.2).

| | | | |
|----------|-----------------|----------------|------------------------|
| PAGE 3/3 | ISSUE 08-11-16A | SERIES SMP-MAX | PART NUMBER R222M46032 |
|----------|-----------------|----------------|------------------------|

GENERAL DATA OF SMP-MAX SERIE



SMP-MAX radial and axial working range



The connecting range represents the maximum misalignment during connection.

The swiveling angle is the maximum possible angle of the adapter in a snap receptacle.

A blind assembly is guaranteed if radial misalignment is smaller than connecting range. Otherwise a manual lead-in is necessary.

Electrical performance is achieved when radial and axial misalignments are within their working ranges.

Radial working range = (length of the adapter) x Sinus(radial working angle)

Typical RF performances for a set:

slide receptacle + adapter + snap receptacle (receptacles soldered on boards):

| | | | |
|-----------------------|--|----------------|-----------------|
| V.S.W.R / Return loss | Misalignment | DC - 3 GHz | 3 - 6 GHz |
| | Radial 0°, Axial 0mm | <1.15/-23.9 dB | <1.25/-19.10 dB |
| | Radial 0°, Axial +/-1mm | <1.20/-20.8 dB | <1.35/-16.5 dB |
| | Radial 3°, Axial 0mm | <1.15/-23.1 dB | <1.25/-19.1 dB |
| | Radial 3°, Axial +/-1mm | <1.20/-20.8 dB | <1.35/-16.5 dB |
| Insertion loss | Misalignment | DC - 3 GHz | 3 - 6 GHz |
| | Radial 0°, Axial 0mm | <0.10 dB | <0.15 dB |
| | Radial 0°, Axial +/-1mm | <0.12 dB | <0.25 dB |
| | Radial 3°, Axial 0mm | <0.10 dB | <0.15 dB |
| | Radial 3°, Axial +/-1mm | <0.12 dB | <0.25 dB |
| handling power | >300W@2.7GHz at 25°C; >200W@2.7GHz at 85°C | | |