

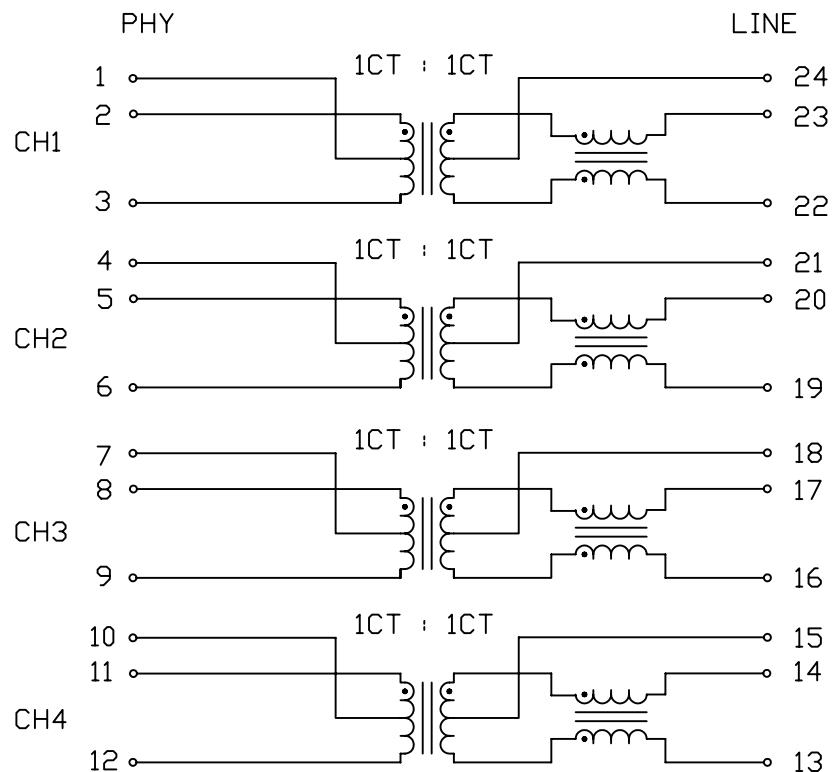
THE INFORMATION CONTAINED HEREIN IS CONSIDERED 'PROPRIETARY' TO BEL FUSE INC. AND SHALL NOT BE COPIED, REPRODUCED OR DISCLOSED WITHOUT THE WRITTEN APPROVAL OF BEL FUSE INC.

RoHS



ELECTRICAL SPECIFICATION @25°C

SCHEMATIC



TURNS RATIO

(2-1-3) : (23-24-22) 1CT : 1CT  
 (5-4-6) : (20-21-19) 1CT : 1CT  
 (8-7-9) : (17-18-16) 1CT : 1CT  
 (11-10-12) : (14-15-13) 1CT : 1CT

POLARITY

CH1, CH2 2°&23°, 5°&20°  
 CH3, CH4 8°&17°, 11°&14°

INDUCTANCE

(2-3) = (5-6) = (8-9) = (11-12) 160µH MIN  
 @100kHz, 100mV

INSERTION LOSS

FREQ(MHz)	1	2-50	200	400	500
dB MAX	1.0	0.5	1.0	2.0	3.0

RETURN LOSS

FREQ(MHz)	1	2-100	200	400	500
dB MIN	22	25	22	11	8

COMM. TO DIFF. MODE REJECTION

FREQ(MHz)	50	100	200	300	400	500
dB TYP	48	42	36	33	30	28

DIFF. TO COMM. MODE REJECTION

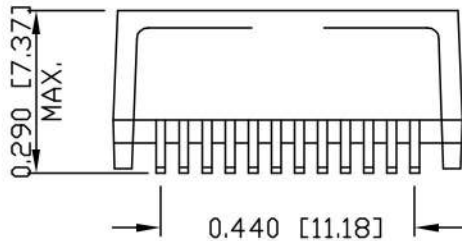
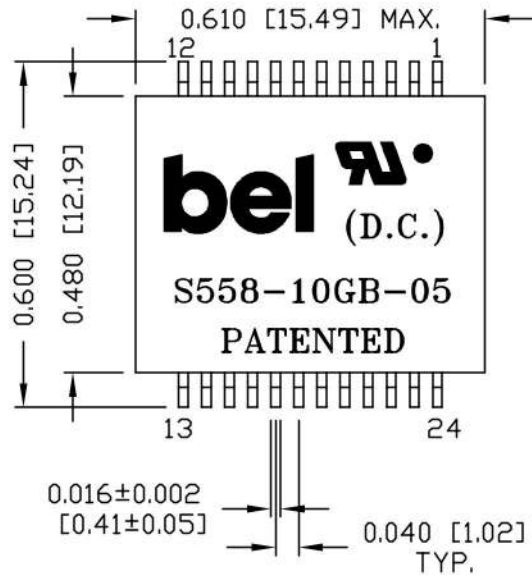
FREQ(MHz)	50	100	200	300	400	500
dB TYP	30	27	24	22	21	20

HIPOT

2250VDC

ORIGINATED BY	DATE	TITLE	PART NO. / DRAWING NO.	STANDARD DIM.	[ ] METRIC DIM. AS REF.	REV. : B	PAGE : 2
Alice Pang	2015-01-22	ELECTRICAL SPECIFICATION	S558-10GB-05	TOL. IN INCH	UNIT : INCH [mm]	 POWER   PROTECT   CONNECT	
DRAWN BY	DATE		FILE NAME	.X	SCALE : N/A		
ZC Guo	2015-01-22		S55810GB05B.DWG	.XX	SIZE : A4		
				.XXX			

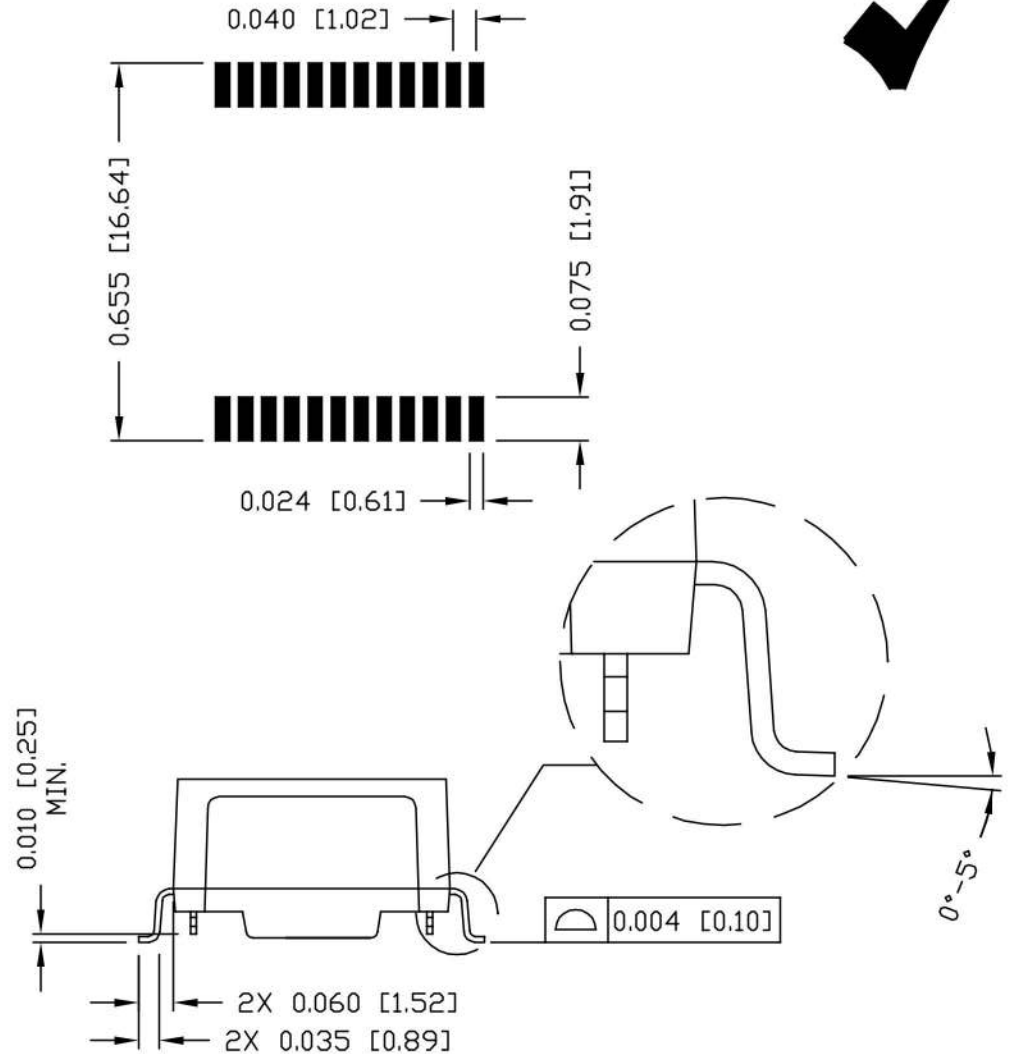
THE INFORMATION CONTAINED HEREIN IS CONSIDERED "PROPRIETARY" TO BEL FUSE INC. AND SHALL NOT BE COPIED, REPRODUCED OR DISCLOSED WITHOUT THE WRITTEN APPROVAL OF BEL FUSE INC.



NOTES:

1. STANDARD MARKING REFER TO DOC. HAND-WORK-04.
2. PACKAGE CODE: "QABS001A".
3. PATENT NO : U.S. PAT. 7429195 ; 7924130

SUGGESTED PCB PAD LAYOUT



ORIGINATED BY	DATE
Lawrence Tsang	2016-01-25
DRAWN BY	DATE
ZC Guo	2016-01-25

TITLE
MECHANICAL SPECIFICATION

PART NO. / DRAWING NO.
S558-10GB-05
FILE NAME
S55810GB05C.DWG

STANDARD DIM.	[ ] METRIC DIM. AS REF.
TOL. IN INCH	UNIT : INCH [mm]
.X	SCALE : N/A
.XX ±0.01	SIZE : A4
.XXX ±0.005	

REV. : C PAGE : 3