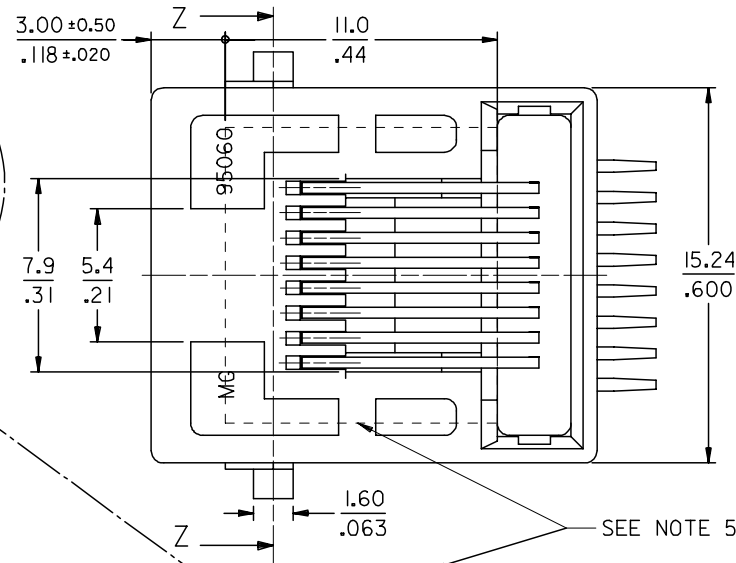
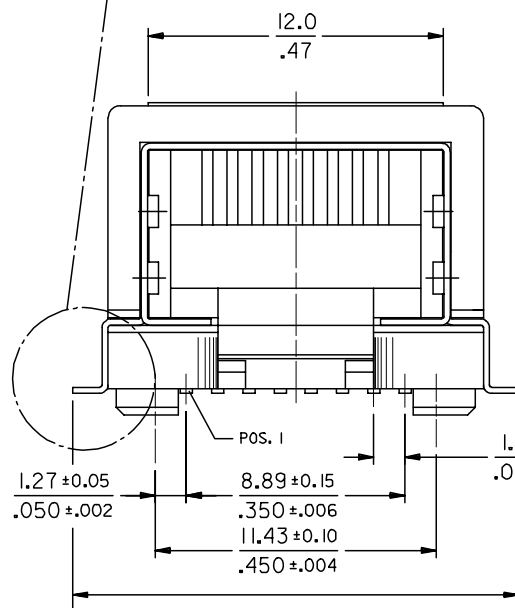
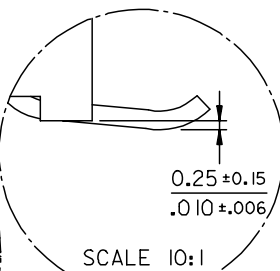
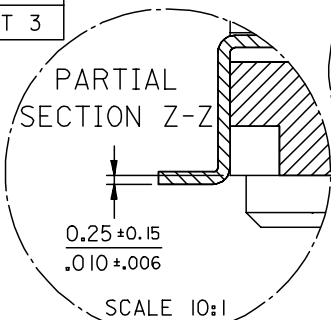
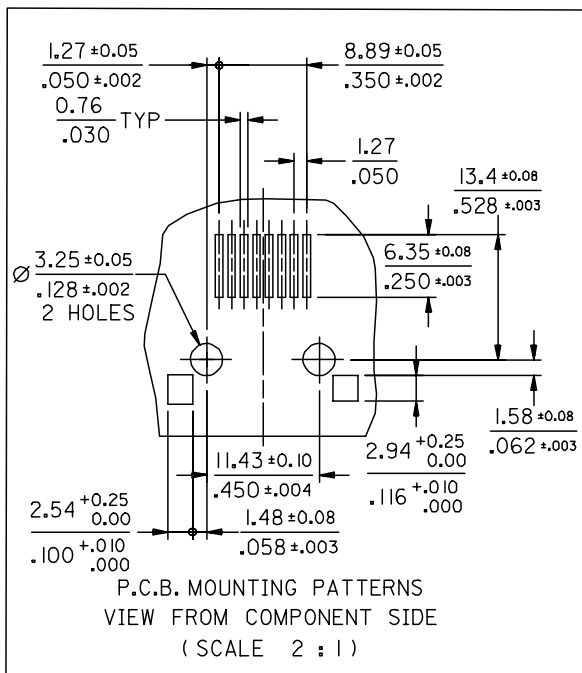


PACKAGING		
PART NUMBER	REEL SIZE	SPECIFICATION
95040-6883	330/13	PK-85502 SHEET 1
95040-6884	559/22	PK-85502 SHEET 3



NOTES:

1. MATERIAL:
 - HOUSING: POLYAMIDE 4/6 GLASS FILLED UL 94V0 COLOR BLACK
 - TERMINAL: COPPER ALLOY PLATED WITH:
 - 0.00127/.000050 MIN GOLD IN CONTACT AREA
 - 0.00190/.000075 MIN PURE TIN IN TAIL AREA
 - BOTH OVER =.00127/.000050 MIN NICKEL OVERALL
 - SHIELD: BRASS PLATED WITH 0.0020/.000078 MIN TIN
- 2- COPLANARITY OF LEADS AND SHIELD TABS: 0.10/.004 MAX.
- 3- PACKAGING SPECIFICATION : BLISTER ON REEL (SEE CHART)
- 4- PRODUCT SPECIFICATION : MOLEX PS-95040-TBD
- 5- KAPTON ADHESIVE FOIL: 0.125/.005 THICK.

MODIFIED SIDE WALLS	EC NO: E2007-0791	DRWN: DBYRNES 2007/03/12	CHKD: 2007/03/12	APPR: EOMAHON 2007/03/14
	REV	DESCRIPTION	QUALITY SYMBOLS	
A		▽ - 0	▽ - 0	

GENERAL TOLERANCES (UNLESS SPECIFIED)	mm	INCH
	4 PLACES ± ---	± ---
	3 PLACES ± ---	± .01
	2 PLACES ± 0.25	± .014
	1 PLACE ± 0.35	± ---
	ANGULAR ± 1/2°	
DRAFT WHERE APPLICABLE		
MUST REMAIN WITHIN DIMENSIONS		

SCALE	DESIGN UNITS	THIRD ANGLE PROJECTION	REVISE ON CAD ONLY
100:10	METRIC	⊙	
DIMENSION STYLE			
MM/IN			
DRAWN BY	DATE	TITLE	
GECHTENA	03/06/13	RIGHT ANGLE LOW PROFILE SHIELDED P.C. JK VERSION SURFACE MOUNT VERSION	
CHECKED BY	DATE	MOLEX INCORPORATED	
ST	03/06/13	MATERIAL NO.	DOCUMENT NO.
APPROVED BY	DATE	SEE CHART	SD-95040-002
SF	03/06/13	SHEET NO. 1 OF 1	

THIS DRAWING CONTAINS INFORMATION THAT IS PROPRIETARY TO MOLEX INCORPORATED AND SHOULD NOT BE USED WITHOUT WRITTEN PERMISSION