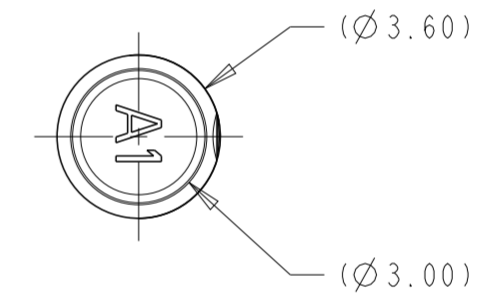
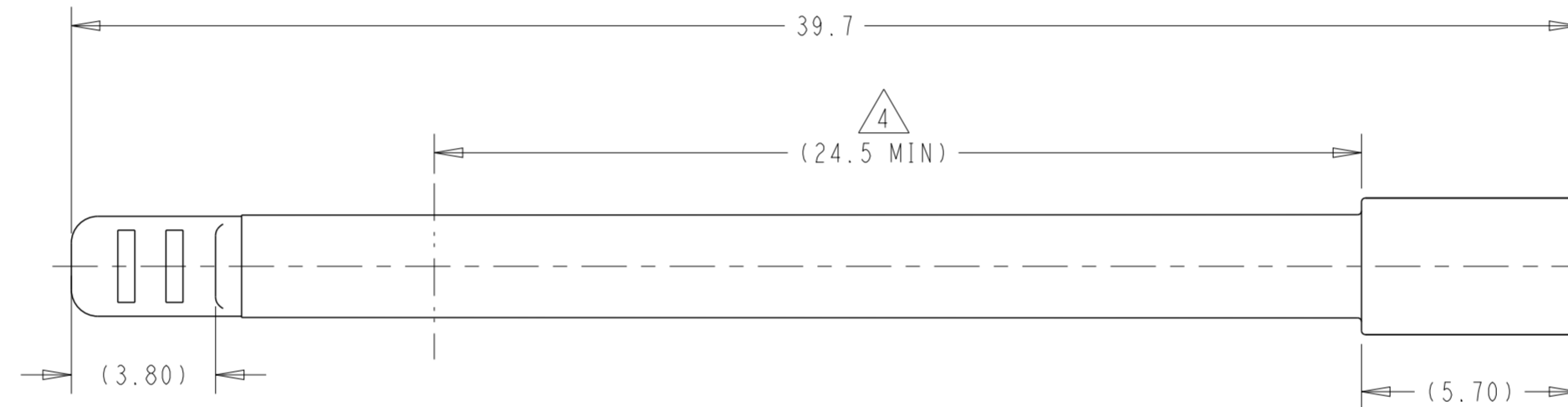
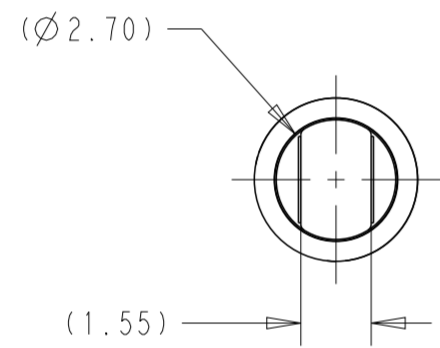


P	LTR	DESCRIPTION	DATE	DWN	APVD
A		REVISED PER ECO-20-016915	02DEC2020	AB	DW

1. PART NUMBER 2373243-1 AS SHOWN ON DRAWING.
2. MATERIAL: PBT, 15% GLASS FILLED.
COLOR: SEE TABLE
3. NOTE DELETED.
4. SEALING SURFACE IN THIS AREA.



NATURAL	CAVITY PLUG, MAT SEAL, MATE-AX, FEMALE	2373243-1
COLOR	DESCRIPTION	PART NO

THIS DRAWING IS A CONTROLLED DOCUMENT.		DWN A. BETGAR 28 JUL 2020	STE TE Connectivity	
DIMENSIONS: mm		CHK D. WISSLER 29 JUL 2020		
TOLERANCES UNLESS OTHERWISE SPECIFIED:		APVD D. BROWN 30 JUL 2020	NAME CAVITY PLUG, MAT SEAL, MATE-AX, FEMALE	
0 PLC	±	PRODUCT SPEC	SIZE	CAGE CODE
1 PLC	±0.4	APPLICATION SPEC	A2	00779
2 PLC	±0.20	WEIGHT	SCALE	DRAWING NO
3 PLC	±	CUSTOMER DRAWING	6:1	G-2373243
4 PLC	±		SHEET	1 OF 1
ANGLES	±1°		REV	A
FINISH	-			