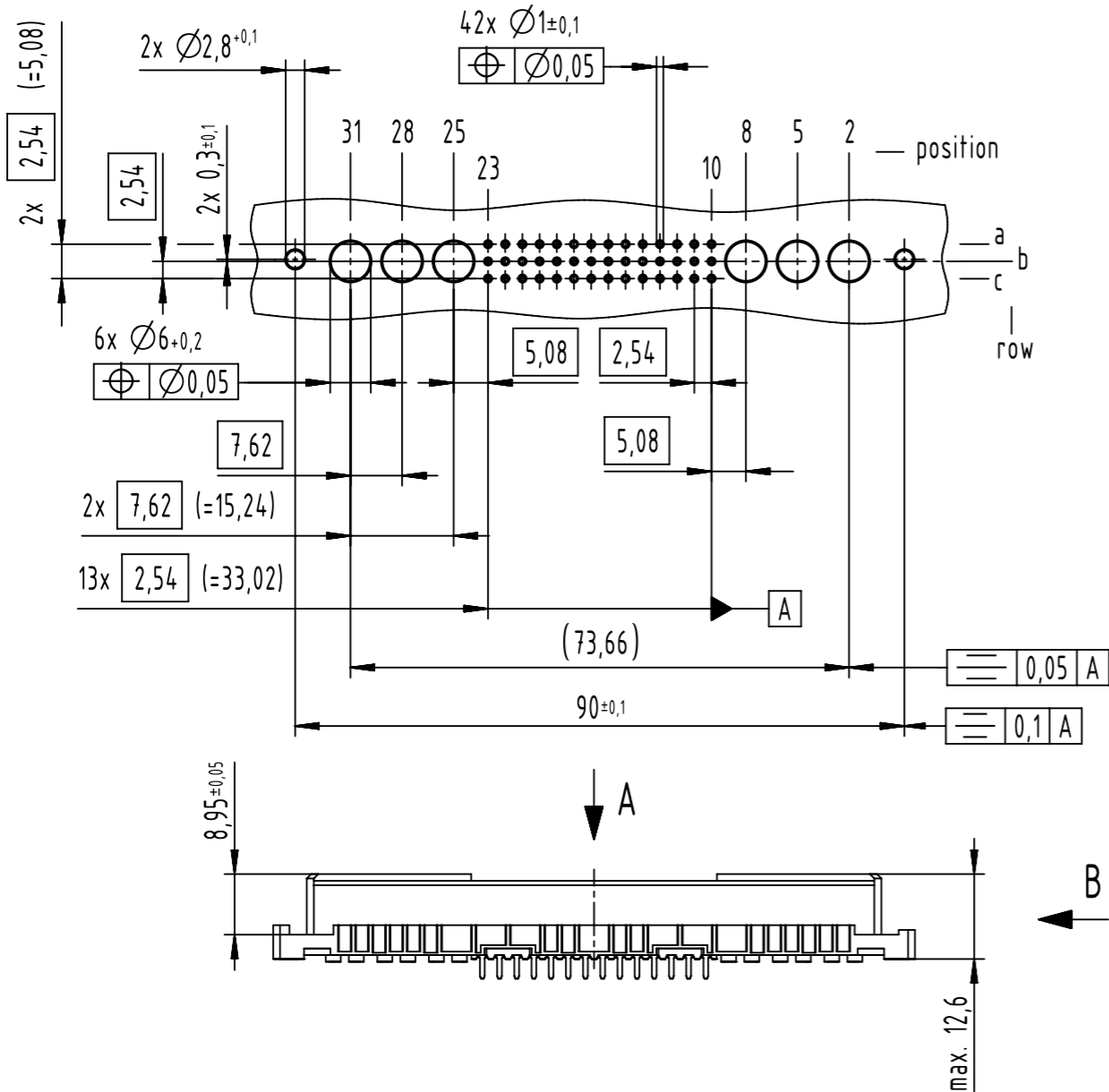
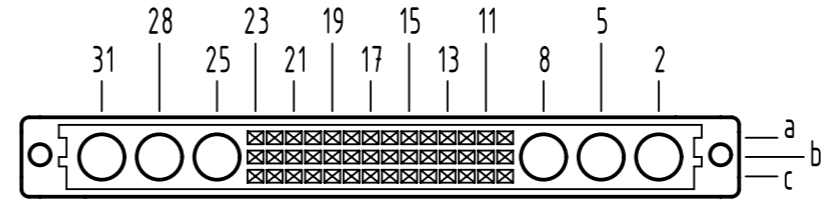


A
board drillings

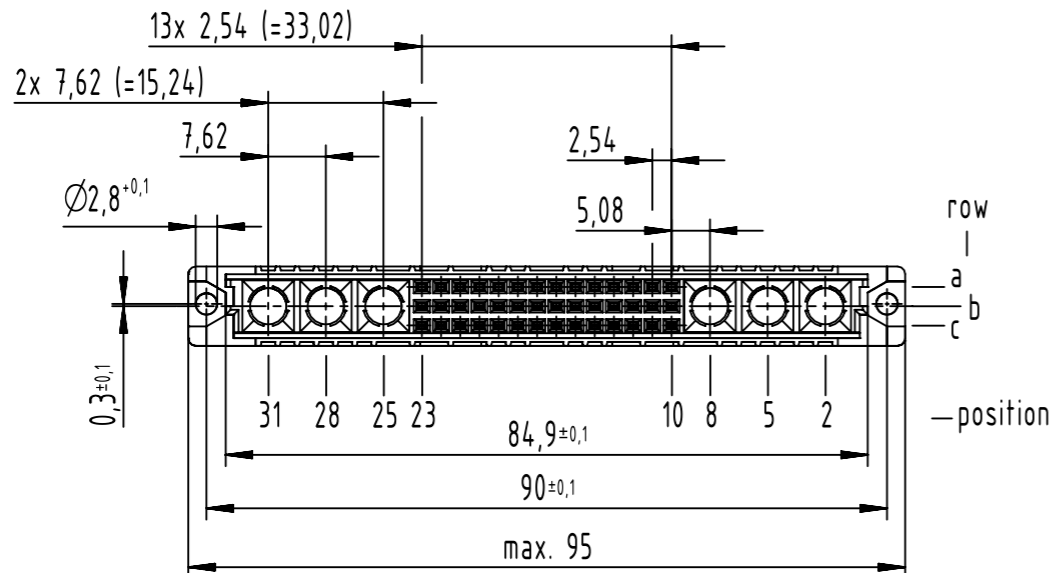
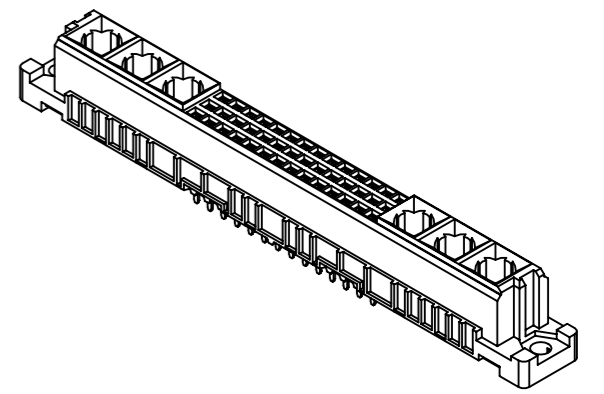
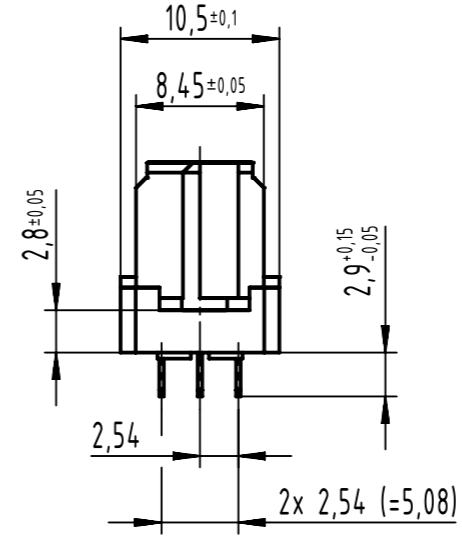


A
contact arrangement



42 solder contacts
 ☒ = solder contact
 ◻ = position without contact

B (2:1)



further information see product data sheet

09 03 242 6804	2
part no.	performance level

All rights reserved Department EL PD HARTING D-32339 Espelkamp	All Dimensions in mm Original Size DIN A3	Scale 1:1 Free size tol. IEC 60603-2	Ref. Sub.	Created by STORCK	Inspected by LEHNERT	Standardisation	Date 2021-09-23	State Final Release
	Title DIN Signal type M42+6 female solder 2.9 42-pole							Doc-Key / ECM-Nr. 100072218/UGD/038/E 50000202700
		Type TB	Number 0903242X804		Rev. E	Page 1/1		