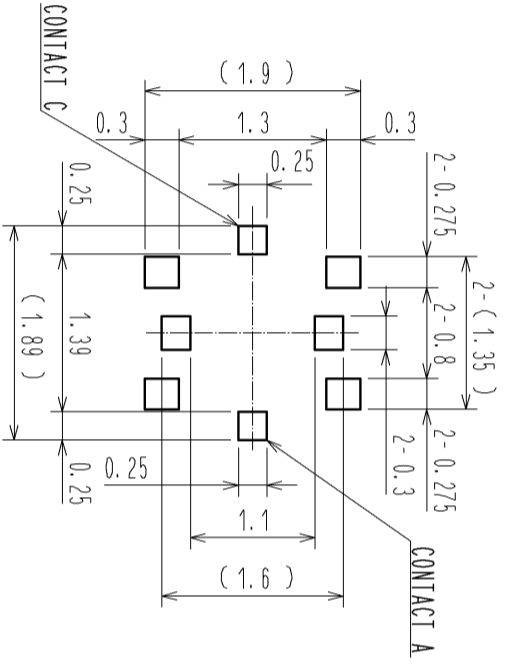
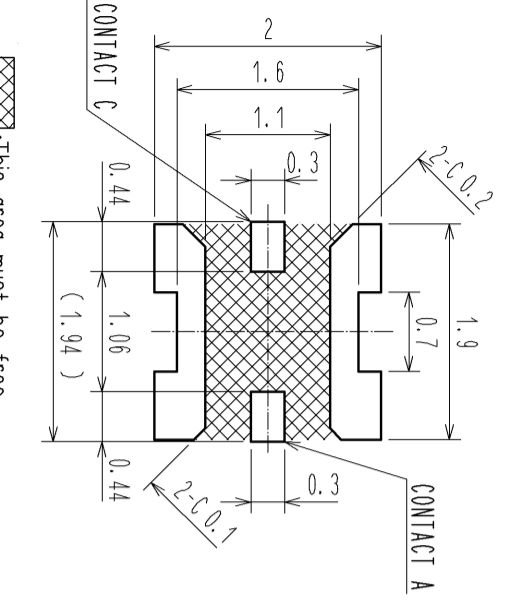
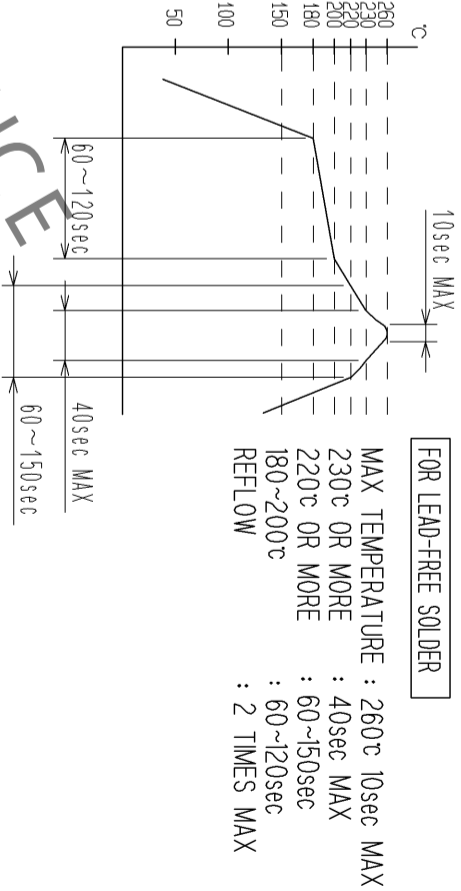


SPECIFIED STENCIL PLATE

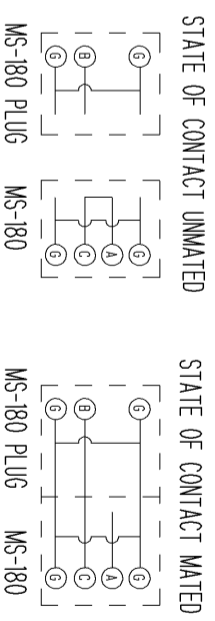
THICKNESS: 0.1mm
 The dimensional tolerance to be ± 0.05.



RECOMMENDED REFLOW TEMPERATURE PROFILE



NOTE 1: Circuit shall be as follows.



2. For use of this product, be sure to put contact area of plug on position P perpendicularly.
3. Lead co-planarity is to be 0.08mm MAX.
4. Do not use the washing process.
5. Please do not change the specified layout of the PCB dimension and the layout of the stencil plate dimension and thickness otherwise could not be responsible for the solderability of the product.
6. This product is intended to be used for circuit inspection only. Consult us if any other application is considered.
7. Do not use hand soldering for mounting of MS-180.

SPECIFIED PCB LAYOUT

The dimensional tolerance to be ± 0.05.

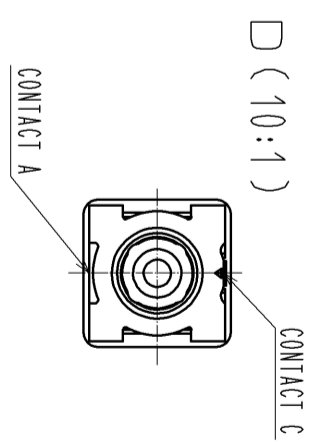
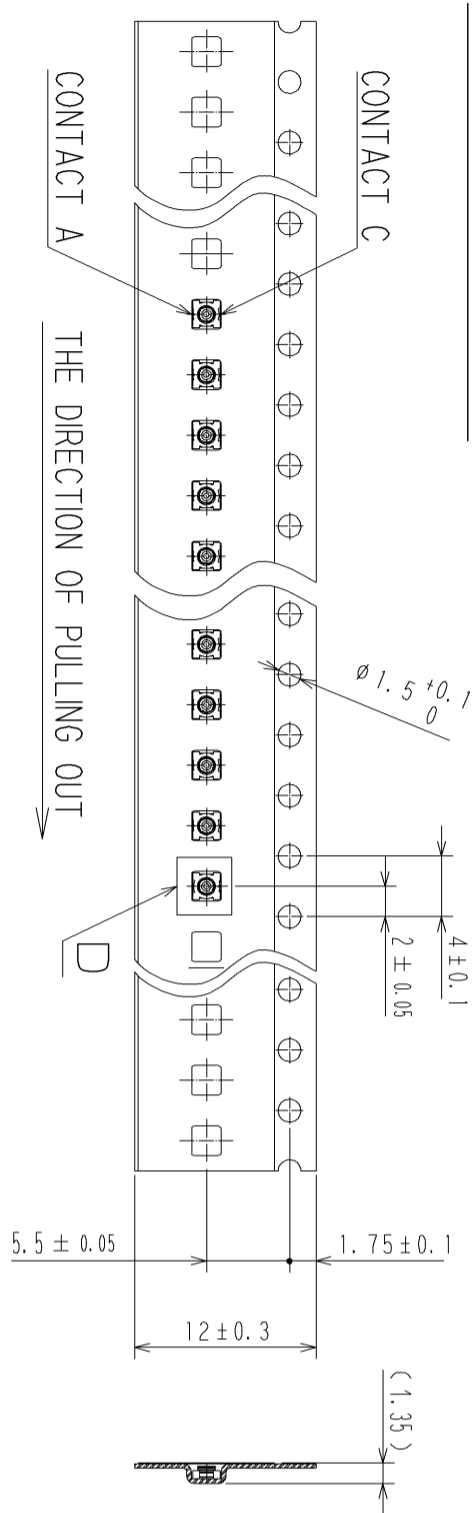
NO.	MATERIAL	FINISH	REMARKS	NO.	MATERIAL	FINISH	REMARKS
1	BRASS	SELECTIVE GOLD PLATING		4	CU-NI-S-ALLOY	SELECTIVE GOLD PLATING	
2	LCP-M			5	PS		
3	CU-NI-S-ALLOY	SELECTIVE GOLD PLATING		6	PS		
7	PS						

UNITS	SCALE	COUNT	DESCRIPTION OF REVISIONS	DESIGNED	CHECKED	DATE
mm	15:1	2	DIS-J-001356	TS. NAKAGAWA	NK. NINOMIYA	11.09.13

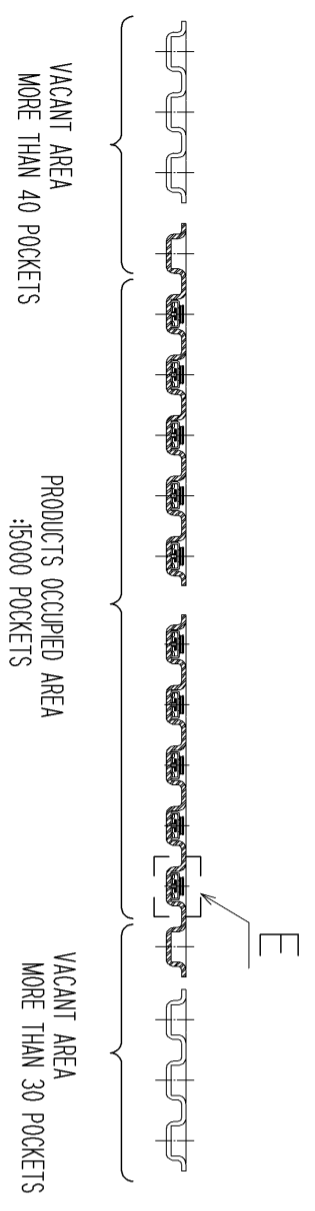
APPROVED	DESIGNED	CHECKED	PART NO.	DRAWING NO.
K.J. KAWAMURA	TS. NAKAGAWA	NK. NINOMIYA	MS-180	EDC3-180771-00

CHECKED	DESIGNED	DRAWING	CODE
TY. OZAKI	TS. NAKAGAWA	EDC3-180771-00	CL358-0265-7-00

PACKAGING SPECIFICATION (2:1)

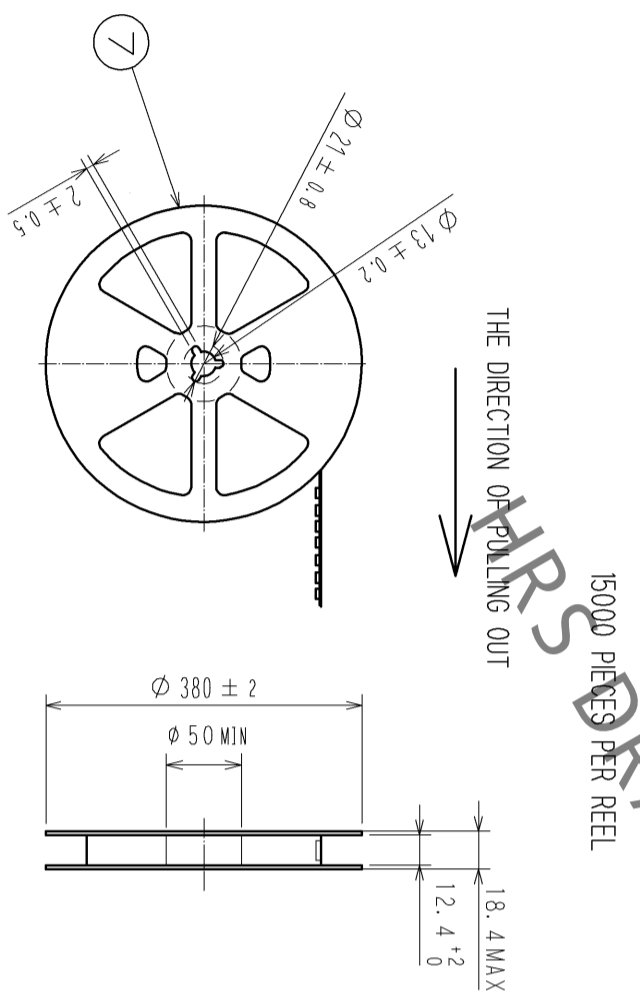


D (10:1)

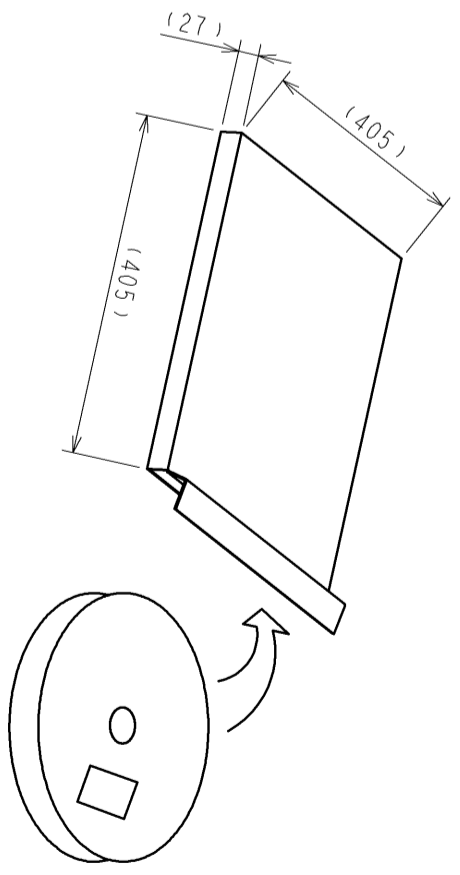


E (10:1)

REEL DIMENSIONS(FREE)



OUTER PACKAGING CASE(FREE)



FORM HC0011-5-8-AN

DRS	DRAWING NO.	EDC3-180771-00
	PART NO.	MS-180
	CODE NO.	CL358-0265-7-00

