



## Passive UHF Transponder Ha-VIS RFID SL 89 (MT)

### Advantages

- Extremely high mechanical protection
- Degree of protection IP 69K
- EPC C1 Gen2 compatible
- Extended memory

### Applications

- Slot tag for integration in metallic objects like barrels, pallets or extruded profiles (slot dimensions 140 x 6 mm)
- Read range (free space, 2 W ERP):  $\geq 4.0$  m

Identification	Part number	Drawing	Dimensions in mm
----------------	-------------	---------	------------------

Passive UHF Transponder  
Ha-VIS RFID SL 89 (MT)

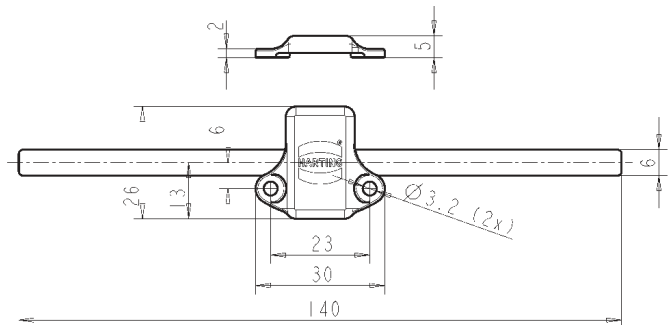
Packaging unit:

10 piece

50 piece

20 92 641 0601

20 92 641 0602



Type	Frequency range	Protocol	Chip	Memory
Ha-VIS RFID ... SL 89 (MT)	860 ... 960 MHz	EPC C1Gen2	Alien Higgs 3	512 Bit

## Technical characteristics

### Temperature range

Operational range (read)	-50 °C ... +85 °C
Operational range (write)	-50 °C ... +85 °C
Storage	-65 °C ... +130 °C

### Housing

Size (W x D x H)	30 x 26 x 5 mm
Degrees of protection	IP 64 / IP 67 / IP 69K
Mounting	M3 screws or rivets with washers
Colour	black
Slot dimensions	140 x 6 mm