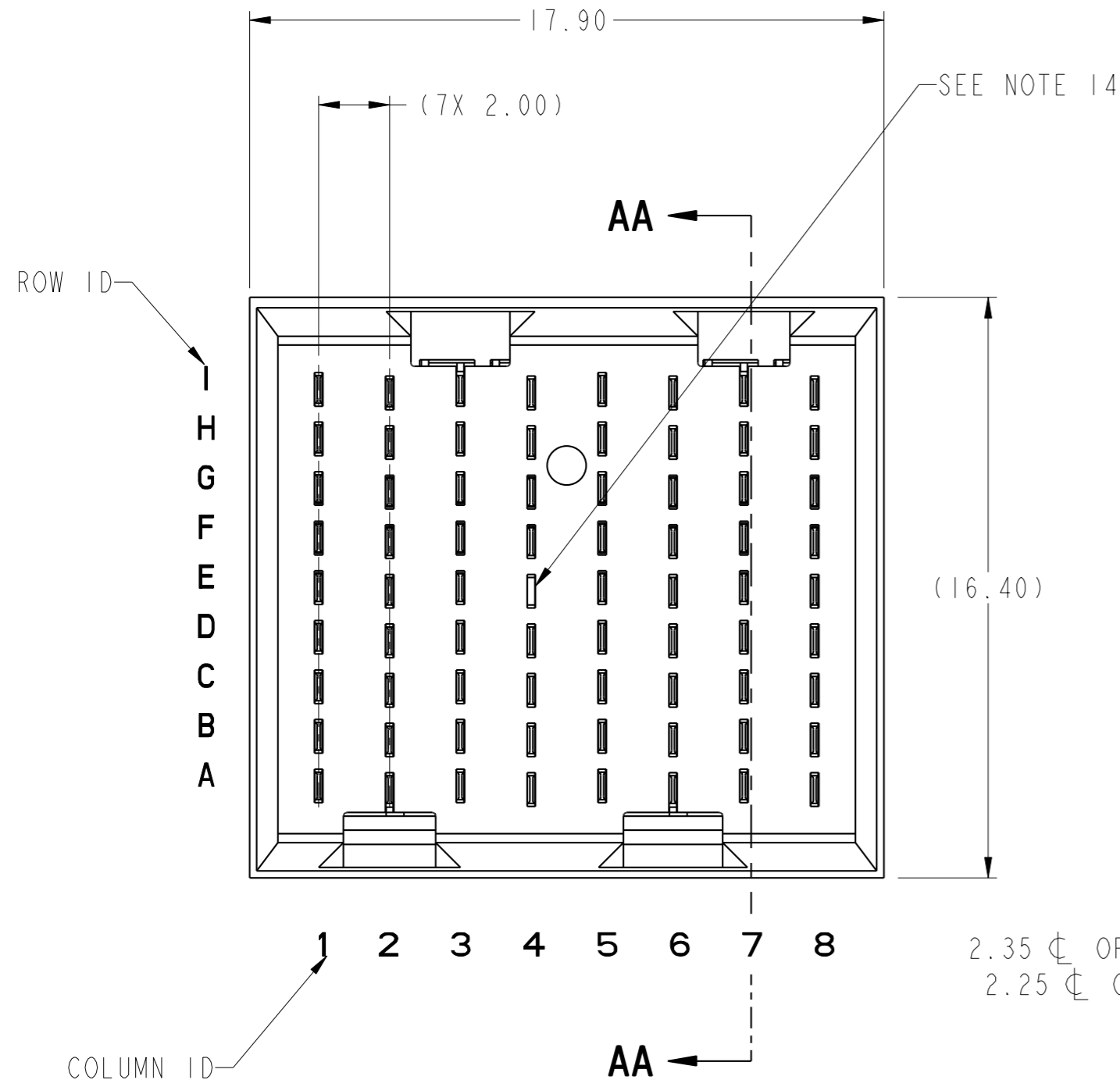
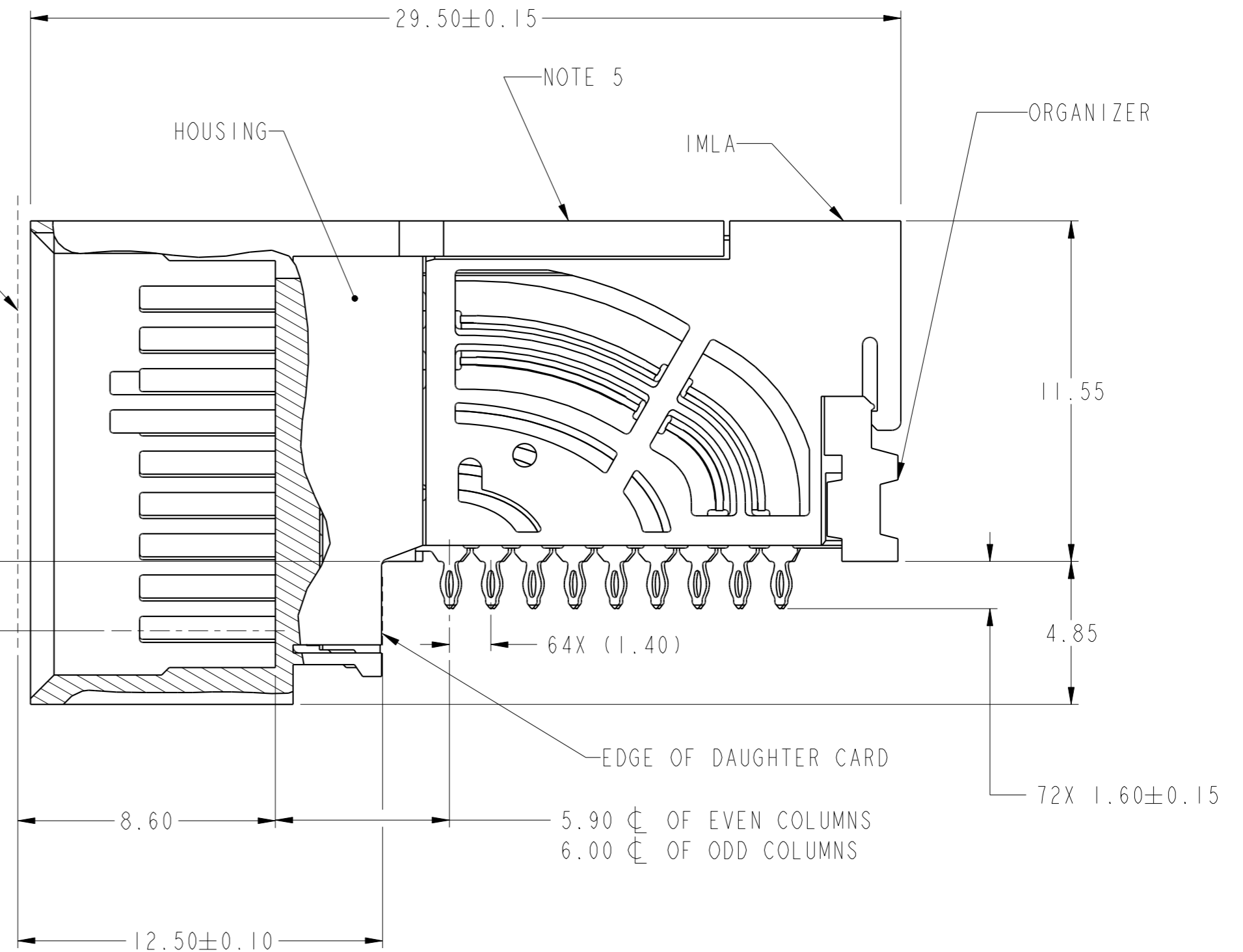


PRODUCT NUMBER
SEE SHEET 3



2.35 ϕ OF EVEN COLUMNS
2.25 ϕ OF ODD COLUMNS



SECTION AA-AA

Amphenol
FCi

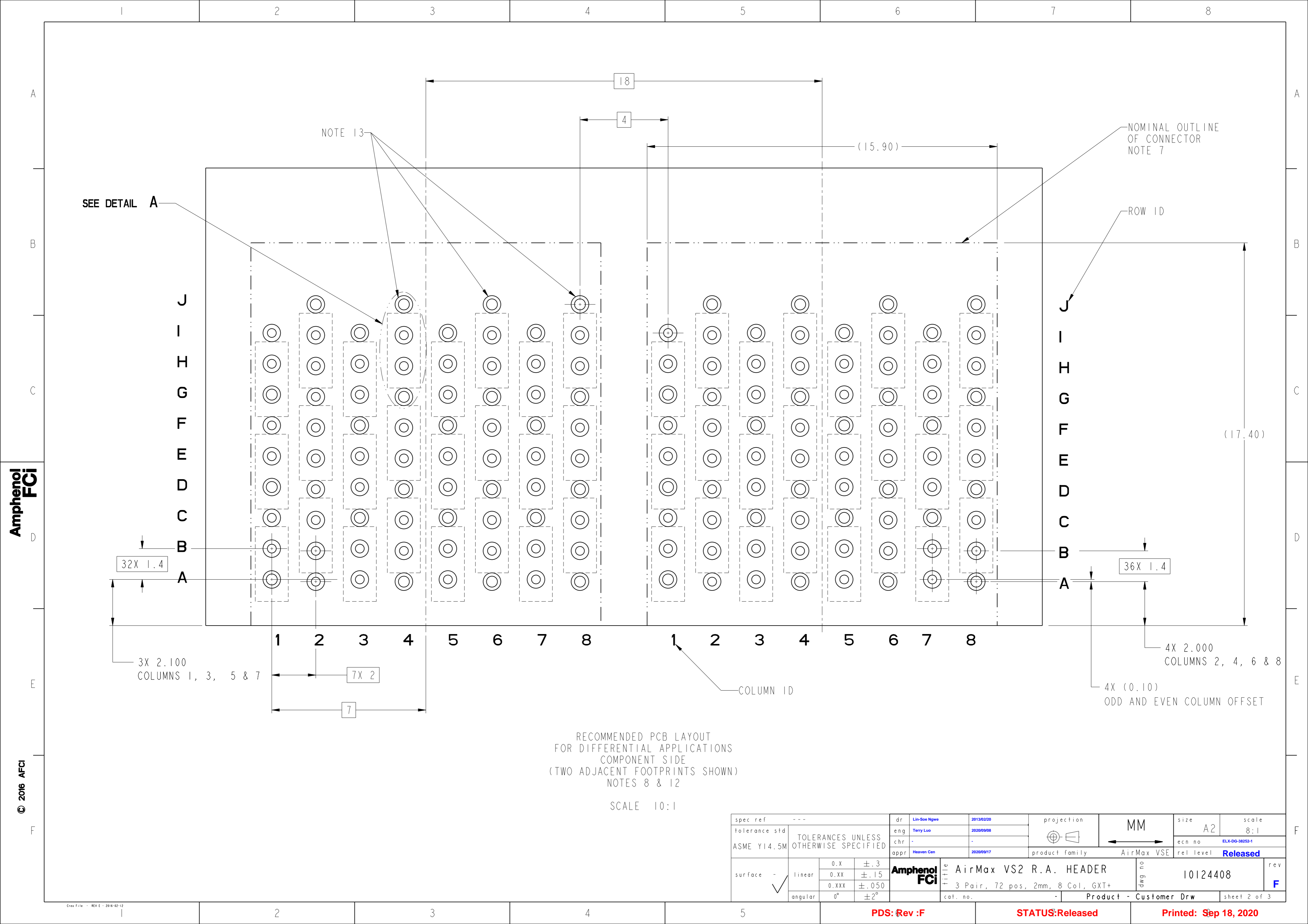
© 2016 AFci

spec ref	---	dr	Lin-Soo Ngwe	2013/02/20	projection	MM	size	A2	scale	6:1	
tolerance std	ASME Y14.5M	eng	Terry Luo	2020/09/08			ecn no	ELX-DG-38252-1			
TOLERANCES UNLESS OTHERWISE SPECIFIED		chr	-	appr			Heaven Cen	2020/09/17	product family	AirMax VSE	rel level
surface	-	linear	0.X	±.3		Amphenol FCI		AirMax VS2 R.A. HEADER		3 Pair, 72 pos, 2mm, 8 Col, GXT+	
			0.XX	±.15		cat. no.	-	Product - Customer Drw	sheet 1 of 3	rev	F
			0.XXX	±.050							
		angular	0°	±2°							

PDS: Rev :F

STATUS:Released

Printed: Sep 18, 2020



NOTE 13

SEE DETAIL A

NOMINAL OUTLINE OF CONNECTOR
NOTE 7

ROW ID

(17.40)

32X 1.4

36X 1.4

3X 2.100
COLUMNS 1, 3, 5 & 7

4X 2.000
COLUMNS 2, 4, 6 & 8

7X 2

4X (0.10)
ODD AND EVEN COLUMN OFFSET

7

COLUMN ID

RECOMMENDED PCB LAYOUT
FOR DIFFERENTIAL APPLICATIONS
COMPONENT SIDE
(TWO ADJACENT FOOTPRINTS SHOWN)
NOTES 8 & 12

SCALE 10:1

spec ref	---	dr	Lin-Soo Ngwe	2013/02/20	projection	MM	size	A2	scale	8:1	
tolerance std	ASME Y14.5M	eng	Terry Luo	2020/09/08			ecn no	ELX-DG-38252-1			
TOLERANCES UNLESS OTHERWISE SPECIFIED		chr	-	appr			Heaven Cen	2020/09/17	product family	AirMax VSE	
surface	✓	linear	0.X	±.3		AirMax VS2 R.A. HEADER 3 Pair, 72 pos, 2mm, 8 Col, GXT+	rel level	Released			
			0.XX	±.15			cat. no.	-	Product - Customer Drw	sheet 2 of 3	
		angular	0°	±2°			rev	F			

PDS: Rev :F

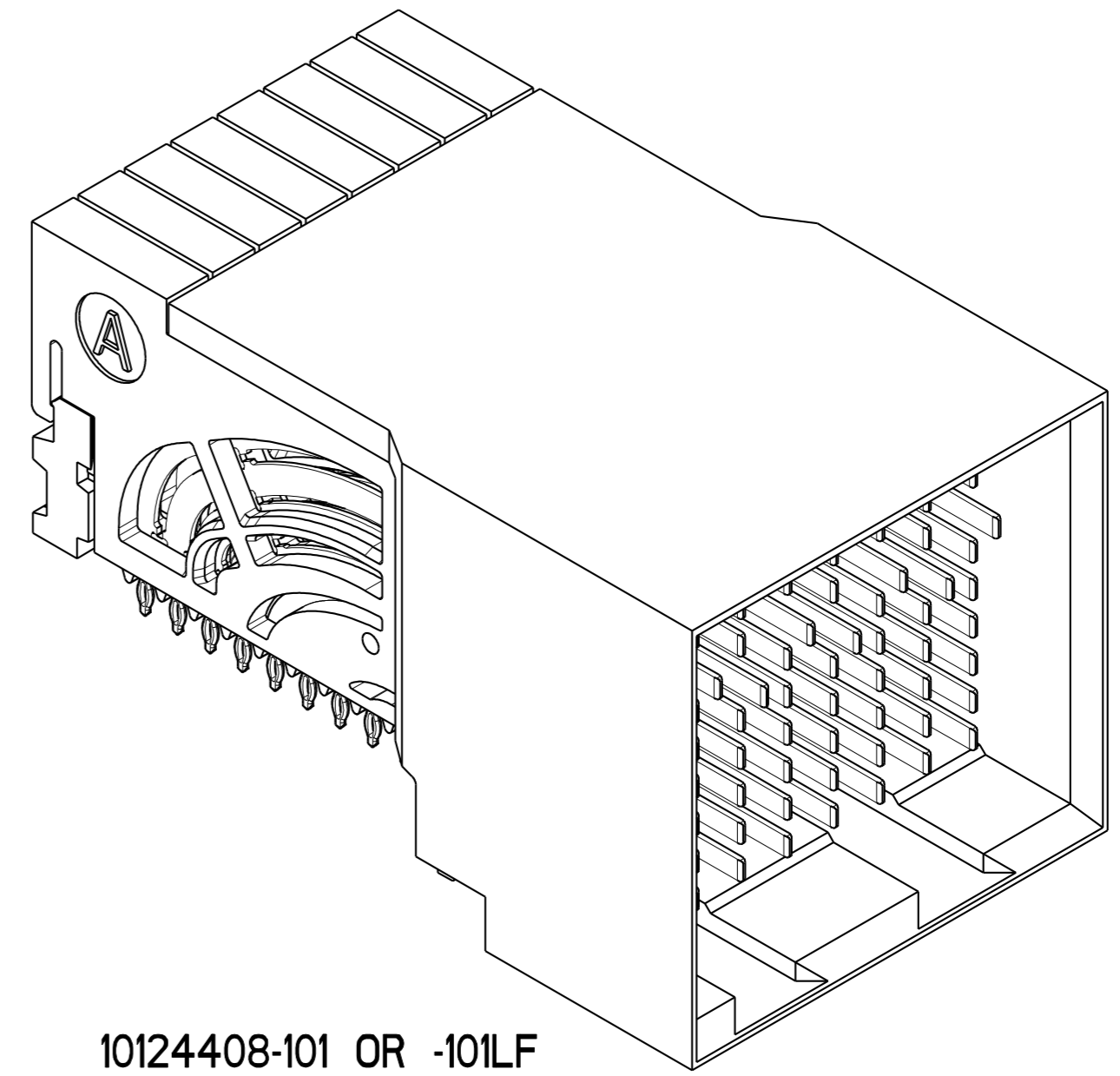
STATUS:Released

Printed: Sep 18, 2020

Amphenol
FCI

© 2016 APCI

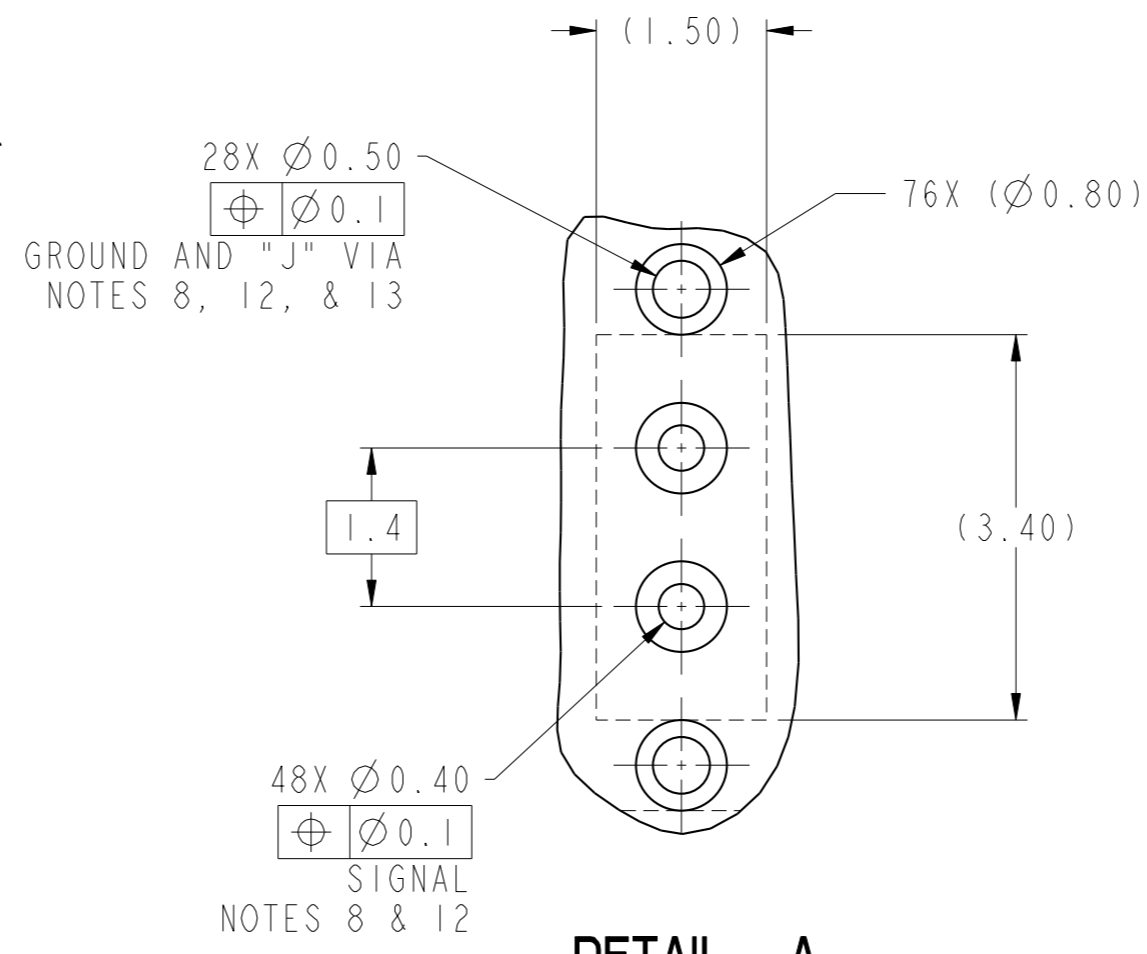
PRODUCT NUMBER	PRESS-FIT TAIL PLATING TYPE	SHORT DETECT CONTACT	REMARKS
10124408-101	TIN/LEAD ALLOY OVER NICKEL	NO	1-SIDED PLATING (CUSTOMER SPECIAL)
10124408-101LF	TIN OVER NICKEL (LEAD FREE)		
10124408-111	TIN/LEAD ALLOY OVER NICKEL	YES (SEE NOTE 14)	
10124408-111LF	TIN OVER NICKEL (LEAD FREE)		
10124408-102	TIN/LEAD ALLOY OVER NICKEL	NO	2-SIDED PLATING
10124408-102LF	TIN OVER NICKEL (LEAD FREE)		
10124408-112	TIN/LEAD ALLOY OVER NICKEL	YES (SEE NOTE 14)	
10124408-112LF	TIN OVER NICKEL (LEAD FREE)		



10124408-101 OR -101LF

- 1 - CONNECTOR MATERIALS:
HOUSING: HIGH TEMP THERMOPLASTIC, NATURAL, UL94-V0
IMLA PLASTIC: HIGH TEMP THERMOPLASTIC, BLACK, UL94-V0
CONTACT: COPPER ALLOY
ORGANIZER: HIGH TEMP THERMOPLASTIC, NATURAL, UL94-V0
- 2 - CONTACT PLATING:
SEPARABLE INTERFACE:
PERFORMANCE-BASED PLATING, QUALIFIED TO MEET THE REQUIREMENTS OF FCI PRODUCT SPECIFICATION GS-12-XXX INCLUDING TELCORDIA GR-1217-CORE (NOVEMBER 1995) CENTRAL OFFICE TEST SEQUENCE

PRESS-FIT TAILS: SEE TABLE
- 3 - PRODUCT SPECIFICATION: GS-12-0956
- 4 - APPLICATION SPECIFICATION: GS-20-0305
- 5 - PRODUCT MARKING, (PROTOTYPE, PART NUMBER & LOT CODE), ON THIS SURFACE.
- 6 - POSITIONS "F" OF ODD NUMBERED COLUMNS AND POSITIONS "G" OF EVEN NUMBERED COLUMNS CORRESPOND TO EARLY MATE HEADER PINS.
- 7 - CONNECTOR OUTLINE MAY BE SCREEN PRINTED ONTO CUSTOMER PCB TO BE USED AS A GUIDE FOR CONNECTOR PLACEMENT.
- 8 - REFER TO CUSTOMER DRAWING 10104444 FOR INFORMATION ON PCB HOLE DIAMETERS AND PLATING OPTIONS
- 9 - LEAD FREE PRODUCT MEETS THE EUROPEAN UNION DIRECTIVES & OTHER COUNTRY REGULATIONS AS DESCRIBED IN GS-22-008
- 10 - A \triangle SYMBOL WILL BE NEXT TO ANY DIMENSION, VIEW, OR NOTE, WHICH HAS BEEN MODIFIED WITH THE CURRENT DRAWING REVISION.
- 11 - PACKAGING MEETS GS-14-920 LEAD FREE LABELING SPECIFICATION.
- 12 - GROUND CONTACTS (C, F, & I IN ODD COLUMNS AND A, D, & G IN EVEN COLUMNS) REQUIRE ($\varnothing 0.50$) FINISHED HOLES. SIGNAL LOCATIONS REQUIRE ($\varnothing 0.40$) FINISHED HOLES
- 13 - THESE OUTER VIAS (J) ARE OPTIONAL. WHILE NO CONNECTOR EONS ARE PRESSED INTO THESE HOLES WE RECCOMEND ($\varnothing 0.500$) FINISHED HOLES AT THESE LOCATIONS TO PROVIDE GROUND SYMMETRY THROUGH THE PCB.
- 14. MATING PIN E4 HAS 0.5mm LESS NOMINAL WIPE THAN THE SHORTEST PIN.



DETAIL A
SCALE 15:1

spec ref	---	dr	Lin-Soo Ngwe	2013/02/20	projection	MM	size	A2	scale	5:1
tolerance std	ASME Y14.5M	eng	Terry Luo	2020/09/08	chr	-	ecn no	ELX-DG-38252-1	rel level	Released
TOLERANCES UNLESS OTHERWISE SPECIFIED		appr	Heaven Cen	2020/09/17	product family	AirMax VSE	rel level	Released		
surface	linear	0.X	$\pm .3$	Amphenol FCI	title		AirMax VS2 R.A. HEADER	dwg no	10124408	rev
		0.XX	$\pm .15$		3 Pair, 72 pos, 2mm, 8 Col, GXT+				F	
		0.XXX	$\pm .050$		cat. no.		Product - Customer Drw		sheet 3 of 3	
	angular	0°	$\pm 2^\circ$	PDS: Rev :F		STATUS:Released		Printed: Sep 18, 2020		

Amphenol
FCI

© 2016 APCI